

Parts Catalog

Atlas

Models: Diesel, Gasoline, & LPG



PREFACE

Thank you for your purchase of the new industry standard for sweepers. PowerBoss® takes great pride in offering the most dependable, reliable and best value in industrial power sweepers and sweeper / scrubbers. We set the standard.

Our Customer Service Department would like to hear from you. If you see any errors, omissions or something that needs clarification in this Parts Catalog please let us know. We are working hard towards continually improving our processes to bring you the best you deserve. Please copy the form below, fill out and comment on how you found our catalog.

Thank you!
The PowerBoss Team

Name: _____

Title: _____

Company Name: _____

Address: _____

Country: _____

Type of equipment or model number: _____

Comments: _____

Please return to:

Customer Service Manager
PowerBoss®, Minuteman International, Inc.
14N845 U.S. Route 20
Pingree Grove, Illinois 60140 USA

Phone: (800) 323-9420

Email: tech@powerboss.com

This is the Parts Catalog for the PowerBoss® Atlas Sweeper machine.

This catalog covers all Standard Atlas machine variations beginning February 2015.

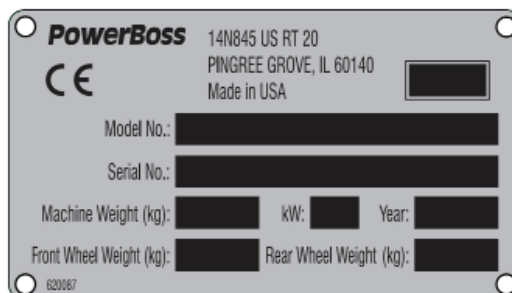
We believe this machine will provide excellent service for many years. Best results will be obtained if:

- The machine is operated with reasonable care.
- The machine is maintained regularly per the maintenance schedule provided in the User Manual.
- The machine is maintained with PowerBoss® supplied or equivalent parts.

All right side and left side references to the machine (except for engine) are determined by facing the direction of forward travel. The front of the engine or engine fan faces the rear of the machine. Some hardware considered to be common or locally available has been omitted from the parts section to make this manual clear. Be sure to use equivalent hardware when replacement becomes necessary.

The Model and Serial Number of your machine is shown on the I.D. name plate. This information is needed when contacting Technical Support or when ordering parts. The I.D. plate is mounted on the left side wall of the operator seating area.

Example ID Plate:



Parts may be ordered by phone, fax or e-mail from any PowerBoss® parts and service center. Before ordering parts or supplies, be sure to have your machine model number and serial number handy. For your convenience Fill out the data block below for future reference.

MACHINE DATA Fill out at installation	
Model Number:	_____
Serial Number:	_____
Engine Serial Number:	_____
Sales Rep.:	_____ Date of Install: _____

All information contained in this catalog is current at the time of printing. Minuteman International, Inc. reserves the right to make changes at any time without notice.

PowerBoss®, Minuteman International, Inc., Copyright 2011-2015, Printed in USA

Atlas Sweeper #4100053 Rev. R 02/24

PowerBoss® Copyright 2011-2015

TABLE OF CONTENTS

PREFACE 2

TECHNICAL SPECIFICATIONS 8

 GENERAL MACHINE SPECIFICATIONS 8

 SWEEPING SPECIFICATIONS 8

PARTS AND CONSUMABLES 10

PARTS BREAKDOWN 14

 FRAME GROUP 1 (600680) 14

 FRAME GROUP 2 (600680) 16

 FRAME GROUP SKIRT COMPONENTS (600680-1) 18

 CLAMP - HOSE GROUP (600860) 20

 CLAMP - HOSE GROUP (600860) 22

 BRAKE GROUP (600688) 24

 FRONT WHEEL GROUP (600687) 26

 STEERING COLUMN GROUP (600682-1) 28

 STEERING FORK GROUP (600690-1) 30

 REAR WHEEL GROUP (600689) 32

 INSTRUMENT PANEL GROUP - DIESEL (600611) 34

 INSTRUMENT PANEL GROUP - GAS (600636) 36

 INSTRUMENT PANEL GROUP - LPG (600700) 38

 ELECTRICAL GROUP - DIESEL (600612) 40

 DIESEL CONTROL BOX (748769) 42

 ELECTRICAL GROUP (600880) 44

 DIRECTIONAL CONTROL GROUP (600681) 46

 PUMP LINKAGE GROUP (600608) 48

 SPEED RESTRICTION GROUP - 1 (600684) 50

 SPEED RESTRICTION GROUP - 2 (600684) 52

 MAIN BROOM LIFT GROUP (600660) 54

 MAIN BROOM GROUP (600632-1) 56

 IDLER ARM GROUP (600631) 58

 MAIN BROOM DOOR GROUP (600640) 60

 SIDE BROOM LIFT GROUP (600665) 62

 SIDE BROOM GROUP W/ SHROUD (620732) 64

 HOPPER LIFT GROUP (600691-1) 66

 HOPPER SAFETY ARM GROUP (600686) 68

 HOPPER ASSEMBLY GROUP (600623) 70

 HOPPER DUMP DOOR GROUP (600622-1) 72

HOPPER COVER GROUP (600625)	74
DUAL FILTER/SHAKER HOPPER GROUP (600702).....	76
CLOGGED FILTER INDICATOR GROUP (600013)	78
FILTER SHAKER TIMER GROUP (600052)	80
BUMPER GROUP (600626)	82
IMPELLER GROUP (600790-1) BEFORE SERIAL NUMBER 23PB1595	84
IMPELLER GROUP (600664-1) SERIAL NUMBER 23PB1595 AND AFTER.....	86
IMPELLER ASSEMBLY (600664)	88
HYDRAULIC RESERVOIR GROUP (600683-1)	90
OIL COOLER GROUP (600609-1)	92
HYDRAULIC PUMP GROUP (600606-1)	94
HYDRAULIC VALVE GROUP (600685-1).....	96
MAIN BROOM INTERLOCK GROUP (600644-1)	98
COVER FRAME GROUP (600780).....	100
TOP COVER GROUP (600760)	102
SIDE DOOR GROUP (600750).....	104
ENGINE COVER GROUP (600661)	106
SEAT AND PUMP COVER GROUP (600610)	108
HYDRAULIC HOSE GROUP (600850-1)	110
RADIATOR GROUP - DIESEL, GAS, LPG (600615).....	112
RADIATOR OVERFLOW GROUP (600602).....	114
BATTERY GROUP (600770)	116
FUEL TANK GROUP - DIESEL (600618)	118
FUEL TANK GROUP - GAS (600634).....	120
LPG TANK GROUP (600710)	122
ENGINE MOUNT GROUP - DIESEL (600657).....	124
ENGINE MOUNT GROUP - GAS (600658)	126
ENGINE MOUNT GROUP - LPG (600659)	128
AIR CLEANER GROUP - DIESEL (600614).....	130
AIR CLEANER GROUP - GAS (600629)	132
AIR CLEANER GROUP - LPG (600605)	134
THROTTLE SOLENOID GROUP - DIESEL (600628).....	136
FUEL COMPONENT GROUP - GAS (600635)	138
EXHAUST GROUP - DIESEL (600671)	140
SINGLE EXHAUST GROUP GAS & LPG (620698).....	142
DECAL GROUP - DIESEL (600643).....	144
DECAL GROUP - GAS (600641).....	146

DECAL GROUP - LPG (600642)	148
DUAL SIDE BROOM (DSB)	150
DSB LH SIDE BROOM GROUP W/ SHROUD DSB (620733)	150
DSB LH SIDE LIFT GROUP (600653-1)	152
DSB HOPPER SKIRTS SEALS GROUP (600701)	154
DSB SWITCH GROUP (600655)	156
DSB BUMPER GROUP (600645)	158
DSB IMPELLER GROUP (600656-1) BEFORE SERIAL NUMBER 23PB1595	160
DSB IMPELLER GROUP (600664-2) SERIAL NUMBER 23PB1595 AND AFTER	162
DSB HYDRAULIC HOSE GROUP (600652-1)	164
DSB HOSE CLAMP GROUP 1 (600647)	166
DSB HOSE CLAMP GROUP 2 (600649)	168
OPTIONS - PARTS BREAKDOWN	170
OPTION - VACUUMIZED SIDE BROOM GROUP (600003)	170
OPTION - VACUUMIZED SIDE BROOM GROUP - (CONT'D)	172
OPTION - DUAL VACUUMIZED SIDE BROOM GROUP - PAGE 1 (600004)	174
OPTION - DUAL VACUUMIZED SIDE BROOM GROUP - PAGE 2 (600004)	176
OPTION - SUSPENSION SEAT GROUP (600005)	178
OPTION - BACKUP ALARM GROUP (600006)	180
OPTION - SAFETY LIGHT, AMBER LIGHT OHG GROUP (620258)	182
OPTION - SAFETY LIGHT, AMBER LIGHT ENG CVR GROUP (600010)	184
OPTION - TIRE, ALL SOFT SHOE SOLID GROUP (600015)	186
OPTION - TIRE, FRONT SOFT SHOE SOLID, REAR PNEUMATIC GROUP (600016)	188
OPTION - TIRE, ALL NON-MARKING SOLID GROUP (600017)	190
OPTION - OVERHEAD GUARD (OHG) GROUP (600019)	192
OPTION - AUTO DIESEL SHUTDOWN GROUP (600020)	194
OPTION - VACUUM WAND GROUP - PAGE 1 (600021)	196
OPTION - VACUUM WAND GROUP - PAGE 2 (600021)	198
OPTION - SEAT BELT, SUSPENSION SEAT GROUP (600022)	200
OPTION - LOW LPG INDICATOR GROUP (600023)	202
OPTION - SIDE BROOM LIGHT GROUP (600025)	204
OPTION - SIDE BROOM LIGHT GROUP - DSB (600053)	206
OPTION - BRAKE LIGHTS GROUP (600027)	208
OPTION - FIRE EXTINGUISHER GROUP (600028)	210
OPTION - TIE DOWNS GROUP (600043)	212
OPTION - TURN SIGNALS AND FOUR WAY FLASHER GROUP (600026)	214
OPTION - HEAVY DUTY AIR CLEANER GROUP - DIESEL (600029)	216
OPTION - HEAVY DUTY AIR CLEANER GROUP - GAS (600038)	218

OPTION - HEAVY DUTY AIR CLEANER GROUP - LPG (600039)	220
OPTION- MERV FILTER, ATLAS (600046)	222
OPTION- MRV FLTR, USED W/HVY DTY AIR CLNR (600047)	226
OPTION - ATLAS DUST SUPPRESSION, DUAL (620737)	228
OPTION- ATLAS DUST SUPPRESSION, SINGLE (620739)	230
OPTION - STANDARD HOPPER WITH RHINO LINING GROUP (600703)	232
OPTION - DUAL SIDE BROOM HOPPER WITH RHINO LINING GROUP (600704)	234
LAYOUTS - ELECTRICAL/HYDRAULIC	236
ATLAS ELECTRICAL SCHEMATIC LAYOUT - DIESEL	236
ATLAS ELECTRICAL SCHEMATIC LAYOUT - GAS & LPG	241
ATLAS HYDRAULIC SYSTEM LAYOUT	246
ATLAS HYDRAULIC SYSTEM LAYOUT WITH DUAL SIDE BROOM	247

TECHNICAL SPECIFICATIONS

Model Atlas Sweeper

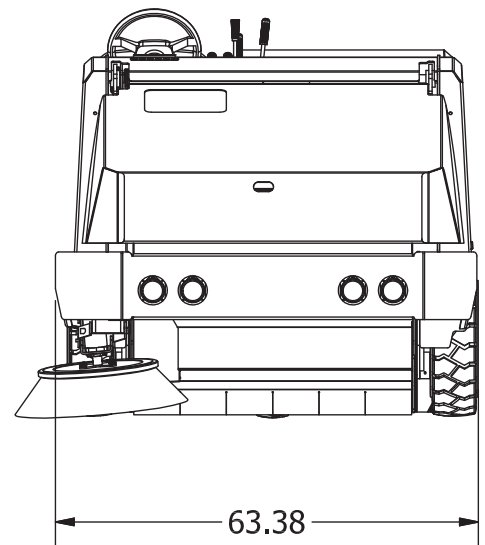
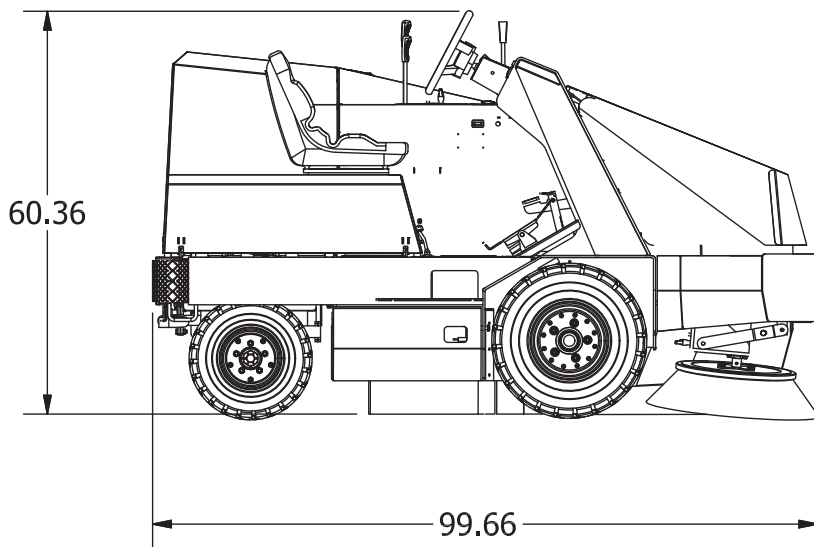
Model No. PB620DSL, PB620GAS, PB620LP, PB620DSL-DSB, PB620GAS-DSB, PB620LP-DSB

GENERAL MACHINE SPECIFICATIONS

Length:99.75 in
Width without side broom63.38 in
Rear frame width:60.00 in
Height to steering wheel60.38 in
Height w/ overhead guard82.25 in
Height wo/ overhead guard60.50 in
Wheelbase:47.75 in
Aisle width U-turn:10.0 ft (120 in)
. (contact clearance = 113 in)
Empty vehicle weight3500 lbs
Gross vehicle weight4700 lbs
Sound level target:83 dBa
Maximum forward speed:9.8 mph
Maximum reverse speed:3 mph
Maximum climb angle empty hopper: . . .14 degrees
(Maximum climb angle)

SWEEPING SPECIFICATIONS

Main broom diameter:14.0 in
Main broom length:48.0 in
Side broom diameter:26.0 in
Sweeping path w/ side broom62.75 in
Optimum main broom pattern width: . . .2.0 in – 2.5 in
Hopper weight capacity:1200 lb
Hopper volumetric capacity
(less filter box):16.0 cu ft
Hopper dump height:to clear 60 in
.(approx 62 in)
Min. ceiling height
for 60" hopper dump:8 ft – 6 in
Filter type:Treated synthetic
.panel filters
Filter area:124 sq ft total
.2x (62 sq ft) panels



dimensions shown in inches

ATLAS Sweeper

PARTS and CONSUMABLES

SERIAL NUMBER # _____

DATE of DELIVERY _____



Common Wear Parts

Main Broom 48" Proprietary Hub (PH) POST S/N #19PB0001

PART DESCRIPTION	QUANTITY NEEDED	SURFACE/ APPLICATION TYPE	PART NUMBER
PH - Proex and Wire - Double Row (Standard)	1	All Purpose/Concrete Floors	3305663-PH
PH - Fiber and Wire Full Fill	1	High Dust/Concrete Floors	3305818-PH
PH - Triple Row Poly	1	Large Debris/Non-Scuff	3333483-PH
PH - Nylon Double Row	1	Light Debris/Non- Scuff	3305812-PH
PH - Nylon Patrol - Chevron	1	Outdoor/High Wear	3305814-PH
PH - Nylon High Density	1	High Dust/Non-Scuff	3305665-PH

Standard Hub PRE S/N #19PB0000

Proex and Wire - Double Row (Standard)	1	All Purpose/Concrete Floors	3305663
Fiber and Wire Full Fill	1	High Dust/Concrete Floors	3305818
Triple Row Poly	1	Large Debris/Non-Scuff	3333483
Nylon Double Row	1	Light Debris/Non- Scuff	3305812
Nylon Patrol - Chevron	1	Outdoor/High Wear	3305814
Nylon High Density	1	High Dust/Non-Scuff	3305665

Hubs and Inserts

Insert to Convert Standard Broom to PH acceptable (2 required)	2	N/A	731330
----------------------------------------------------------------	---	-----	--------

Side Sweeping Brush 26"

Poly Side Sweep (Standard)	1	All Surface	3339964
Nylon Side Sweep	1	Outdoors Large Debris	3339963
Side Brush Shroud Replacement	1	N/A	690773

Dust Control Panel Filter

Panel Filter (Single Filter Machines PRE-S/N 20PB1150)	1	20" x 34" x 3.19"	600152
Panel Filter (POST S/N-20PB1150)	2	18" x 20" x 2.68"	620265
Merv HEPA Filter*	1	Merv 17	690642

ATLAS Sweeper

PARTS and CONSUMABLES



Common Wear Parts

	PART DESCRIPTION	QUANTITY NEEDED	SURFACE/ APPLICATION TYPE	PART NUMBER
Engine Maintenance				
	Element Air Cleaner (Primary)	1	N/A	3321143
	Engine Air Filter (Safety Element)	1	N/A	3322572
	Kubota Oil Filter (Gas/LP)	1	N/A	3344840
	Kubota Oil Filter (Diesel)	1	N/A	3324129
	Kubota Engine Fuel Filter (LP)	1	N/A	3336584
	Kubota Engine Fuel Filter (Gas)	1	N/A	3342209
	Kubota Engine Fuel Filter (Diesel)	1	N/A	3303324
Hydraulic Motors				
	Main Broom Motor	1	N/A	600267
	Side Sweeping Brush Motor	1	N/A	600217
	Impeller Motor	1	N/A	600366
	Filter Element Hydraulic Tank	1	N/A	600182
Replacement Safety Options				
	Flashing Amber Light	1	N/A	620073
	Mounting Bracket (engine cover)	1	N/A	731030
	Side Brush Spotlight	1	N/A	620209-2
	Fire Extinguisher with mount	1	N/A	3302769
	Seat Belt Orange	1	N/A	620192

ATLAS Sweeper

PARTS and CONSUMABLES



General Maintenance

PART DESCRIPTION	QUANTITY NEEDED	SURFACE/ APPLICATION TYPE	PART NUMBER
Replacement Keys (Set of 2)	1	N/A	3322562
Key Switch	1	N/A	3316100
Front Tires (Soft Solid Shoe)	2	N/A	3307071
Rear Tire (Soft Solid Shoe)	1	N/A	620093
Rear Tire (Pneumatic)	1	N/A	600388
Front Tire (Solid Non-Marking)	2	N/A	620098
Front Tire (Solid Non-Marking)	1	N/A	620095
Hopper Side Skirt	2	N/A	600231
Rear-Skirt	1	N/A	600224
Wheel Well - Skirt	2	N/A	600223
Corner Flap - Broom Chamber	2	N/A	3307286
Top Skirt Main Broom	1	N/A	600222
Recirculating Skirt	1	N/A	600225
Side Door Skirt	2	N/A	600227
Hopper Lip Skirt	1	N/A	600230
Hopper Exhaust Seal	1	N/A	600521
Filter Seal Flap	1	N/A	600522
Dump Door Lip Seal	1	N/A	600234
Dump Door Side Seal	2	N/A	600235
Dump Door Bar Seal	1	N/A	600236
Lip Seal	2	N/A	600262
Hopper Door Bulb	1	N/A	600233
Hopper Access Door Seal	1	N/A	600237
Hopper Seal 113.5"	1	N/A	620290
Filter Seal 48.25"	2	N/A	600563

ATLAS Sweeper

PARTS and CONSUMABLES



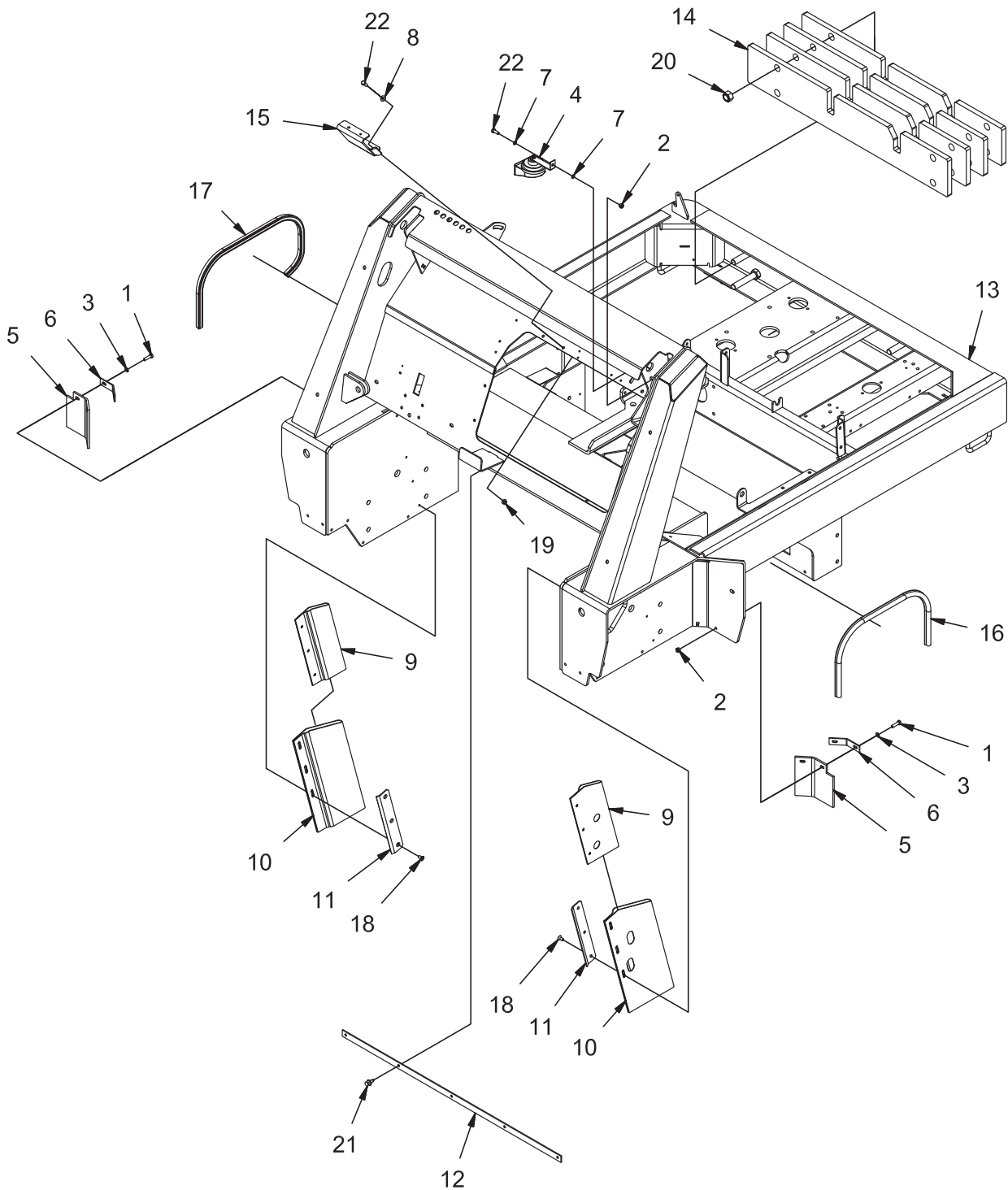
General Maintenance

Continued

PART DESCRIPTION	QUANTITY NEEDED	SURFACE/ APPLICATION TYPE	PART NUMBER
Filter Shaker Keeper Weldment	1	N/A	621290
Standard Seat	1	N/A	620219
Suspension Seat	1	N/A	620191
Radiator Overflow Bottle	1	N/A	3318752
Battery(cranking) Replacement	1	N/A	3300440
Fuel Tank Cap (Gasoline or Diesel)	1	N/A	3343413
Rocker Switch Cover	1	N/A	3342273
Whisker Switch	1	N/A	3342546
Spray Tips for Water Dust Suppression	4	N/A	3339519

** Merv Filtration only used on Merv factory built machines*

**PARTS BREAKDOWN
FRAME GROUP 1 (600680)**

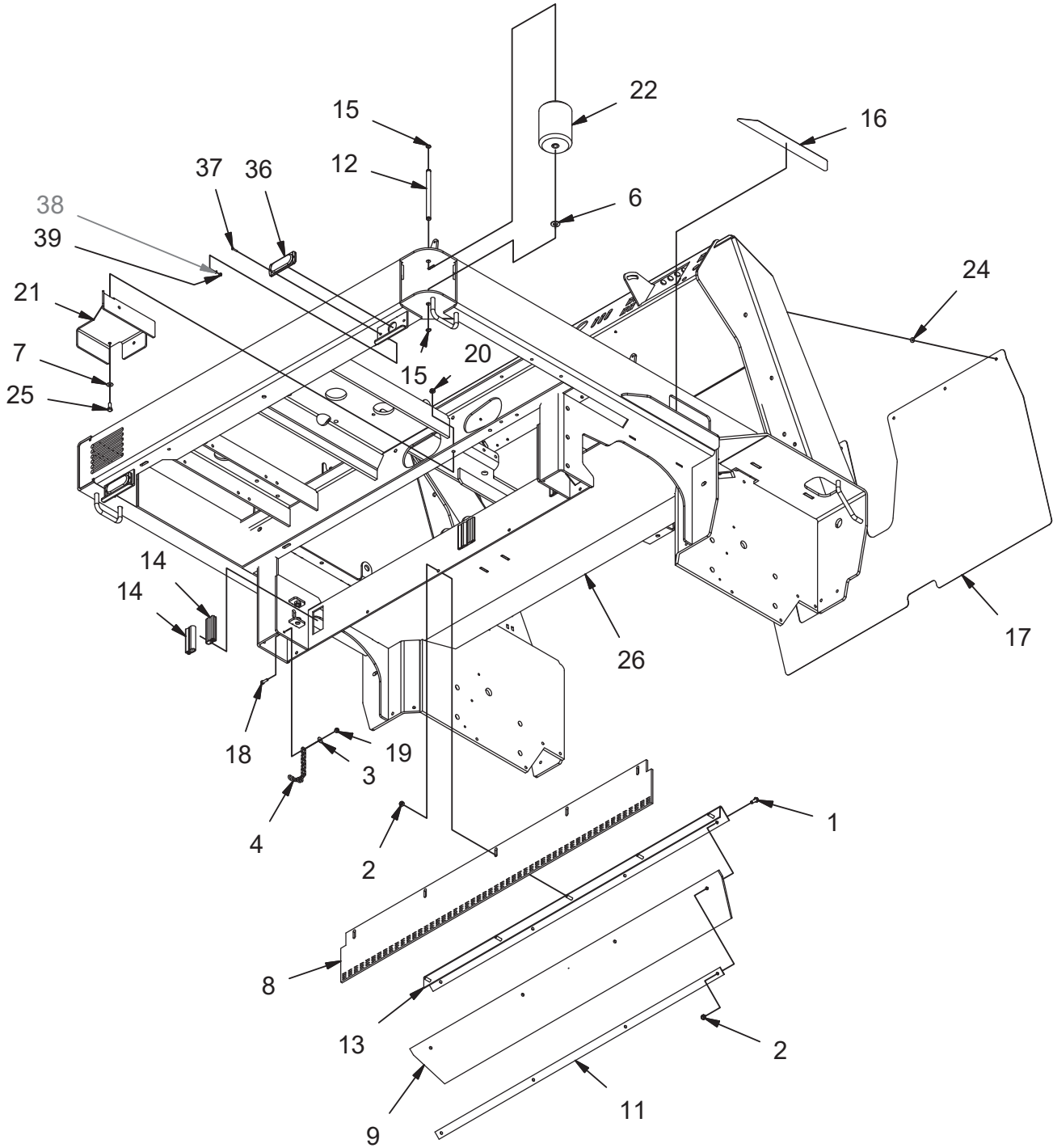


REV G

FRAME GROUP 1 (600680)

Parts List - 600680			
ITEM	PART NO.	QTY	DESCRIPTION
1	11038254	4	BOLT, M8-125 X 30 HH
2	12040259	5	NUT, M8-1.25 ESN SS
3	12310041	4	WASHER, M8
4	3300379	1	HORN, 12V
4a	704202	1	HORN BRACKET
5	3307286	2	FLAP, BROOM CHAMBER CORNER
6	3307287	2	STRAP, BROOM CORNER FLAP
7	3400273	2	WASHER, STAR, .31, INT. ZP
8	3400384	2	WASHER, 5/16 BELLEVILLE
9	600221	2	SKIRT, SUPPORT
10	600223	2	SKIRT, WHEEL WELL
11	600251	2	RETAINER, WHEEL WELL SKIRT
12	600288	1	RETAINER, BC TOP SEAL
13	600412-1	1	WELDMENT, FRAME
14	600511	4	COUNTERWEIGHT
15	600821	1	CHANNEL, CLAMP STAND
16	600901	1	SEAL, BROOM DOOR, LH
17	600902	1	SEAL, BROOM DOOR, RH
18	600916	6	SCREW, M8-1.25 X 16 FHMS SS
19	600934	2	NUT, M8-1.25 FLNG
20	600935	4	NUT, M20-2.50 ESN
21	600965	5	FASTENER, PRESS-IN
22	717024	3	BOLT, M8-1.25 X 20 HH

FRAME GROUP 2 (600680)

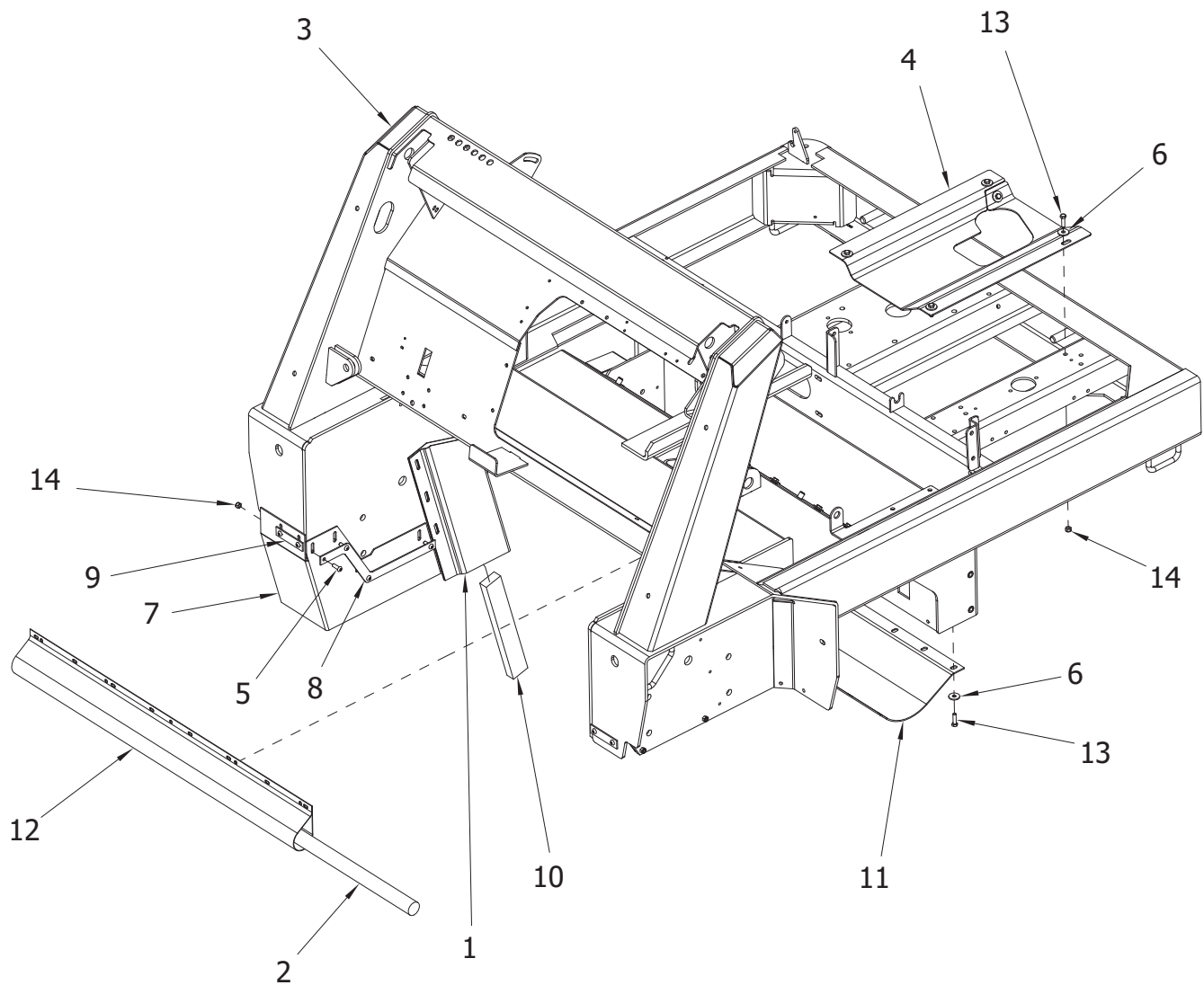


REV G

FRAME GROUP 2 (600680)

Parts List - 600680			
ITEM	PART NO.	QTY	DESCRIPTION
1	11039567	4	SCR-HH M8-1.25 X 25 SS
2	12040259	9	NUT-NYLOC M8 X 1.25 SS
3	12332011	1	WASHER-FLAT M6.4 X 18 X 1.6 ZP
4	3307658	1	CHAIN-GROUNDING -1/0 ZP 9 LINKS
6	3400086	1	WASHER-FLAT 1/2 ZP
7	3400384	2	WASHER-CONICAL SPRING 5/16
8	600224	1	SKIRT REAR
9	600225	1	SKIRT RECIRCULATING
11	600515	1	STRAP RECIRCULATING SKIRT,ZP
12	600516	1	SHAFT ROLLER, ZP
13	600517	1	WELDMENT REAR SKIRT RETAINER, SS
14	600565	6	SEAL MB ARM (3.38" OF EDGING 3500199)
15	600569	2	RET RING-EXT .50 HD
16	600814	1	PAD STEP
17	600816	1	SHIELD, RUBBER
18	600913	1	SCR-HH M6-1.00 X 20 SS
19	600933	1	NUT-NYLOC M6-1.00 SS
20	600934	2	NUT-FLANGE WIZZ M8-1.25 ZP
21	600999	1	SUPPORT, WM HOSE
22	620744	1	ROLLER
24	712827	5	WASHER-RBBR, .195ID, .562OD
25	717024	2	SCR-HH M8-1.25 X 20 ZP GRADE 8.8
26	REFERENCE		FRAME
36	600698-2	1	ASSY, LIGHTS, TAIL, BRK, RED LED
37	710305	4	SCR-PHMS 6-32 X .75 ZP
38	711501	4	WASHER-FLAT #6 X .375 ZP
39	711371	4	NUT-NYLOC 6-32 ZP

FRAME GROUP SKIRT COMPONENTS (600680-1)

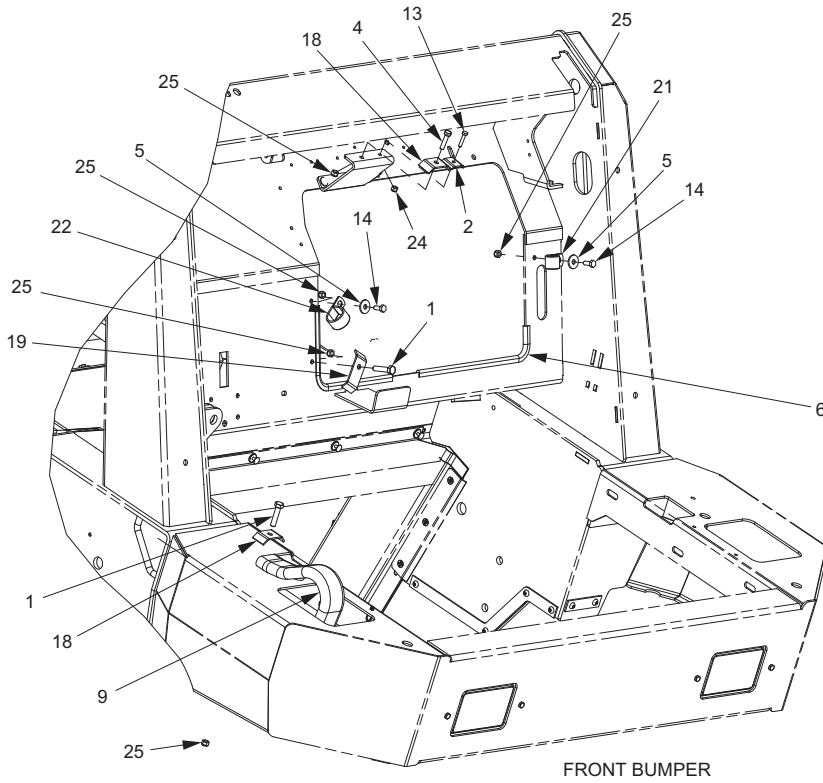


REV C

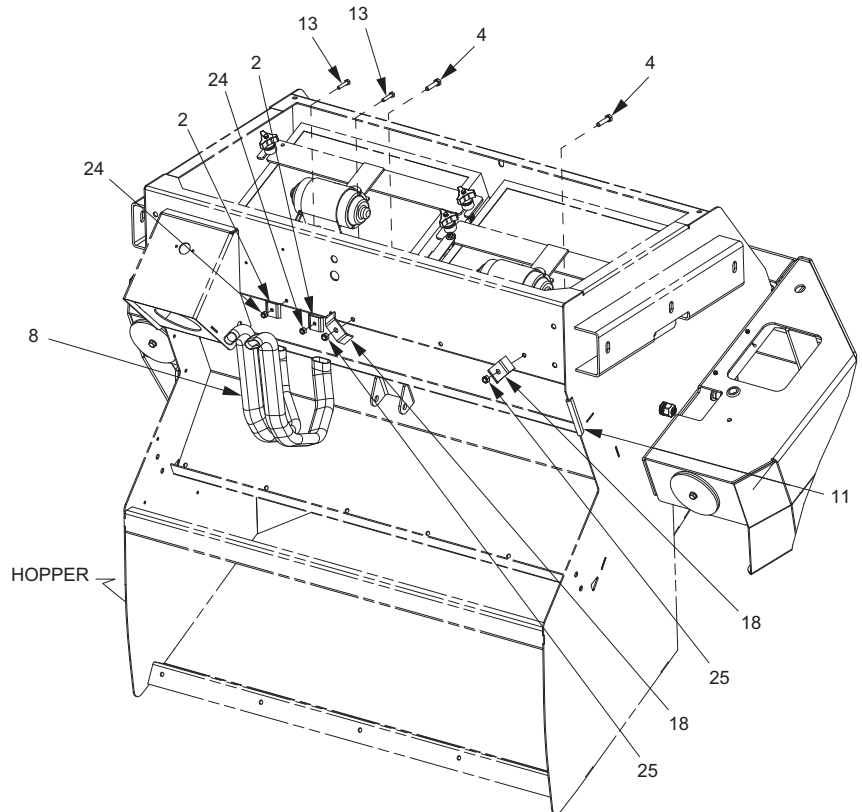
FRAME GROUP SKIRT COMPONENTS (600680-1)

Parts List - 600680-1			
ITEM	PART NO.	QTY	DESCRIPTION
1	REFERENCE	2	SKIRT WHEEL WELL
2	600233	1	BULB HOPPER DOOR
3	REFERENCE	1	ASSEMBLY FRAME
4	600697	1	FLAP, DUST SUPPRESSION, OIL PAN
5	600917	12	SCR-BHSCS M8-1.25 X 25 SS
6	600940	17	WASHER-FENDER M8 X 24 ZP
7	620025	2	SKIRT MID
8	620026	2	STRAP MID SKIRT ZP
9	620049	2	STRAP SHORT
10	620156	2	FOAM, 2" X 13.25" X 1"
11	620748	1	FLAP, DUST SUPPRESSION, BRM CHMBR
12	3307276	1	SEAL-FRAME HOPPER HORIZONTAL SW/A
13	11038254	17	SCR-HH M8-1.25 X 30 ZP CLASS 8.8
14	12040051	17	NUT-NYLOC M8 X 1.25 ZP CLASS 8

CLAMP - HOSE GROUP (600860)



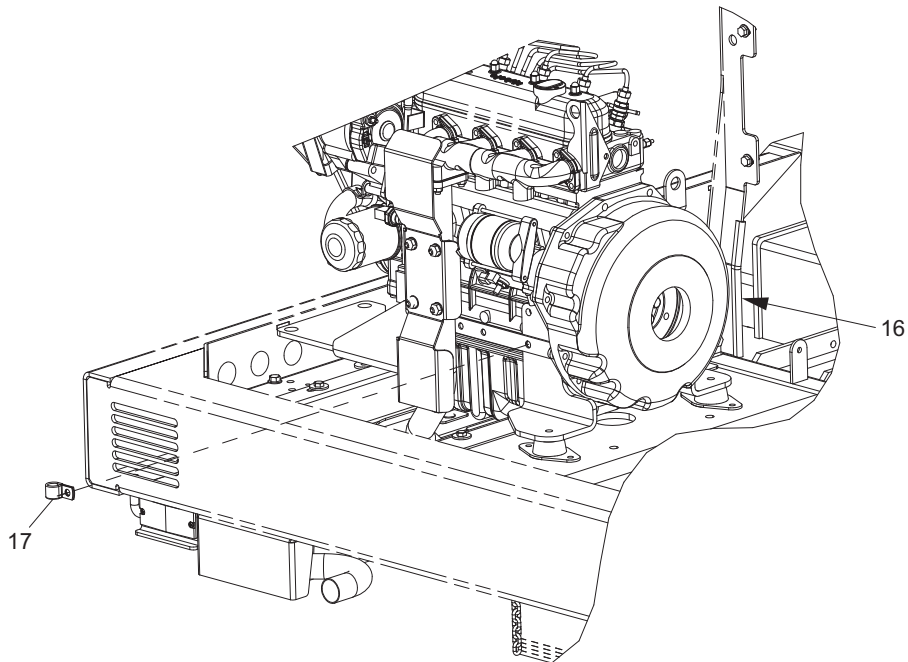
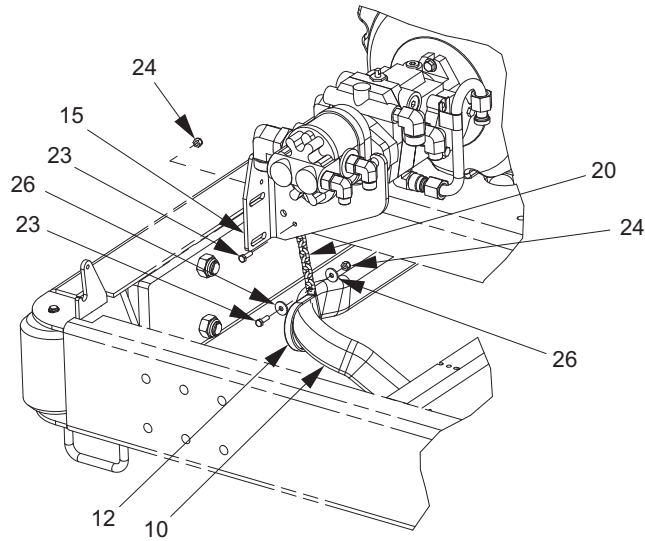
FRONT BUMPER



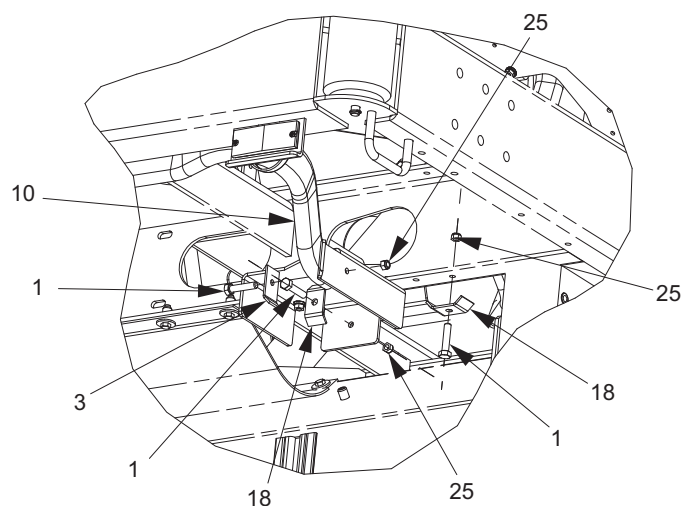
HOPPER

REV B

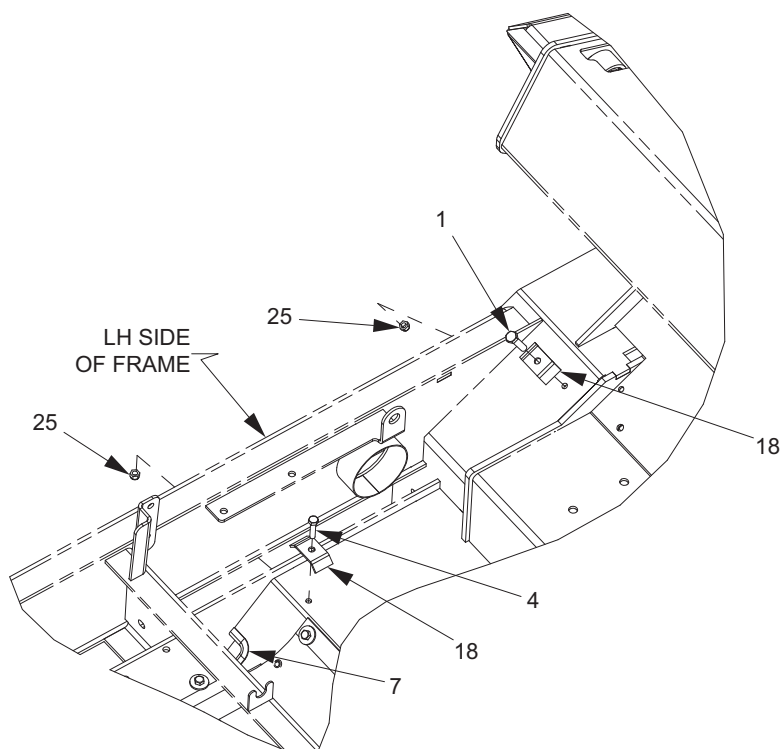
CLAMP - HOSE GROUP (600860)



CLAMP - HOSE GROUP (600860)



RIGHT REAR UNDERSIDE OF FRAME

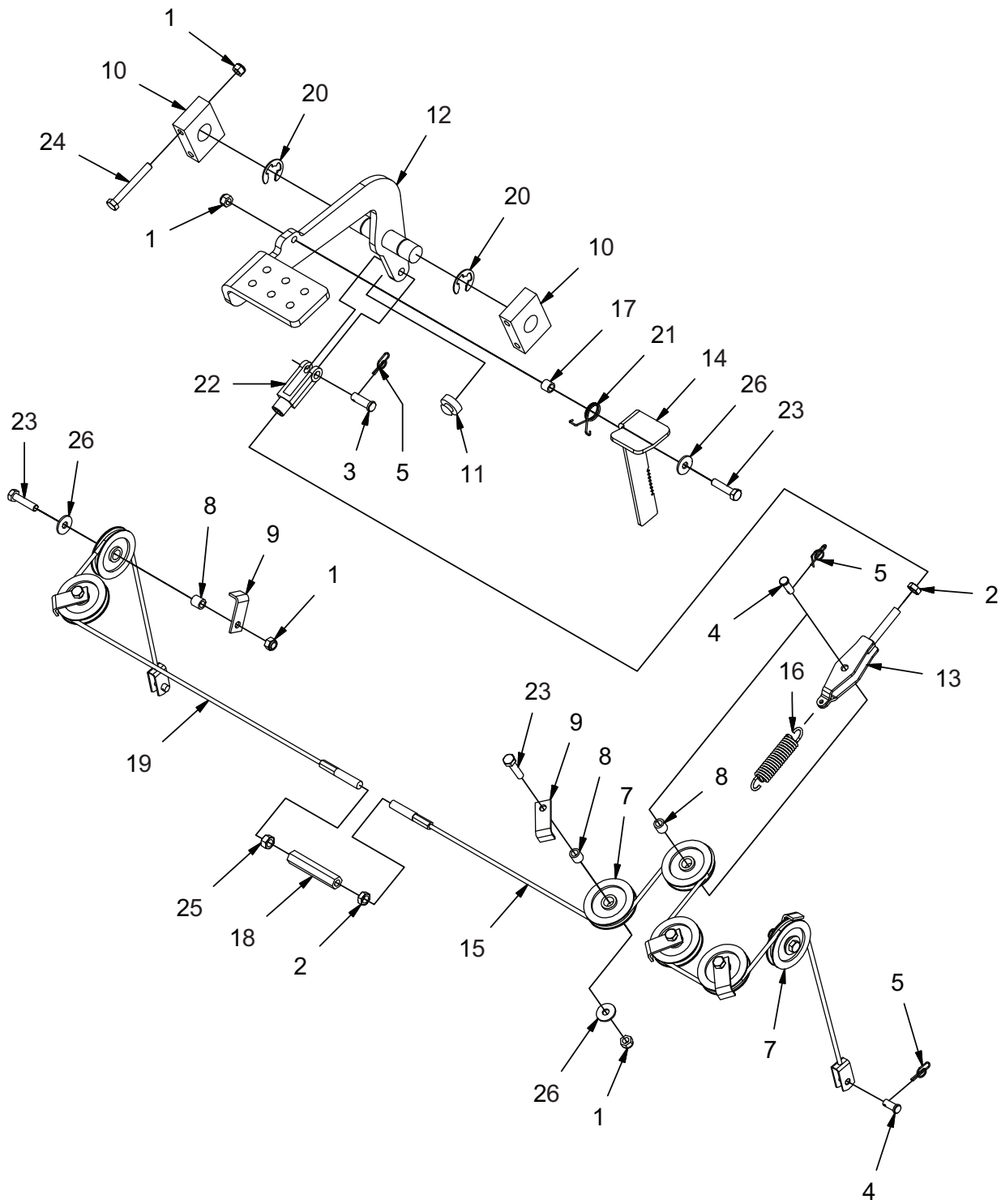


REV B

CLAMP - HOSE GROUP (600860)

Parts List - 600860			
ITEM	PART NO.	QTY	DESCRIPTION
1	600820	6	SCR-HH M8-1.25 X 45 ZP CLASS 8.8
2	600822	3	RETAINER HOSE SYM 6, ZP
3	600823	1	RETAINER HOSE WM,ZP
4	600918	4	SCR-HH M8-1.25 X 35 ZP CLASS 8.8
5	600940	2	WASHER-FENDER M8 X 24 ZP
6	620038	2	EDGING 3/16X15"
7	620039	1	EDGING 3/16 X 5.75"
8	620041	2	SLEEVE AS - B - 17 X 24.5
9	620042	1	SLEEVE AS - B - 27X20"
10	620043	1	SLEEVE AS - B - 33 X 28.0"
11	620120	1	EDGING, 4 IN
12	690436	1	CLAMP-P TYPE 2-3/4 VINYL CUSHION
13	717021	3	SCR-HH M6-1.0 X 30 ZP CLASS 8.8
14	717024	2	SCR-HH M8-1.25 X 20 ZP GRADE 8.8
15	REFERENCE	1	MOUNT, HYDROBACK
16	731529	1	EDGING, 3/16, 8.25"
17	3301158	1	CLAMP - WIRE & TUBE .687 DIA STEEL
18	3301437	8	HOSE CLAMP-PLTD ZP CLEAR
19	3305398	1	CLAMP-HYD HOSE, PLATED
20	3307658	1	CHAIN-GROUNDING -1/0 ZP 9 LINKS
21	3400999	1	CLAMP - WIRE & TUBE 1.125 DIA STEEL
22	3402005	1	CLAMP - WIRE & TUBE 1.562 DIA STEEL
23	11038098	2	SCR-HH M6-1.0 X 20 ZP CLASS 8.8 DIN
24	12040044	5	NUT-NYLOC M6 X 1.0 ZP CLASS 6
25	12040051	12	NUT-NYLOC M8 X 1.25 ZP CLASS 8
26	12347027	2	WASHER-FLAT M6.6 X 22 X 2 ZP
	740099-B	2	CABLE TIE-SMALL (BLACK)
	828062-B	35	CABLE TIE-LARGE (BLACK)

BRAKE GROUP (600688)

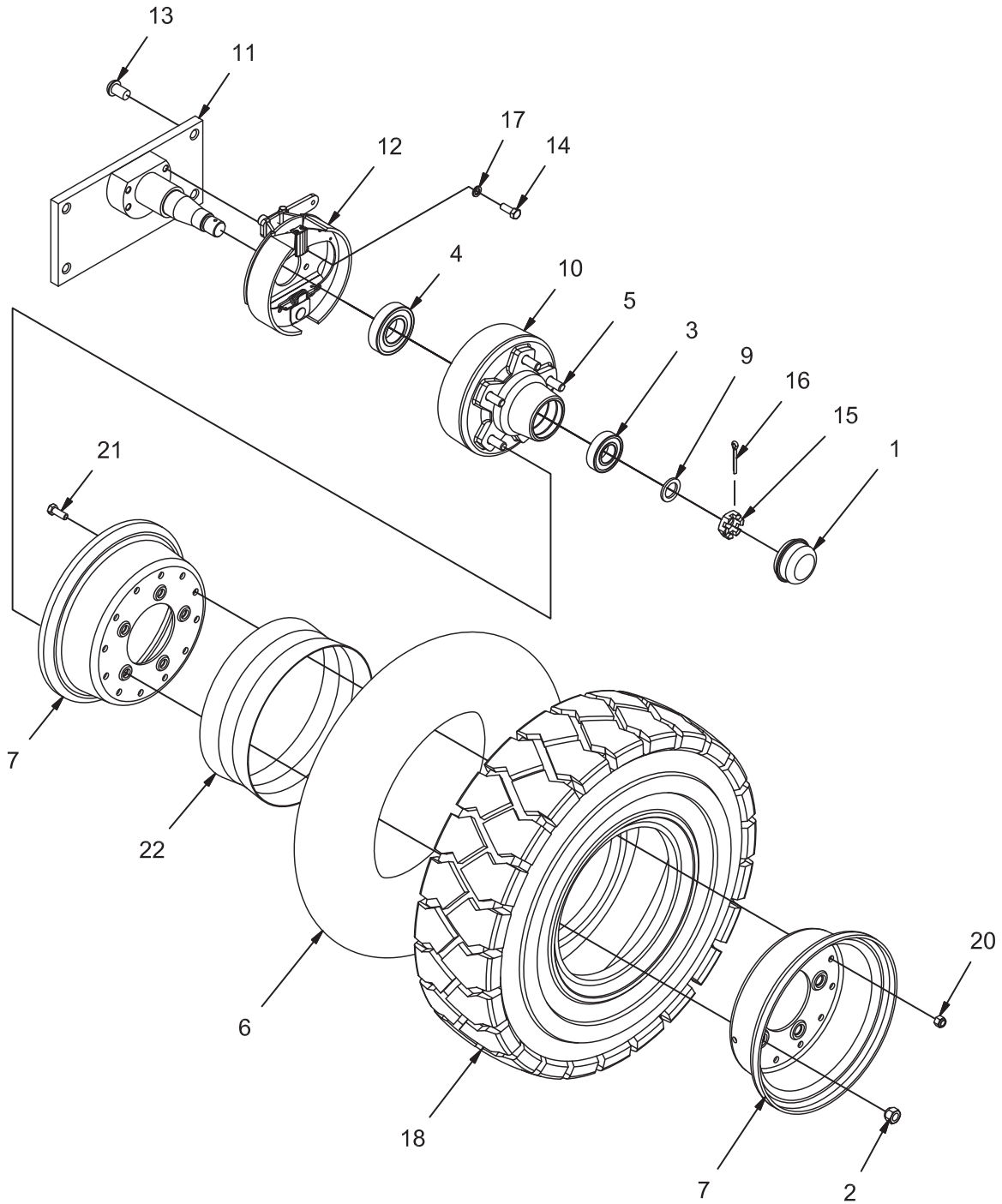


REV C

BRAKE GROUP (600688)

Parts List - 600688			
ITEM	PART NO.	QTY	DESCRIPTION
1	12040051	11	NUT, M8-1.25 ESN
2	3400075	2	NUT, HEX JAM 3/8-24
3	3400117	1	PIN, CLEVIS 3/8 X 1.125
4	3400118	3	PIN, CLEVIS, .313 X .88
5	3400125	4	RUE-RING, .375
7	600113	7	PULLEY, .50 B, 2.00 D, .44 T
8	600114	7	SPACER, .328 B .498 OD .500 T
9	600115	6	RETAINER, CABLE
10	600116	2	BLOCK, BRAKE PIVOT
11	600117	1	BUMPER, 1.00 X .339 T
12	600118	1	WELDMENT, BRAKE PEDAL
13	600121	1	CLEVIS, BRAKE PULLEY
14	600124	1	PEDAL, PARKING BRAKE
15	600126	1	CABLE, BRAKE, RH
16	620259	1	SPRING, EXTENSION
17	600315	1	SPACER, .344 B .485 OD .425 T
18	600338	1	TURNBUCKLE, .375
19	600339	1	CABLE, BRAKE, LH
20	600570	2	E-RING, .88
21	600809	1	SPRING, TORSION
22	600813	1	CLEVIS, 3/8-24
23	600918	7	BOLT, M8-125 X 35 HH
24	600921	4	BOLT, M8-1.25 X 65 HH
25	600938	1	NUT, 3/8-24 LH
26	600940	7	WASHER, M8 FENDER

FRONT WHEEL GROUP (600687)

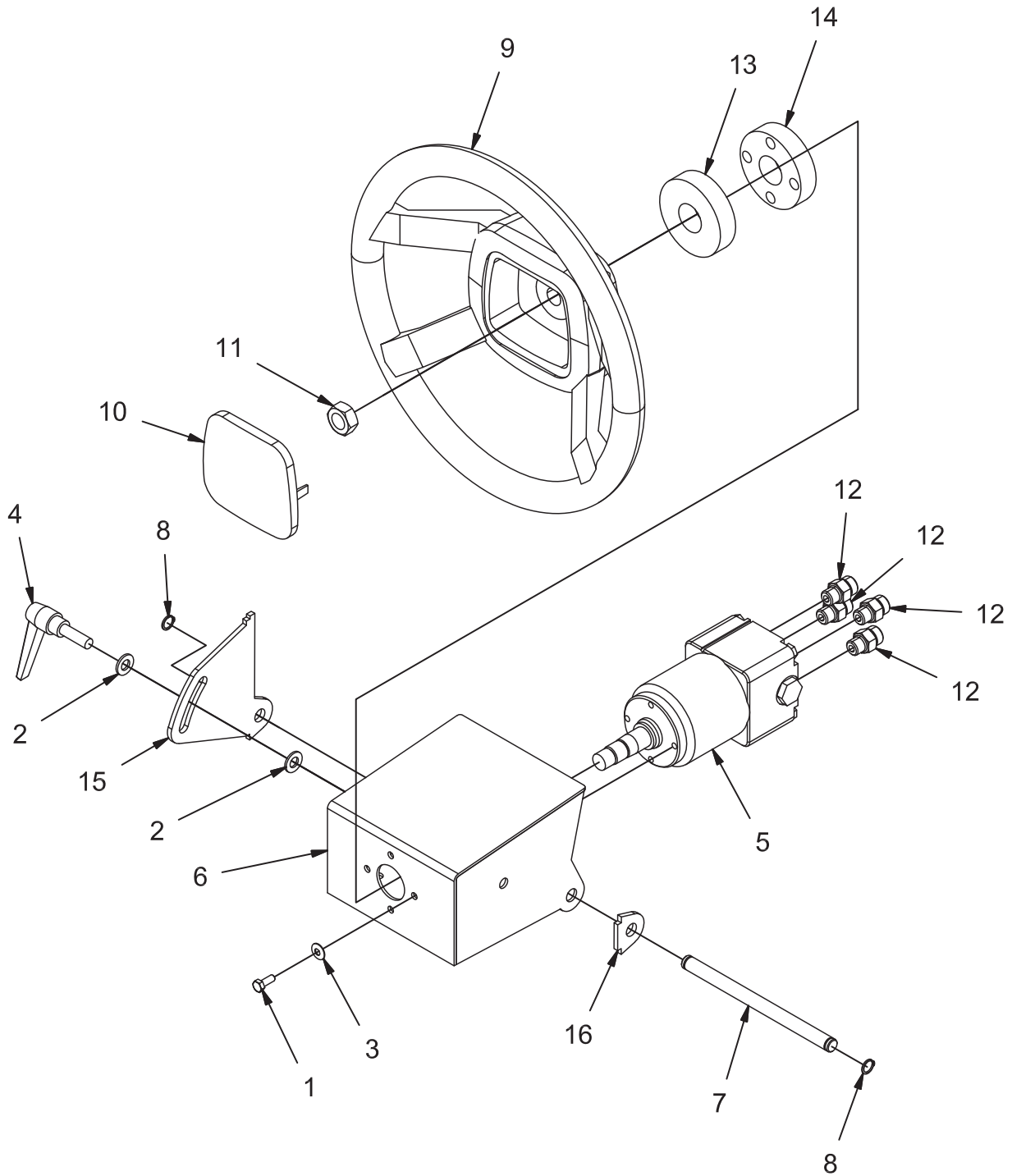


REV A

FRONT WHEEL GROUP (600687)

Parts List - 600687			
ITEM	PART NO.	QTY	DESCRIPTION
1	3300369	2	GREASE CAP
2	711036	10	NUT-ACORN 1/2-20, LH, CHROME
3	3300467	2	BEARING, BALL, 6206-2RS
4	3307238	2	BEARING, BALL, 6208-2RS
5	3307242	10	STUD, WHEEL
6	620651	2	TUBE 650-10 WITH ANGLED STEM
7	620214	2	RIM, SET
9	3307352	2	WASHER
10	3318288	2	HUB, MACHINED
11	3334058	2	WELDMENT, SPINDLE
12	3334059	2	ASSEMBLY, BRAKE, RH-LH
13	3400006	8	SCREW, 5/8-11 x 1.00 BUTTON HD CAP
14	713042	8	SCREW, HEX, 3/8-16 X 1.00 ZP
15	3400076	2	NUT, SLOTTED 1-14
16	3400120	2	PIN, COTTER 3/16 X 1.50 ZP
17	3401570-9	8	WASHER, NORD-LOCK, 3/8 ZP
18	3307022	-	ASSEMBLY, TIRE
20	711380	24	NUT, FIBER INSERT 3/8-16
21	713042	24	SCREW, 3/8-16 X 1.000 HHC
22	PART OF 3307022	2	LINER, FRONT

STEERING COLUMN GROUP (600682-1)

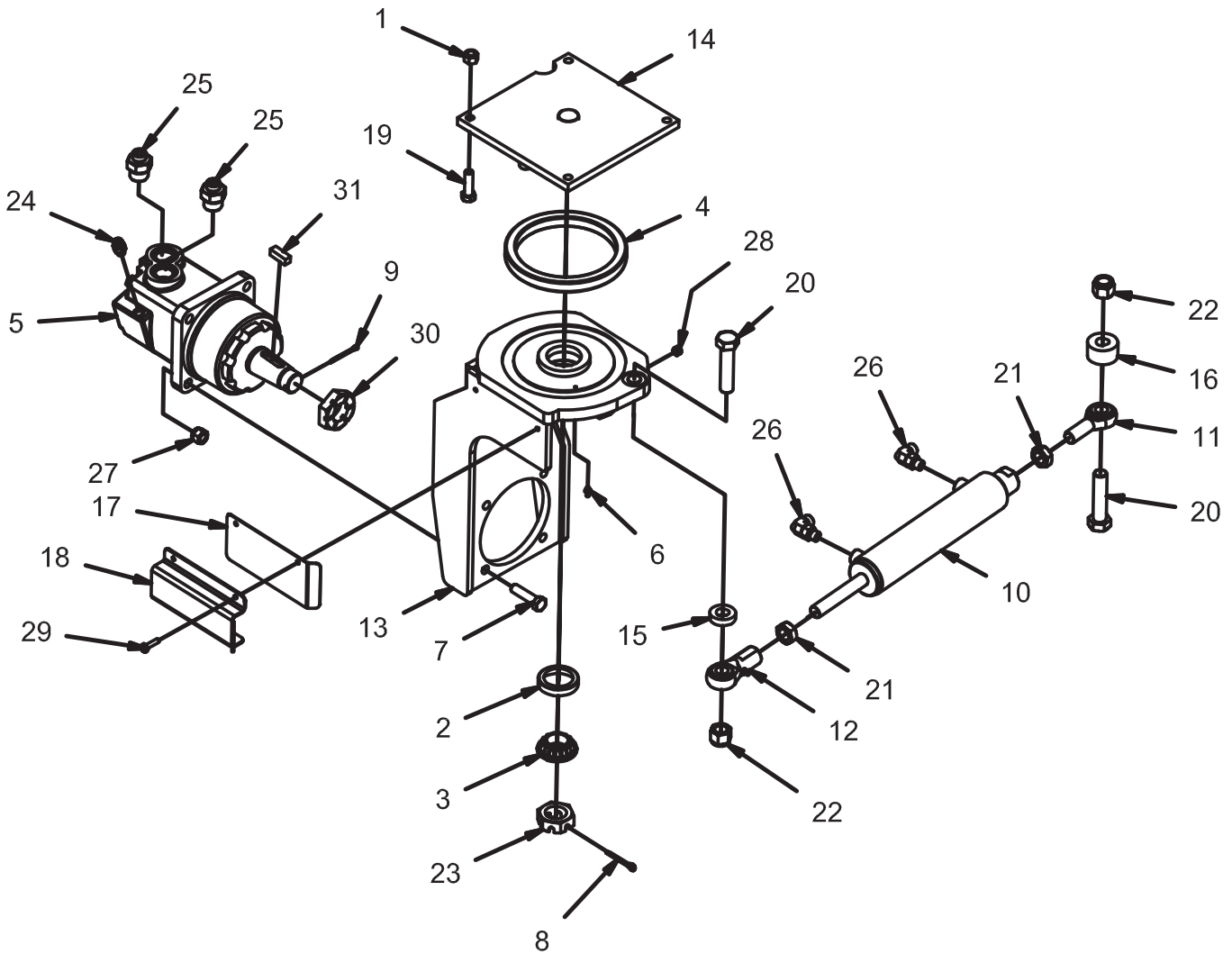


REV B

STEERING COLUMN GROUP (600682-1)

Parts List - 600682-1			
ITEM	PART NO.	QTY	DESCRIPTION
1	11038072	4	SCR-HH M6-1.0 X 16 ZP CLASS 8.8
2	12310058	2	WASHER-FLAT M10.5 X 20 X 2 ZP
3	3400383	4	WASHER-CONICAL SPRING 1/4
4	600260	1	KNOB LEVER
5	600368	1	STEERING UNIT
6	600465	1	WELDMENT STEERING MNT, DG
7	600516	1	SHAFT ROLLER, ZP
8	600569	2	RET RING-EXT .50 HD
9	610000	1	STEERING WHEEL, POWERBOSS
10	610001	1	STEERING WHEEL CAP, POWERBOSS
11	620057	1	NUT-JAM M16 X 1.50 ZP
12	675515	4	FTG-ORFS STR THD -6 -6 SAE
13	690152	1	DUST RING, STEERING
14	690160	1	DUST RING, STEERING, UPPER
15	REFERENCE	1	FRAME
16	REFERENCE	1	FRAME
17	610003	1	STEERING WHEEL KNOB, POWERBOSS

STEERING FORK GROUP (600690-1)

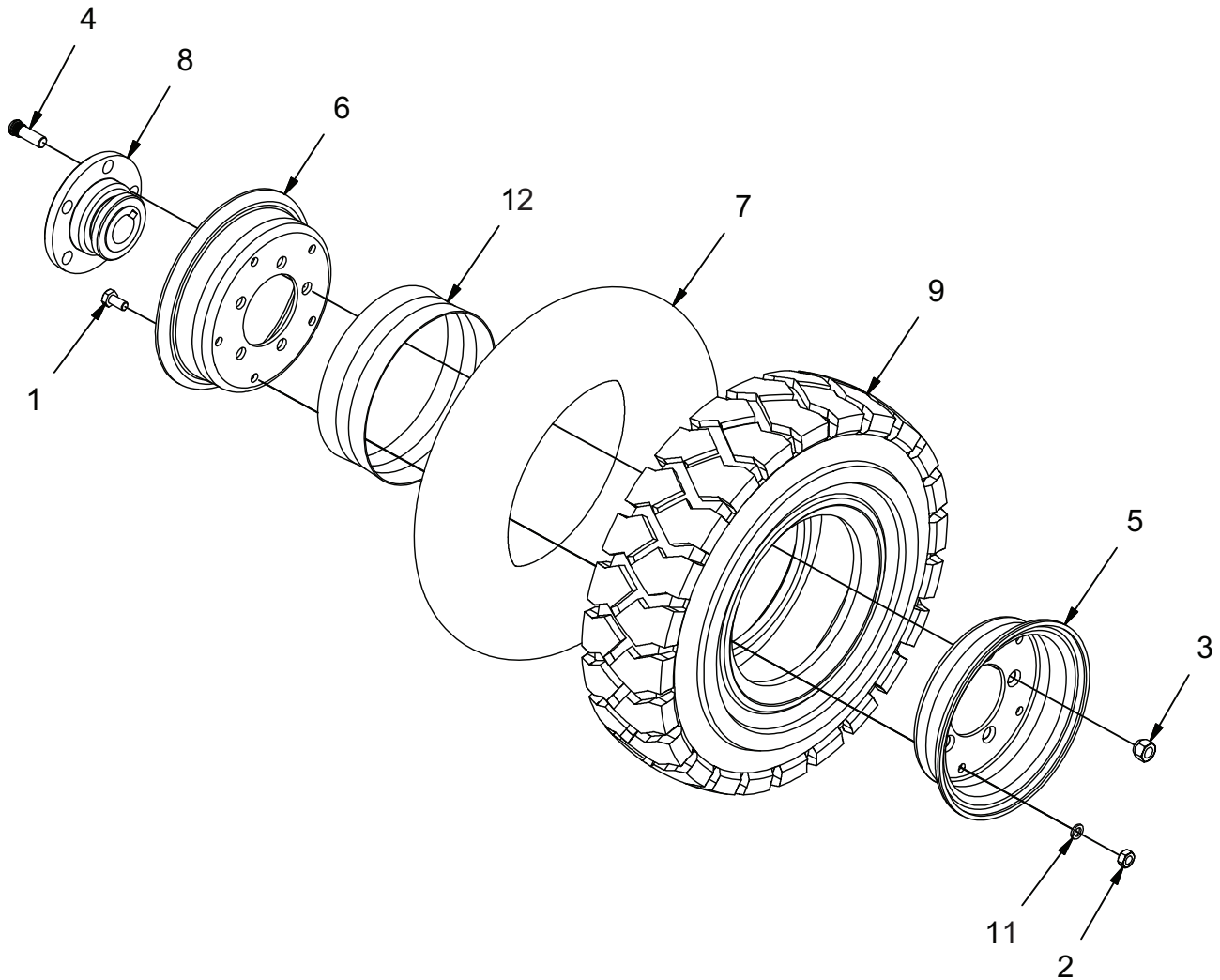


REV B

STEERING FORK GROUP (600690-1)

Parts List - 600690-1			
ITEM	PART NO.	QTY	DESCRIPTION
1	12040077	4	NUT-NYLOC M12 X 1.75 ZD CLASS 8
2	3300470	1	BEARING-TAPERED ROL CUP
3	3300471	1	BEARING-TAPERED ROLCONE W/SEAL
4	3300472	1	BEARING-THRUST 5.812 ID X 7.00 OD
5	3305108	1	MOTOR-HYD 4000 SERIES PNTD(SP)
6	3400012	1	FTG-GREASE 3/16
7	713608	4	SCR-HH 1/2-13 X 2.00 ZP GR 8
8	3400120	1	PIN-COTTER 5/32 X 2.00 ZP
9	3400122	1	PIN-COTTER 1/8 X 2.00 ZP
10	600105	1	CYLINDER-STEERING
11	600177	1	ROD END MALE 3/4-16
12	600178	1	ROD END FEM 3/4-16 W/ZERK
13	600186	1	WELDMENT FORK, BLACK
14	600252	1	WELDMENT FORK
15	600328	1	SPACER 0.766 B 1.50 OD 0.438,ZP
16	600329	1	SPACER 0.766 B 1.75 OD 1.03,ZP
17	600807	1	PLATE HOSE GUIDE
18	600808	1	CLAMP WM HOSE
19	600928	4	SCR-HH M12-1.75 X 40 ZP CLASS 8.8
20	600932	2	SCR-HH 3/4-10 X 3.25 ZP GR 5
21	600939	2	NUT-JAM 3/4-16 ZP GR 5
22	620059	2	NUT-NYLOC 3/4-10 ZP
23	620066	1	NUT-CASTLE 1 1/4-12 JAM ZP
24	675508	1	FTG-STR THD CONNECTOR -4 ORFS TO -4 SA
25	675529	2	FTG-STR THD CONNECTOR -8 ORFS TO -12 S
26	675572	2	FTG-STR THD ELBOW
27	713614	4	NUT-NYLOC 1/2-13 ZP, GR 8
28	711377	2	NUT-LOCK 1/4-20 ZP REVERSE
29	713003	2	SCR-HH 1/4-20 X 1.00 ZP GR 5
30	PART OF 3305108	1	NUT, 1.25-18
31	PART OF 3305108	1	KEY, .44 SQ X 1.25

REAR WHEEL GROUP (600689)

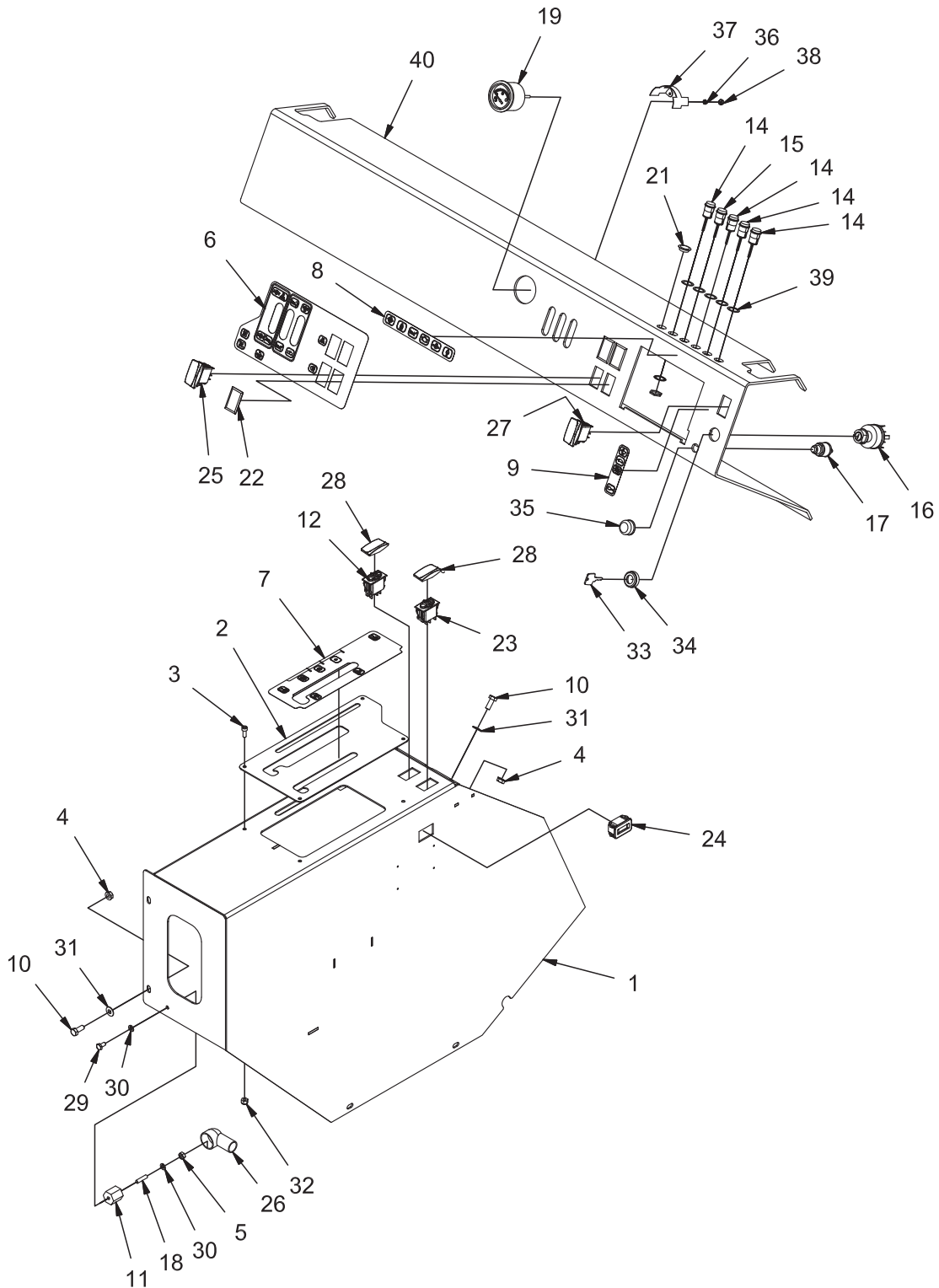


REV *

REAR WHEEL GROUP (600689)

Parts List - 600689			
ITEM	PART NO.	QTY	DESCRIPTION
1	11038353	5	BOLT, M10-1.50 X 20 HH
2	12022067	5	NUT, M10-1.50 HEX
3	711036	5	NUT-ACORN 1/2-20, CHROME
4	3307348	5	STUD, WHEEL
5	600255	1	RIM, OUTER, 500-8
6	600256	1	RIM, INNER, 500-8
7	600257	1	TUBE, TIRE, 500-8
8	600335	1	HUB, REAR WHEEL
9	600336	1	TIRE, PNEUMATIC, 500-8
10	600388	-	ASSEMBLY, TIRE, 500-8
11	600945	5	LOCK WASHER, M10
12	PART OF 600255	1	LINER, REAR

INSTRUMENT PANEL GROUP - DIESEL (600611)

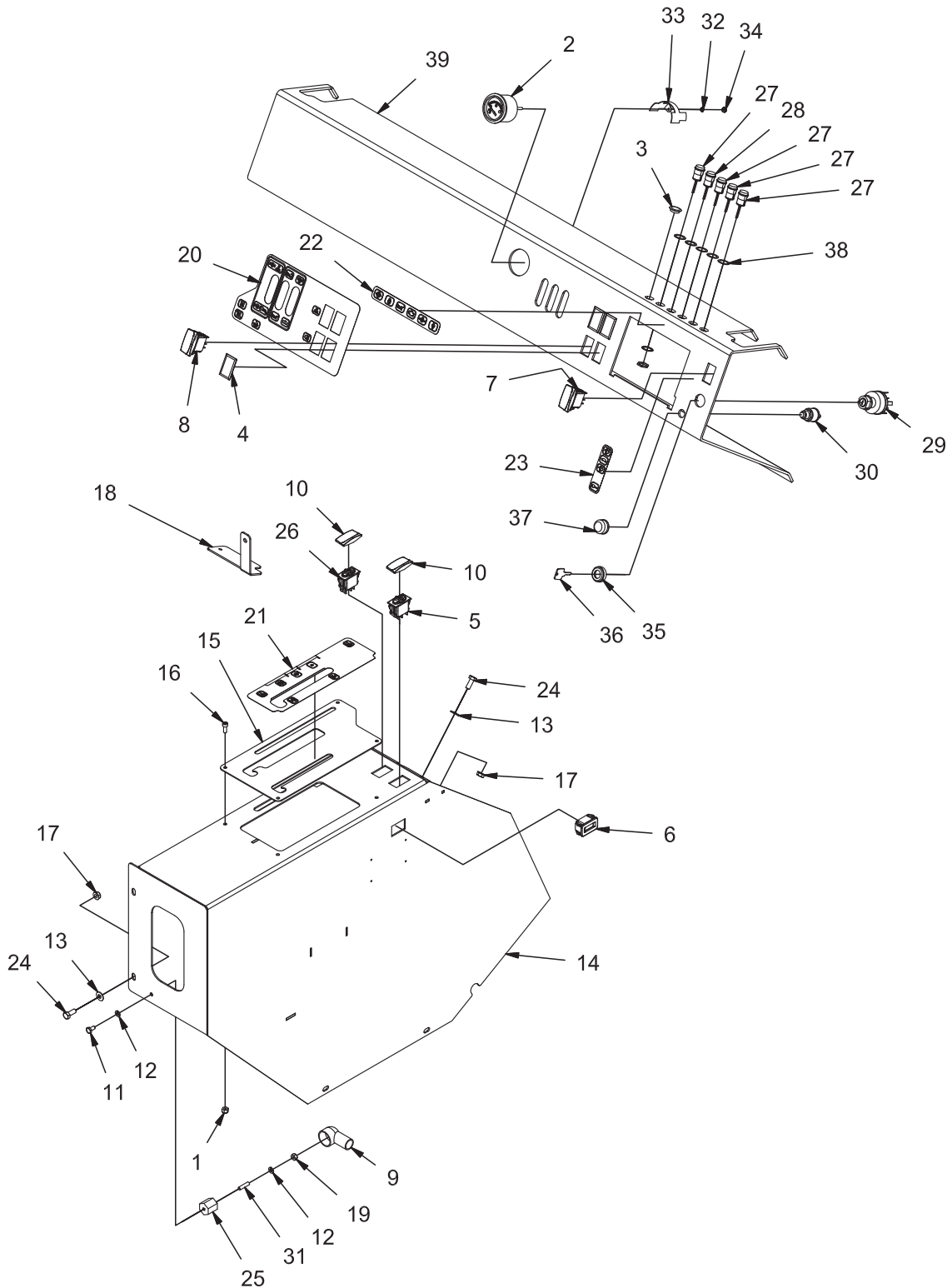


REV J

INSTRUMENT PANEL GROUP - DIESEL (600611)

Parts List - 600611			
ITEM	PART NO.	QTY	DESCRIPTION
1	600474	1	WELDMENT CONSOLE, ORANGE
	600474BR		WELDMENT CONSOLE, BURGUNDY
2	600560	1	PLATE WEAR,SS
3	600912	4	SCR-SHCS M6-1.00 X 16 ZP
4	600934	4	NUT-FLANGE WIZZ M8-1.25 ZP
5	3400071	1	NUT-HEX 1/4-20 ZP GR 5
6	715922	1	DECAL-DASHBOARD-VALVE GROUP PB620
7	715934	1	DECAL BROOMS ATLAS
8	715936	1	DECAL WARNING LIGHTS ATLAS
9	715941	1	DECAL, DIESEL, ATLAS
10	717024	4	SCR-HH M8-1.25 X 20 ZP GRADE 8.8
11	740132	1	INSULATOR (ELECTRICAL)- 1/4-20 INSERT
12	742057	1	SWITCH, ROCKER SPST, 20A, 12VDC
14	748995	4	LIGHT ASSY, INDICATOR RED - LED
15	748996	1	LIGHT ASSY, INDICATOR AMBER - LED
16	749072	1	SWITCH-IGNITION W/HARNESS
17	749073	1	SWITCH-HORN W/HARNESS
18	833638	1	BRASS STUD- 1/4-20 X 1"
19	3300382	1	GAUGE-FUEL, 2" DIA, 12V
21	3301669	1	PLUG-PLASTIC, 11/16 DIA
22	3323529	3	PLUG-CARLING CONTURA SWITCH
23	3335114	1	SWITCH-ROCKER, OFF MOMENTARY ON
24	3336094	1	GAUGE-HOURMETER DIGITAL SNAP-IN 8-32VDC
25	3342705	1	SWITCH-BASE, DPST CONTURA ROCKER
26	3342931	1	INSULATOR-BOOT RED
27	3343912	1	SW-ROCKER CONTURA DPDT ON-OFF
28	3344038	3	COVER-SWITCH ROCKER BLACK NO LENS
29	3400043	1	SCR-HH 1/4-20 X .50 ZP GR 5 FULL THRD
30	711544	2	WASHER-LOCK 1/4 SPLIT ZP
31	3400384	4	WASHER-CONICAL SPRING 5/16
32	12040044	4	NUT-NYLOC M6 X 1.0 ZP CLASS 6
33	PART OF 749072	1	KEY
34	PART OF 749072	1	NUT, KEYSWITCH
35	PART OF 749073	1	CAP, HORN SWITCH
36	PART OF 3300382	2	LOCKWASHER, EXT. #8
37	PART OF 3300382	1	RETAINER, GAUGE
38	PART OF 3300382	2	NUT, #8-32
39	REFERENCE	5	SEAL FOR LED
40	REFERENCE	1	FRAME
	3301345-1	1	WIRE ASSY, FUEL GAUGE LIGHT
	749093	1	HARNESS, FUEL GAUGE

INSTRUMENT PANEL GROUP - GAS (600636)

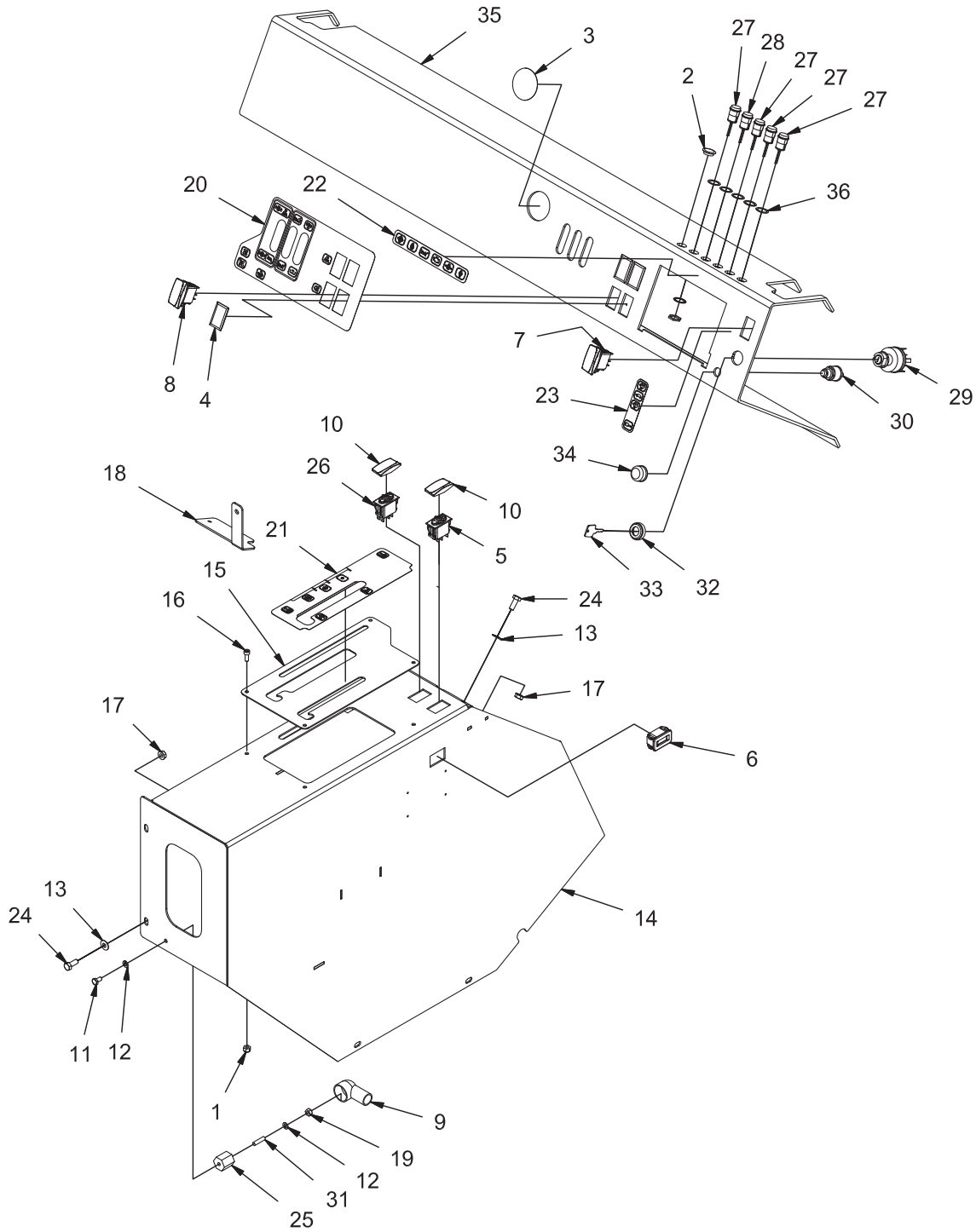


REV K

INSTRUMENT PANEL GROUP - GAS (600636)

Parts List - 600636			
ITEM	PART NO.	QTY	DESCRIPTION
1	12040044	4	NUT-NYLOC M6 X 1.0 ZP CLASS 6
2	3300382	1	GAUGE-FUEL, 2" DIA, 12V
3	3301669	1	PLUG-PLASTIC, 11/16 DIA
4	3323529	3	PLUG-CARLING CONTURA SWITCH
5	3335114	1	SWITCH-ROCKER, OFF MOMENTARY ON
6	3336094	1	GAUGE-HOURMETER DIGITAL SNAP-IN 8-32VDC
7	3342703	1	SWITCH-ROCKER, DPDT CONTURA NO LENS
8	3342705	1	SWITCH-BASE, DPST CONTURA ROCKER
9	3342931	1	INSULATOR-BOOT RED
10	3344038	2	COVER-SWITCH ROCKER BLACK NO LENS
11	3400043	1	SCR-HH 1/4-20 X .50 ZP GR 5 FULL THRD
12	711544	2	WASHER-LOCK 1/4 SPLIT ZP
13	3400384	4	WASHER-CONICAL SPRING 5/16
14	600474	1	WELDMENT CONSOLE, ORANGE
	600474BR		WELDMENT CONSOLE, BURGUNDY
15	600560	1	PLATE WEAR,SS
16	600912	4	SCR-SHCS M6-1.00 X 16 ZP
17	600934	4	NUT-FLANGE WIZZ M8-1.25 ZP
18	620295	1	BRACKET, ENGINE HARNESS
19	3400071	1	NUT-HEX 1/4-20 ZP GR 5
20	715922	1	DECAL-DASHBOARD-VALVE GROUP PB620
21	715934	1	DECAL BROOMS ATLAS
22	715936	1	DECAL WARNING LIGHTS ATLAS
23	715937	1	DECAL ENGINE ATLAS
24	717024	4	SCR-HH M8-1.25 X 20 ZP GRADE 8.8
25	740132	1	INSULATOR (ELECTRICAL)- 1/4-20 INSERT
26	742057	1	SWITCH, ROCKER SPST, 20A, 12VDC
27	748995	4	LIGHT ASSY, INDICATOR RED - LED
28	748996	1	LIGHT ASSY, INDICATOR AMBER - LED
29	749072	1	SWITCH-IGNITION W/HARNESS
30	749073	1	SWITCH-HORN W/HARNESS
31	833638	1	BRASS STUD- 1/4-20 X 1"
32	PART OF 3300382	2	LOCKWASHER, EXT #8
33	PART OF 3300382	1	RETAINER, GAUGE
34	PART OF 3300382	2	NUT, #8-32
35	PART OF 749072	1	NUT, KEYSWITCH
36	PART OF 749072	1	KEY
37	PART OF 749073	1	CAP, HORN SWITCH
38	PART OF LED	5	SEAL, FOR LED INDICATOR LIGHT
39	REFERENCE	1	FRAME
	3301345-1	1	WIRE ASSY, FUEL GAUGE LIGHT
	749093	1	HARNESS, FUEL GAUGE

INSTRUMENT PANEL GROUP - LPG (600700)

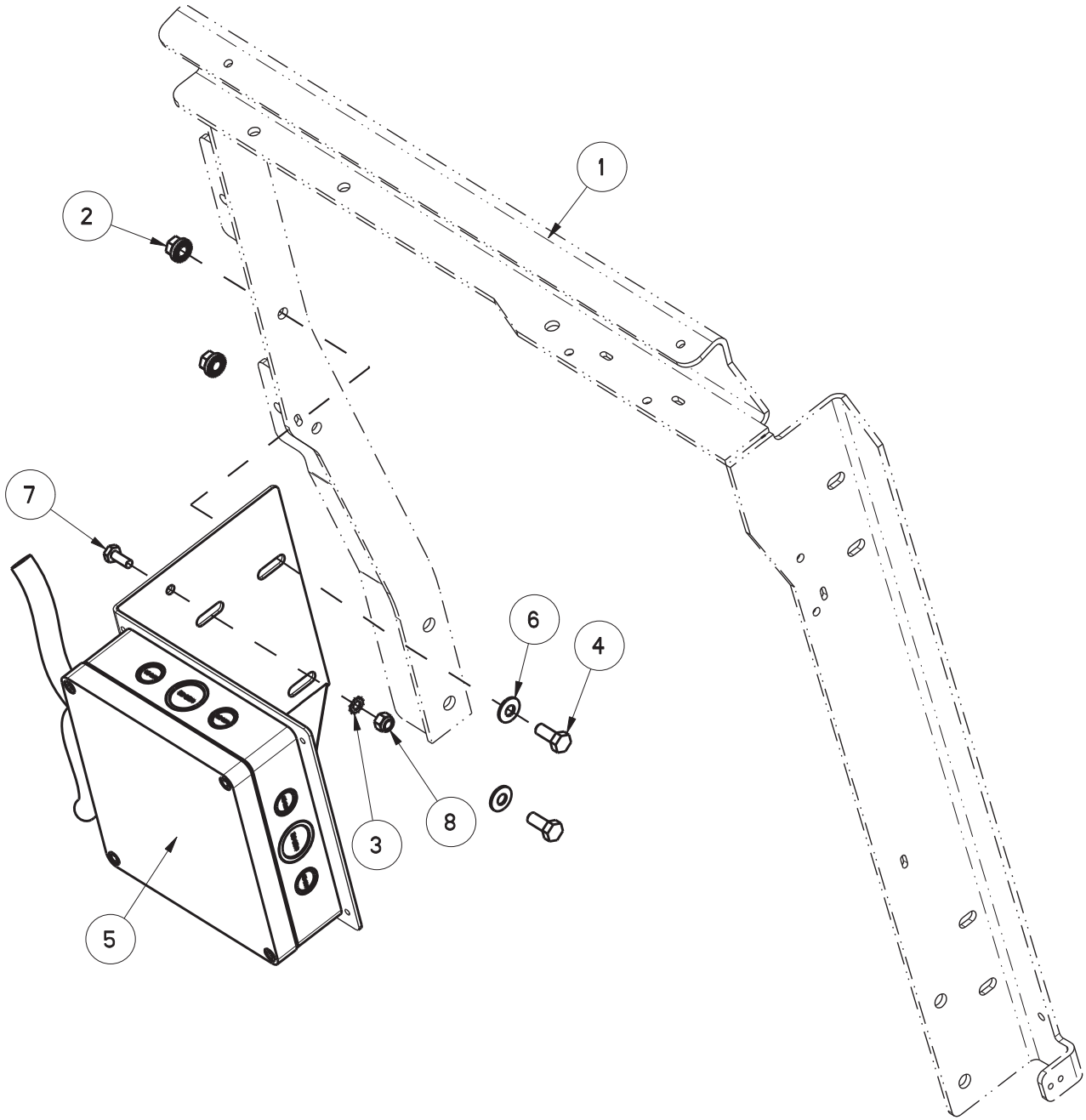


REV G

INSTRUMENT PANEL GROUP - LPG (600700)

Parts List - 600700			
ITEM	PART NO.	QTY	DESCRIPTION
1	12040044	4	NUT-NYLOC M6 X 1.0 ZP CLASS 6
2	3301669	1	PLUG-PLASTIC, 11/16 DIA
3	3301822	1	PLUG-PLASTIC 2.00" DIA, (FOR GAUGES)
4	3323529	3	PLUG-CARLING CONTURA SWITCH
5	3335114	1	SWITCH-ROCKER, OFF MOMENTARY ON
6	3336094	1	GAUGE-HOURMETER DIGITAL SNAP-IN 8-32VDC
7	3342703	1	SWITCH-ROCKER, DPDT CONTURA NO LENS
8	3342705	1	SWITCH-BASE, DPST CONTURA ROCKER
9	3342931	1	INSULATOR-BOOT RED
10	3344038	3	COVER-SWITCH ROCKER BLACK NO LENS
11	3400043	1	SCR-HH 1/4-20 X .50 ZP GR 5 FULL THRD
12	711544	2	WASHER-LOCK 1/4 SPLIT ZP
13	3400384	4	WASHER-CONICAL SPRING 5/16
14	600474	1	WELDMENT CONSOLE, ORANGE
	600474BR		WELDMENT CONSOLE, BURGUNDY
15	600560	1	PLATE WEAR,SS
16	600912	4	SCR-SHCS M6-1.00 X 16 ZP
17	600934	4	NUT-FLANGE WIZZ M8-1.25 ZP
18	620295	1	BRACKET, ENGINE HARNESS
19	3400071	1	NUT-HEX 1/4-20 ZP GR 5
20	715922	1	DECAL-DASHBOARD-VALVE GROUP PB620
21	715934	1	DECAL BROOMS ATLAS
22	715936	1	DECAL WARNING LIGHTS ATLAS
23	715937	1	DECAL ENGINE ATLAS
24	717024	4	SCR-HH M8-1.25 X 20 ZP GRADE 8.8
25	740132	1	INSULATOR (ELECTRICAL)- 1/4-20 INSERT
26	742057	1	SWITCH, ROCKER SPST, 20A, 12VDC
27	748995	4	LIGHT ASSY, INDICATOR RED - LED
28	748996	1	LIGHT ASSY, INDICATOR AMBER - LED
29	749072	1	SWITCH-IGNITION W/HARNESS
30	749073	1	SWITCH-HORN W/HARNESS
31	833638	1	BRASS STUD- 1/4-20 X 1"
32	PART OF 749072	1	NUT, KEYSWITCH
33	PART OF 749072	1	KEY
34	PART OF 749073	1	CAP, HORN SWITCH
35	REFERENCE	1	FRAME
36	REFERENCE	5	SEAL FOR LED INDICATOR LIGHT

ELECTRICAL GROUP - DIESEL (600612)

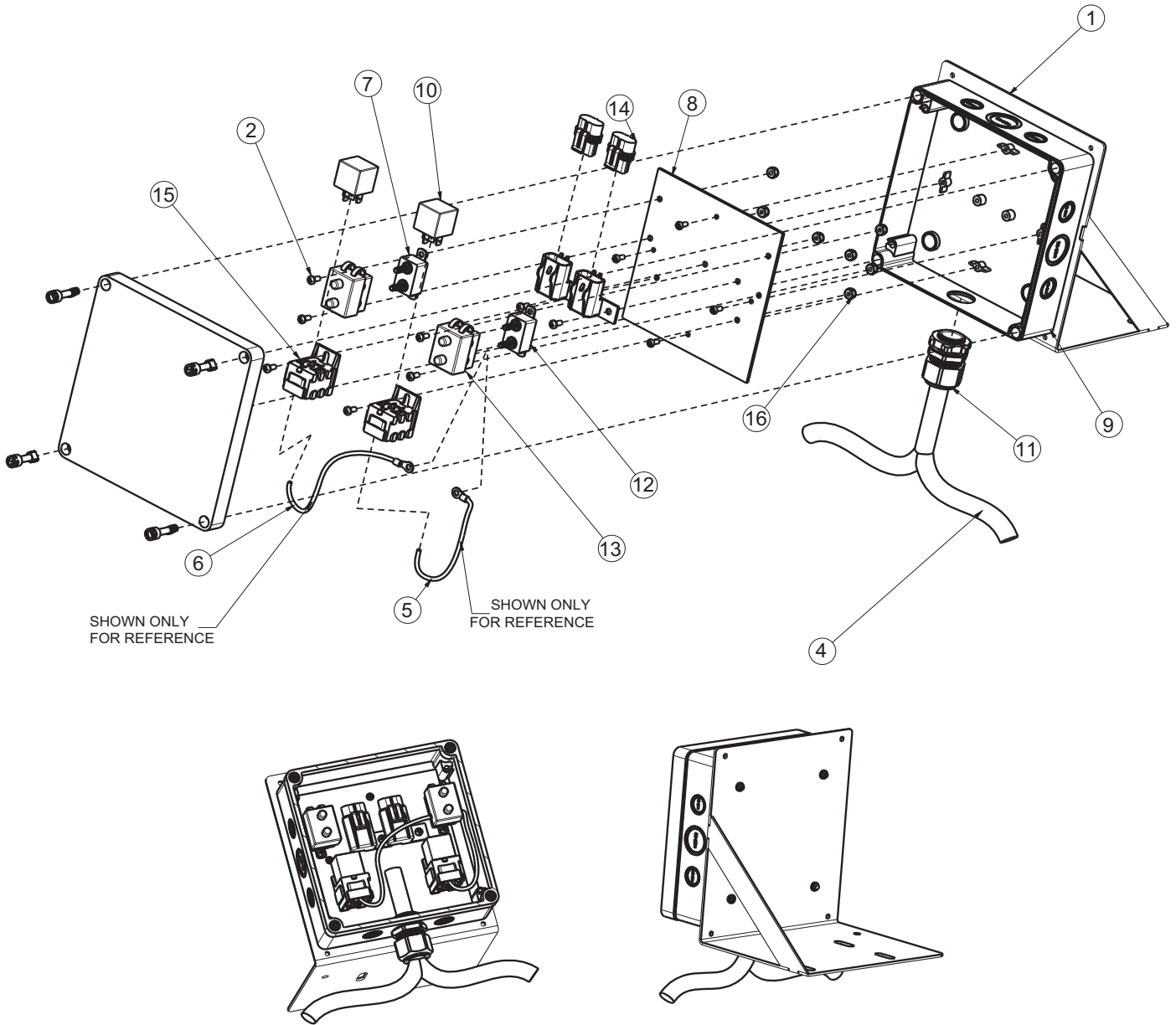


REV B

ELECTRICAL GROUP - DIESEL (600612)

Parts List - 600612			
ITEM	PART NO.	QTY	DESCRIPTION
1	600356	1	WELDMENT COVER FRAME
2	600934	2	NUT-FLANGE WIZZ M8-1.25 ZP
3	711564	1	WSR-EXTERNAL LOCK 1/4
4	717024	2	SCR-HH M8-1.25 X 20 ZP GRADE 8.8
5	748769	1	DIESEL CONTROL BOX
6	3400384	2	WASHER-CONICAL SPRING 5/16
7	11038072	1	SCR-HH M6-1.0 X 16 ZP CLASS 8.8
8	12040044	1	NUT-NYLOC M6 X 1.0 ZP CLASS 6

DIESEL CONTROL BOX (748769)

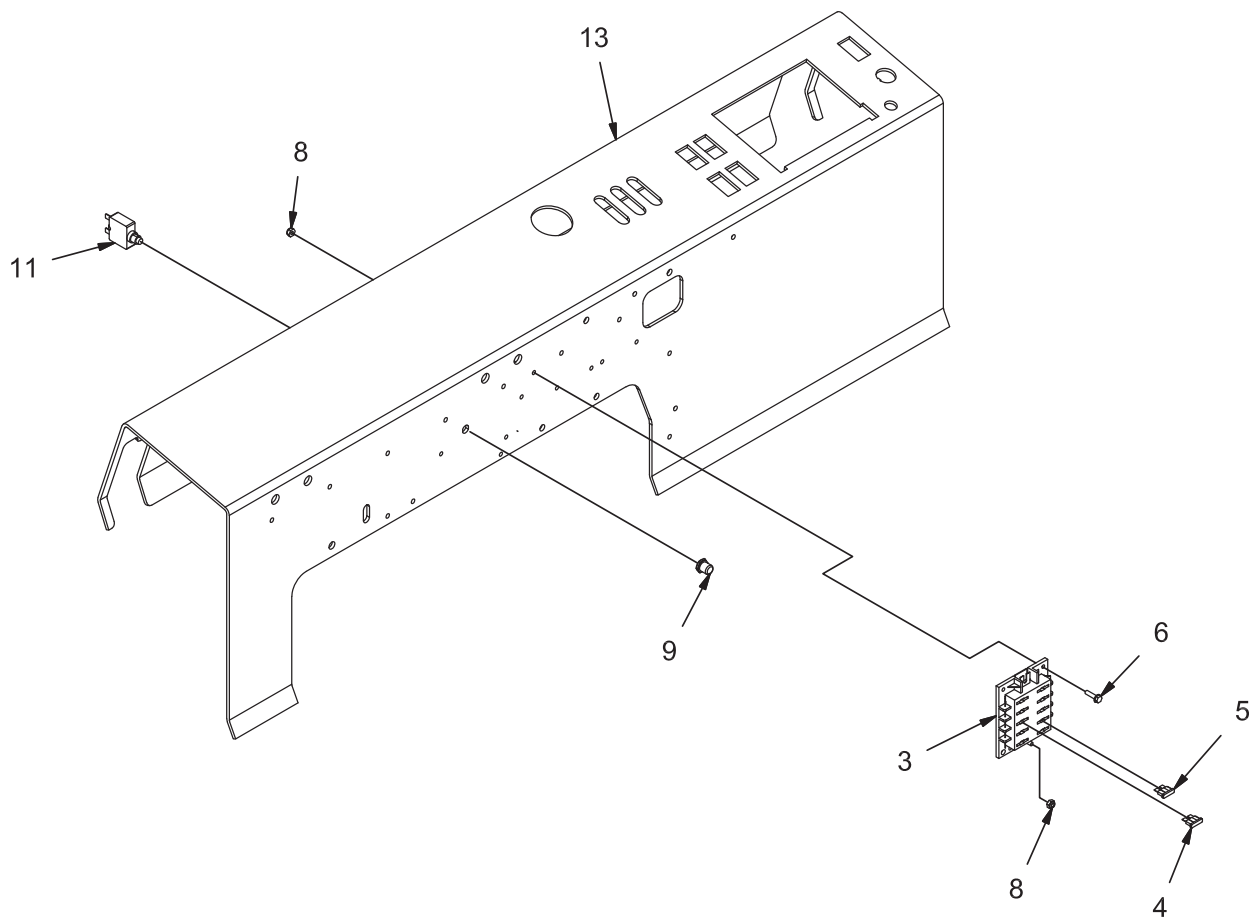


REV C

DIESEL CONTROL BOX (748769)

Parts List - 748769			
ITEM	PART NUMBER	QTY	DESCRIPTION
1	690042	1	BRKT, MTG, WELD, DSL CONTROL BOX
2	710328	8	SCR-RHMS 8-32 X .37 ZP
3	712540	4	SCR-THMS 10-24 X .37 SS
4	748447	1	WIRING HARNESS, DSL CONTROL BOX
5	748447-1	1	WIRE ASSY, ORANGE
6	748447-2	1	WIRE ASSY, YELLOW
7	748762	1	CIRCUIT BREAKER, 12V 50A
8	748763-MCH	1	MOUNTING PLATE, MACHINED
9	748764	1	ENCLOSURE W/ METRIC KNOCKOUTS
10	748767	2	RELAY, 14 VDC 50/30 A
11	748768	1	CORDGRIP, M25, LIQUID TIGHT
12	748962	1	CIRCUIT BREAKER, 12V 40A
13	748963	2	CIRCUIT BREAKER BOOT
14	748964-1	2	ASSY, FUSE HOLDER
15	748967	2	SOCKET, RELAY
16	711372	8	NUT-NYLOC 8-32 ZP

ELECTRICAL GROUP (600880)

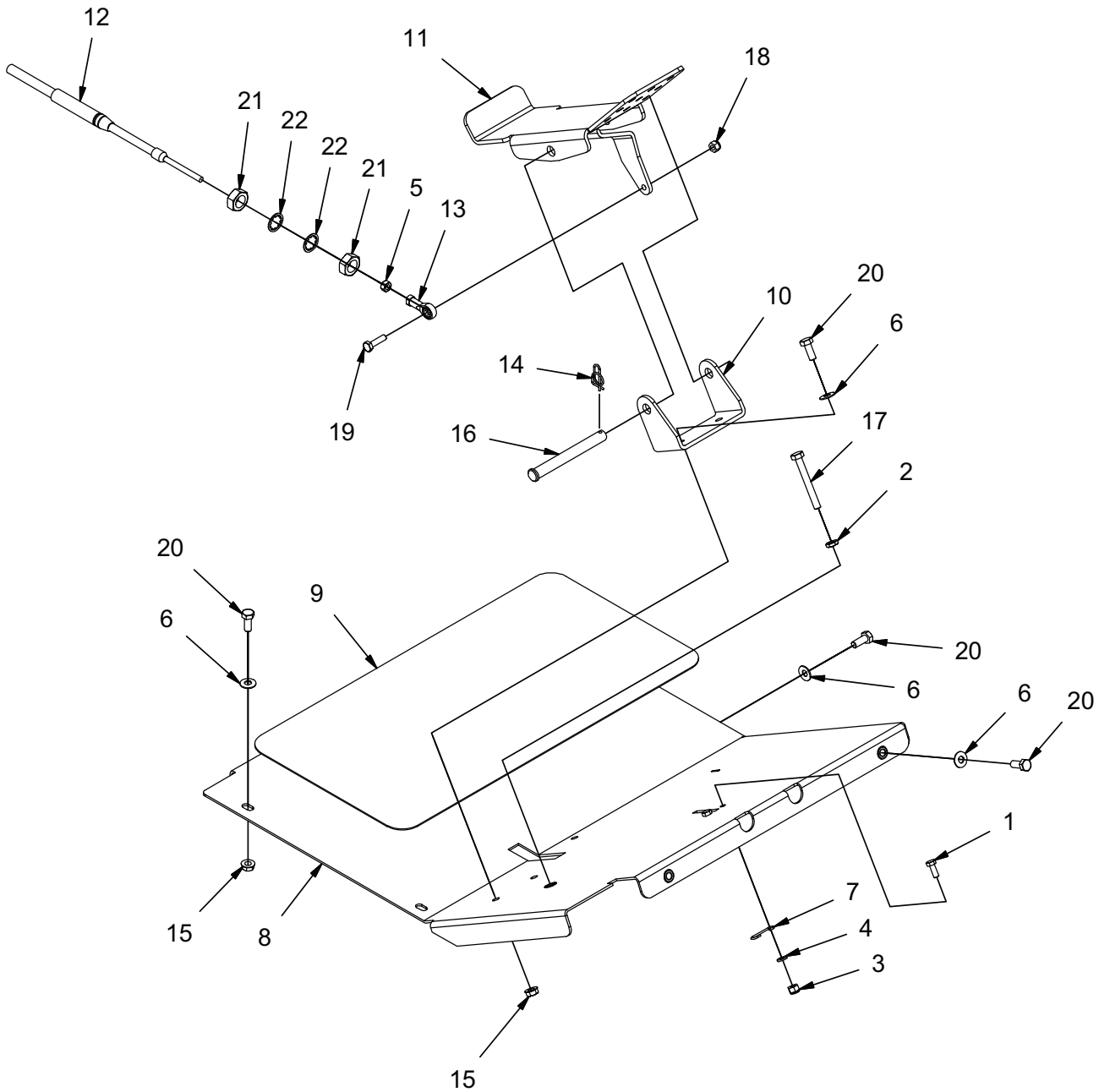


REV F

ELECTRICAL GROUP (600880)

Parts List - 600880			
ITEM	PART NO.	QTY	DESCRIPTION
3	3322599	1	FUSE BLOCK
4	3322601	6	FUSE, 15A
5	3335329	4	FUSE, 10A
6	3400045	1	SCR-PHMS 8-32X0.62 ZP SLOT HEAD
7	710556	4	SCREW, FHMS, 10-32 X .75 ZP
8	711350	2	NUT, 10-32, ESN
9	742748	1	BOOT, CIRCUIT BREAKER
10	749136	1	HARNESS, MAIN
11	748904	1	CIRCUIT BREAKER, 40A
13	REFERENCE	1	FRAME

DIRECTIONAL CONTROL GROUP (600681)

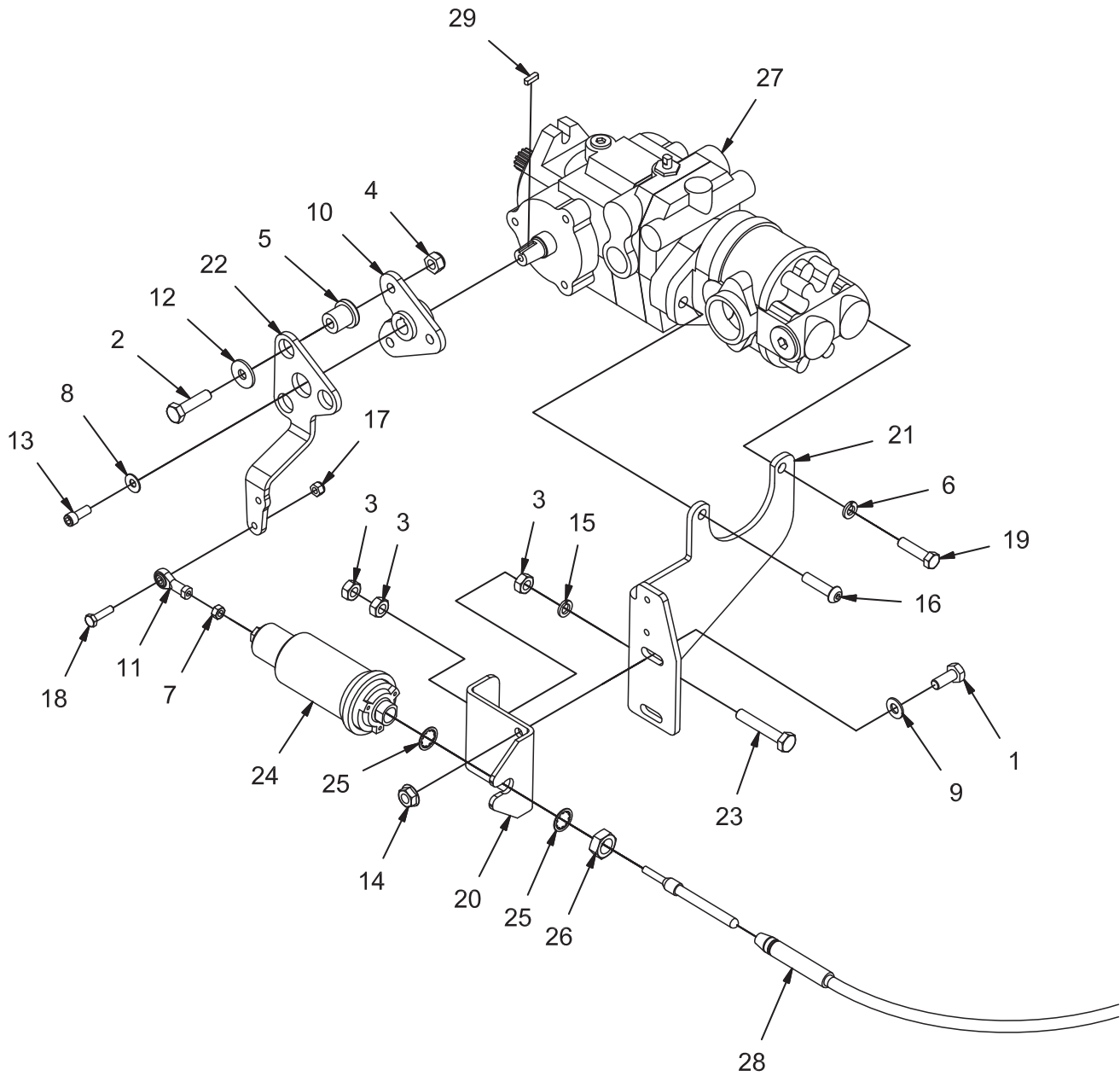


REV *

DIRECTIONAL CONTROL GROUP (600681)

Parts List - 600681			
ITEM	PART NO.	QTY	DESCRIPTION
1	11038072	2	BOLT, M6-100 X 16 HH
2	12012019	1	NUT, M8-1.25 JAM
3	12040044	2	NUT, M6-1.00 ESN
4	12310033	2	WASHER, M6
5	3400180	1	NUT, 1/4-28
6	3400384	8	WASHER, 5/16 BELLEVILLE
7	600125	1	CATCH, PARKING BRAKE
8	600128-1	1	WELDMENT, FLOOR
9	600133	1	PAD, FLOOR
10	600134	1	BRACKET, F/R PEDAL
11	600135	1	PEDAL, F/R
12	600136	1	CABLE, DIR CONTROL
13	600175	1	ROD END, FEM 1/4-28
14	600578	1	RUE-RING, .50
15	600934	4	NUT, M8-1.25 FLNG
16	620027	1	PIN, CLEVIS 1/2 X 4.50
17	620033	1	BOLT, M8-1.25 X 65 HH
18	711377	1	NUT, FIBER INSERT 1/4-20
19	713003	1	SCREW, 1/4-20 X 1.00 HH
20	717024	8	BOLT, M8-1.25 X 20 HH
21	PART OF 600136	2	NUT, 5/8-18 JAM
22	PART OF 600136	2	LOCK WASHER

PUMP LINKAGE GROUP (600608)

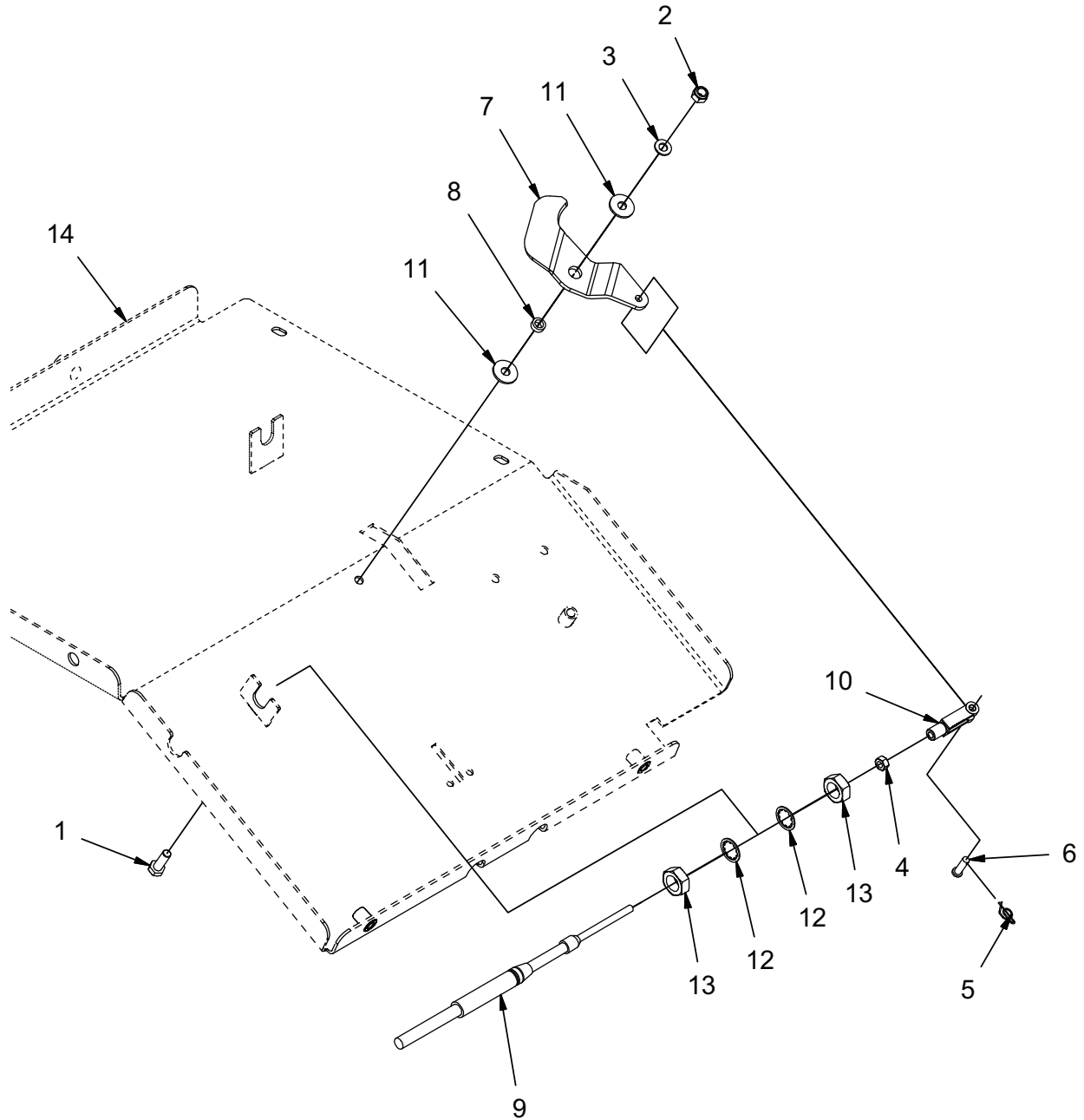


REV B

PUMP LINKAGE GROUP (600608)

Parts List - 600608			
ITEM	PART NO.	QTY	DESCRIPTION
1	11038346	2	BOLT, M10-1.50 X 25 HH
2	11038395	3	BOLT, M10-1.50 X 40 HH
3	12022067	3	NUT, M10-1.50 HEX
4	12040069	3	NUT, M10-1.50 ESN
5	3300465	3	ISOLATOR, VIB
6	711546	2	LOCK WASHER, 3/8 HS MED
7	3400180	1	NUT, 1/4-28
8	3400384	1	WASHER, 5/16 BELLEVILLE
9	3400385	2	WASHER, 3/8. BELLEVILLE
10	600141	1	WELDMENT, DIR CONT HUB
11	600175	1	ROD END, FEM 1/4-28
12	600363	3	WASHER, ISOLATOR
13	600895	1	BOLT, 5/16-24 X .75 SHCS
14	600936	2	NUT, M10-1.50 FLNG
15	600945	1	LOCK WASHER, M10
16	710987	1	SCR-BHSCS 3/8-16 X 1.50 ZP
17	711377	1	NUT, FIBER INSERT 1/4-20
18	713003	1	SCREW, 1/4-20 X 1.00 HH
19	713044	2	SCREW, 3/8-16 X 1.500 HHC
20	730426	1	ADJUSTER, HYDROBACK
21	730427	1	MOUNT, HYDROBACK
22	730451	1	ARM, DIR CONTROL
23	730481	1	SCR-HH M10-1.50 X 60 ZP CLASS 8.8
24	731181	1	HYDROBACK CENTERING UNIT, 10 LB
25	PART OF CABLE ASSY	2	LOCK WASHER
26	PART OF CABLE ASSY	1	NUT, 5/8-18 JAM
27	REFERENCE	1	PUMP, PROPULSION
28	REFERENCE	1	CABLE, PUSH-PULL
29	WITH PUMP	1	KEY

SPEED RESTRICTION GROUP - 1 (600684)

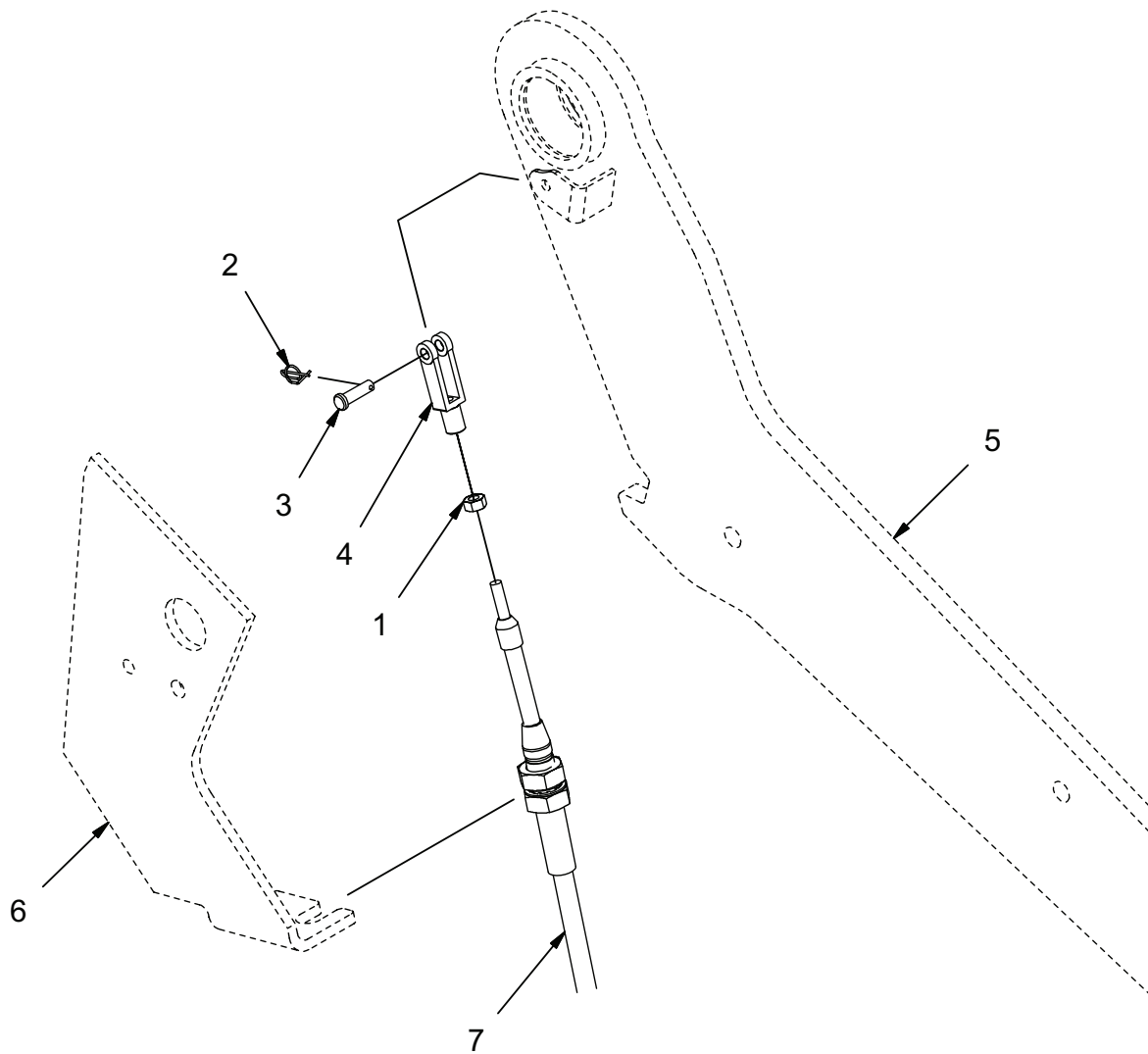


REV *

SPEED RESTRICTION GROUP - 1 (600684)

Parts List - 600684			
ITEM	PART NO.	QTY	DESCRIPTION
1	11038247	1	BLT-HH M8-125 X 25 STL ZINC
2	12040051	1	NUT, M8-1.25 ESN
3	12310041	1	WASHER, M8
4	3400180	1	NUT, 1/4-28
5	3400742	1	RUE-RING, .25
6	3400932	1	PIN, CLEVIS, .25 X .88
7	600137	1	BRACKET, PEDAL STOP
8	600138	1	SPACER, .328 B .500 OD .188 T
9	600139	1	CABLE, SPEED LIMIT
10	600176	1	CLEVIS, FEM, 1/4-28
11	600940	2	WASHER, M8 FENDER
12	PART OF 600139	2	LOCK WASHER
13	PART OF 600139	2	NUT, 5/8-18 JAM
14	REFERENCE	1	FLOOR PANEL

SPEED RESTRICTION GROUP - 2 (600684)

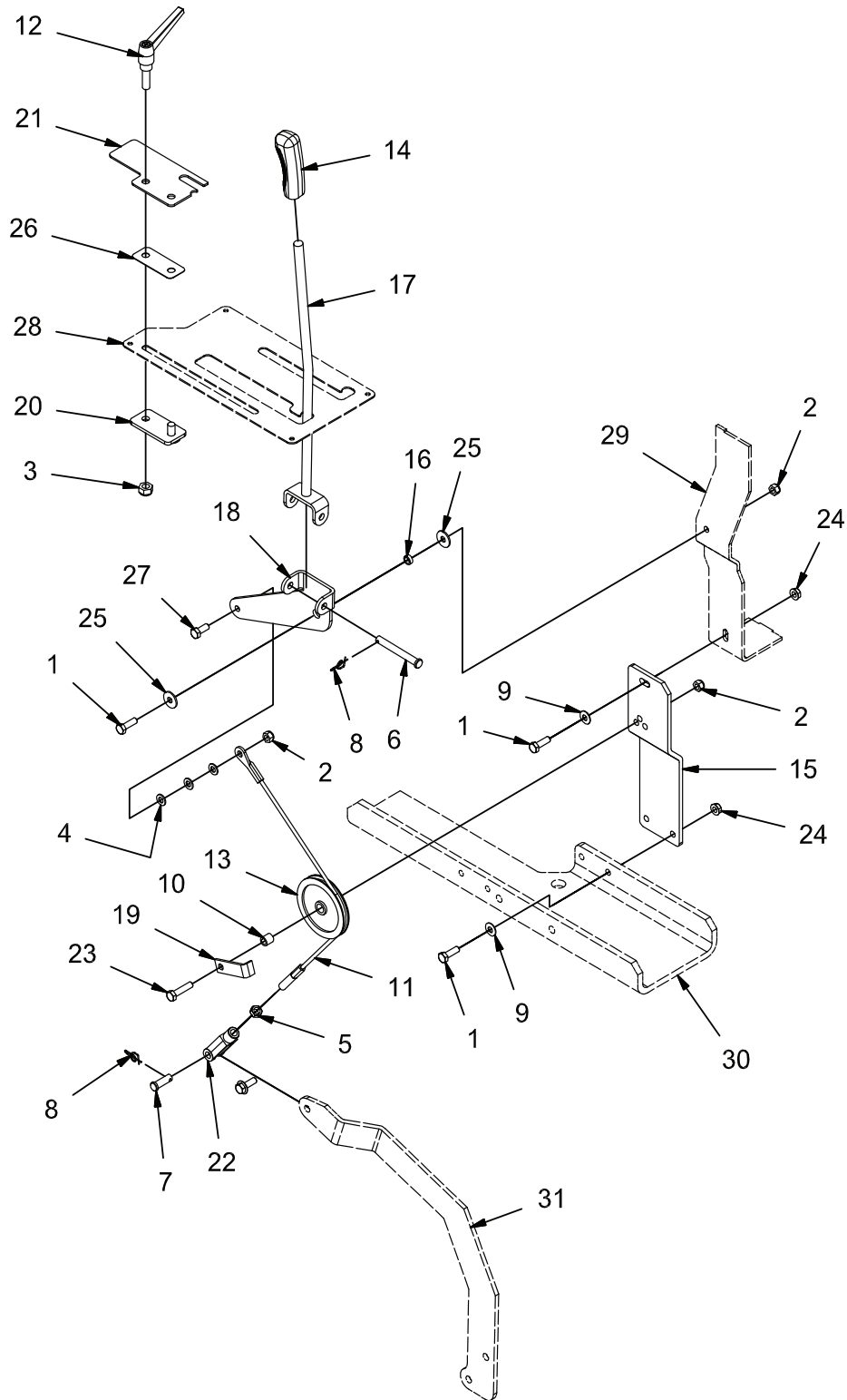


REV *

SPEED RESTRICTION GROUP - 2 (600684)

Parts List - 600684			
ITEM	PART NO.	QTY	DESCRIPTION
1	3400180	1	NUT, 1/4-28
2	3400742	1	RUE-RING, .25
3	3400932	1	PIN, CLEVIS, .25 X .88
4	600176	1	CLEVIS, FEM, 1/4-28
5	REFERENCE	1	HOPPER, LIFT ARM
6	REFERENCE	1	FRAME
7	PART OF 600139	1	CABLE, SPEED LIMIT

MAIN BROOM LIFT GROUP (600660)

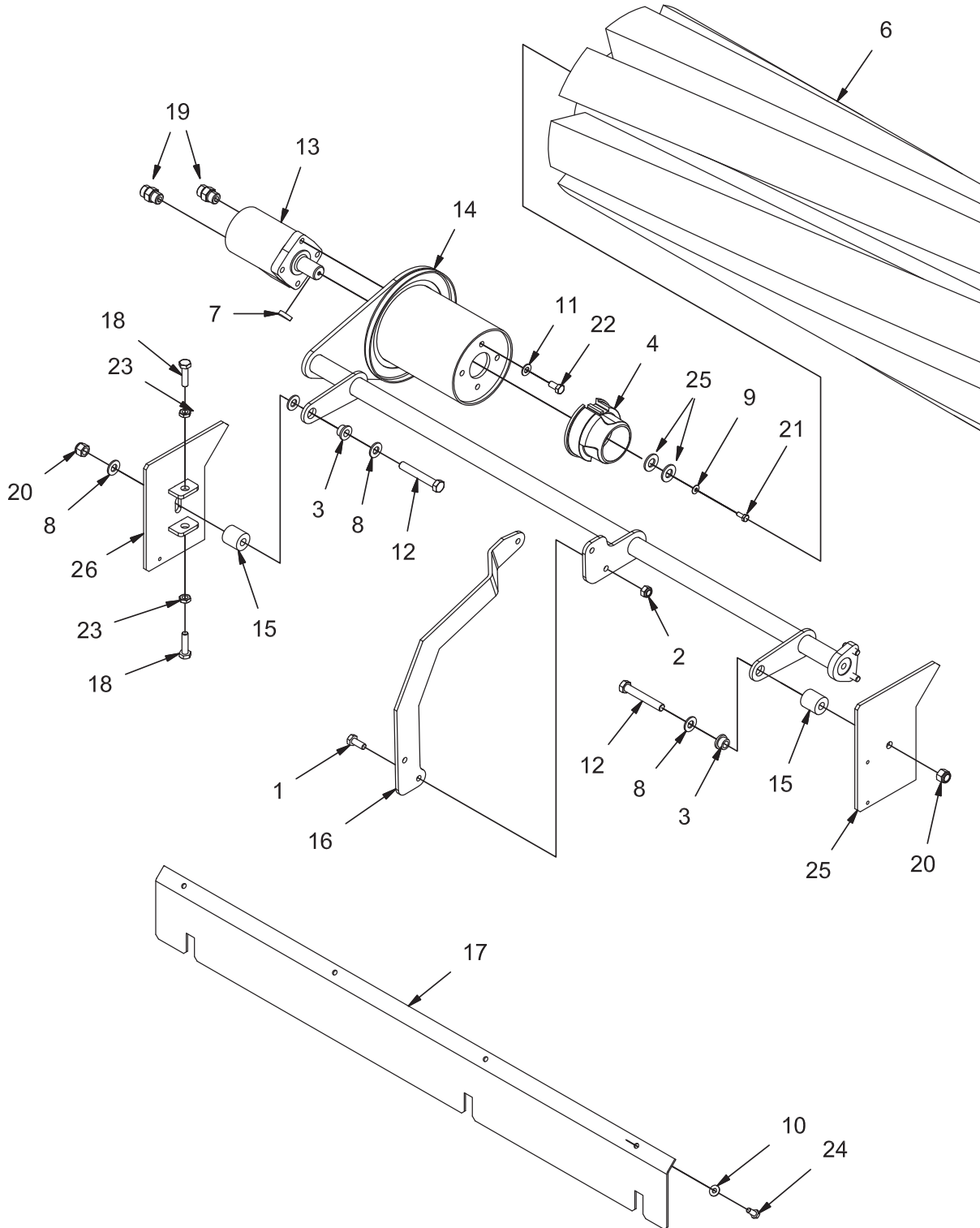


REV E

MAIN BROOM LIFT GROUP (600660)

Parts List - 600660			
ITEM	PART NO.	QTY	DESCRIPTION
1	11038247	4	BLT-HH M8-125 X 25 STL ZINC
2	12040051	3	NUT, M8-1.25 ESN
3	12040069	1	NUT, M10-1.50 ESN
4	12310041	3	WASHER, M8
5	3400075	1	NUT, HEX JAM 3/8-24
6	3400115	1	PIN, CLEVIS, .375 X 3.00
7	3400117	1	PIN, CLEVIS 3/8 X 1.125
8	3400125	2	RUE-RING, .375
9	3400384	3	WASHER, 5/16 BELLEVILLE
10	600114	1	SPACER, .328 B .498 OD .500 T
11	600172	1	CABLE, 18.56 OAL
12	600260	1	KNOB, LEVER
13	600261	1	PULLEY, .50 B. 3.00 D, .44 T
14	600264	1	HANDLE GRIP, CONTOURED
15	600464	1	BRACKET, MB PULLEY
16	600528	1	SPACER, .344 B .496 OD .189 T
17	600545	1	WELDMENT, MB LEVER
18	600548	1	MB LEVER ARM
19	600549	1	RETAINER, 3.0 CABLE
20	600550	1	WELDMENT, MB LOCK
21	600552	1	MB ADJ PLT
22	600813	1	CLEVIS, 3/8-24
23	600918	1	BOLT, M8-125 X 35 HH
24	600934	3	NUT, M8-1.25 FLNG
25	600940	2	WASHER, M8 FENDER
26	600998	1	PLATE, SLIDE
27	717024	1	BOLT, M8-1.25 X 20 HH
28	REFERENCE	1	PLATE, WEAR
29	REFERENCE	1	CONSOLE
30	REFERENCE	1	FRAME
31	REFERENCE	1	MAIN BROOM ARM

MAIN BROOM GROUP (600632-1)

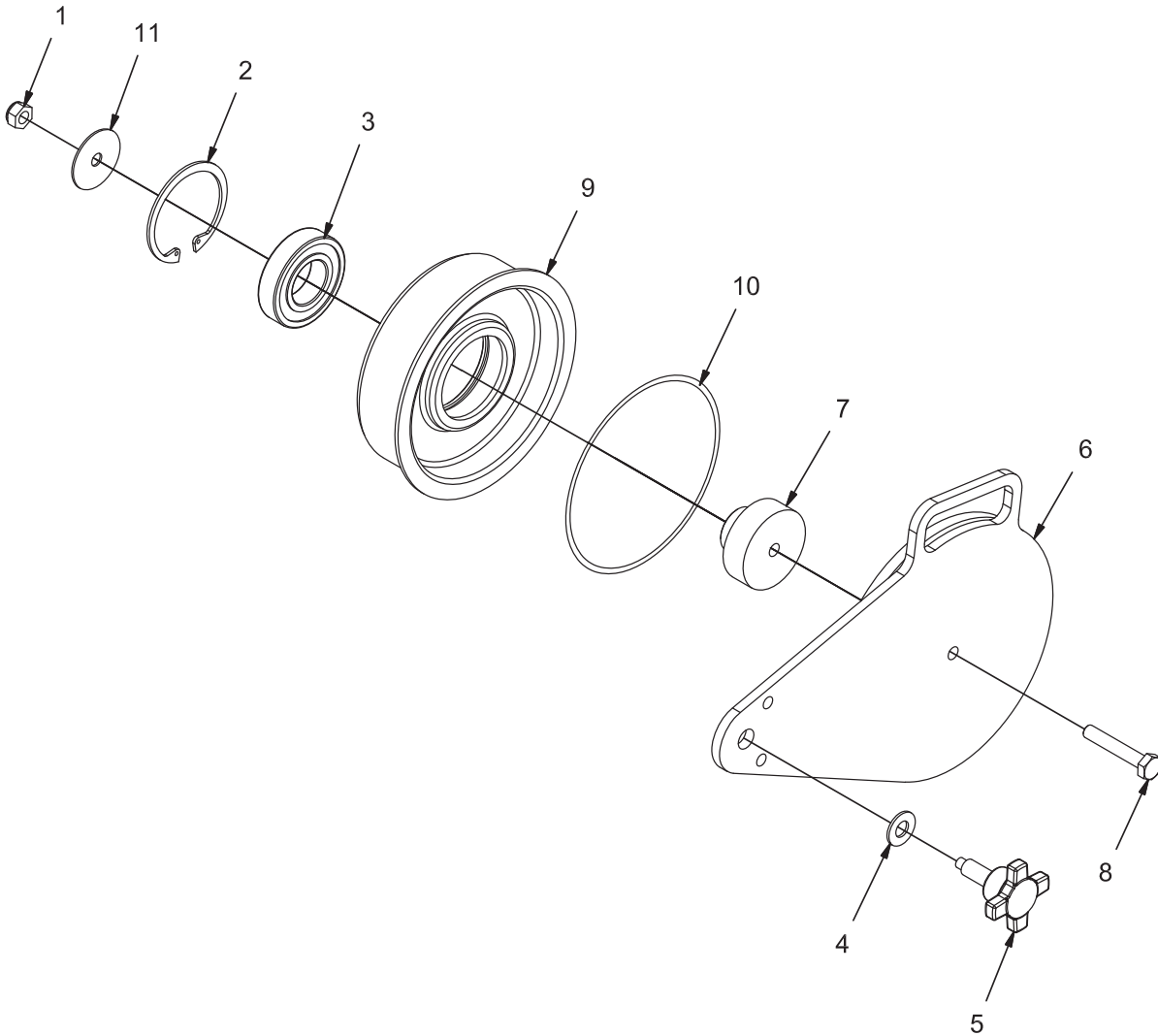


REV A

MAIN BROOM GROUP (600632-1)

PARTS LIST - 600632-1			
ITEM	PART NO.	QTY	DESCRIPTION
1	11038346	2	SCR-HH M10-1.5 X 25 ZD CLASS 8.8
2	12040069	2	NUT-NYLOC M10 X 1.5 ZD CLASS 6
3	3300432	2	BUSHING-FL-52-4
4	731304-1	1	HUB-MB DRIVE
6	3305663-PH	1	BROOM-48" PROEX & WIRE (STANDARD)
	3305665-PH		BROOM, 48" HIGH DENSITY NYLON, PH (OPTION)
	3305812-PH		BROOM, 48" NYLON, PH (OPTION)
	3305814-PH		BROOM-48" NYL CHEVRON (PATROL), PH (OPTION)
	3305818-PH		BROOM, 48" HIGH DEN FIBER & WIRE, PH (OPTION)
	3315315-PH		BROOM-48" STIFF NYLON, PH (OPTION)
	3332542-PH		BROOM-48" SCRUB MID GRIT, PH (OPTION)
	3332543-PH		BROOM-48" SCRUB STIFF POLY, PH (OPTION)
	3333483-PH		BROOM, 48" TRIPLE ROW POLY, PH (OPTION)
7	3330338	4	KEY-SHAFT D-FOSS CB/MB/SC MTRS
8	3400086	3	WASHER-FLAT 1/2 ZP
9	3400383	1	WASHER-CONICAL SPRING 1/4
10	3400384	4	WASHER-CONICAL SPRING 5/16
11	3400385	2	WASHER-CONICAL SPRING 3/8
12	3400761	1	SCR-HH 1/2-13 X 3.25 ZP GR 5
13	600267	1	MOTOR 2.8 DISP
14	600290	2	WELDMENT MAIN BROOM ARM ,BLACK
15	600520	1	SPACER
16	600561	1	ARM MB LIFT, BLACK
17	600562	2	GUARD MB SHAFT
18	600962	2	SCR-HH M10-1.50 X 40 ZP FULL THREAD
19	675524	2	FTG-STR THD CONNECTOR -8 ORFS TO -8 SA
20	711376	3	NUT-NYLOC 1/2-13 ZP
21	712562	1	SCR-HH 1/4-20 X .75, 18-8 SS
22	713041	2	SCR-HH 3/8-16 X .75 ZP GR 5
23	717014	4	NUT-HEX M10 X 1.5 ZP
24	717024	1	SCR-HH M8-1.25 X 20 ZP GRADE 8.8
25	712761	2	WASHER-FENDER 1/4 X 1.25 X .059 SS
26	REFERENCE	1	FRAME

IDLER ARM GROUP (600631)

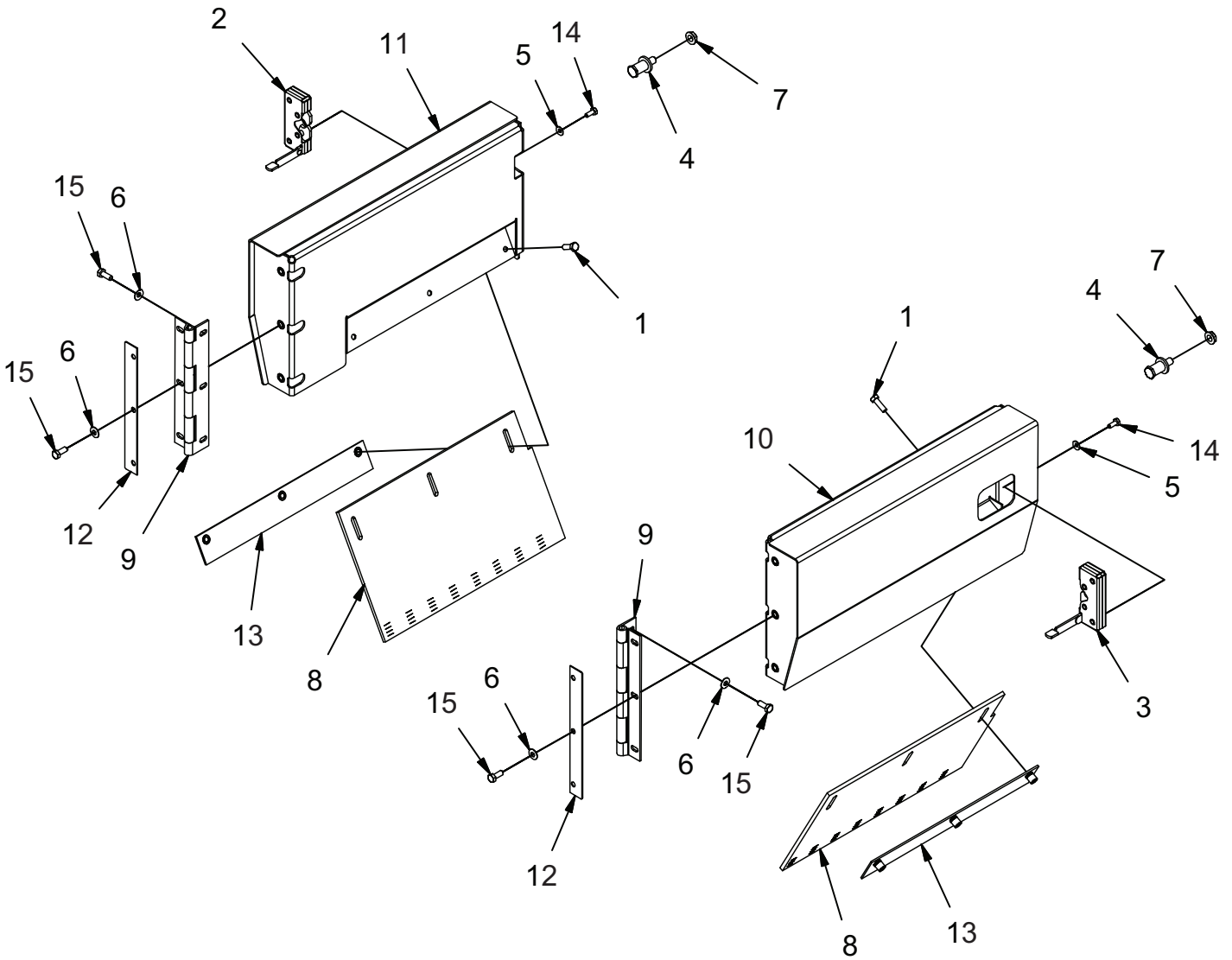


REV B

IDLER ARM GROUP (600631)

Parts List - 600631			
ITEM	PART NO.	QTY	DESCRIPTION
1	12040069	1	NUT-NYLOC M10 X 1.5 ZD CLASS 6
2	3305666	1	RET RING-INT 3.00 X .09 THK MAIN BROOM
3	3305667	1	BEARING-MAIN BROOM 35x72x17 UBC/USBC
4	3400387	1	WASHER-CONICAL SPRING 1/2
5	3400748	1	KNOB-HAND 1/2-13x1-1/2 DOG POINT
6	600298	1	WELDMENT MB IDLER ARM
7	600544	1	MOUNT BEARING, BLACK
8	600925	1	SCR-HH M10-1.5 X 60 ZP CLASS 8.8
9	3305642P	1	IDLER - MAIN BROOM
10	620757	1	ORING, 5.75 ID, BUNA
11	712768	1	WASHER-FLAT .406 X 1.875 SS

MAIN BROOM DOOR GROUP (600640)

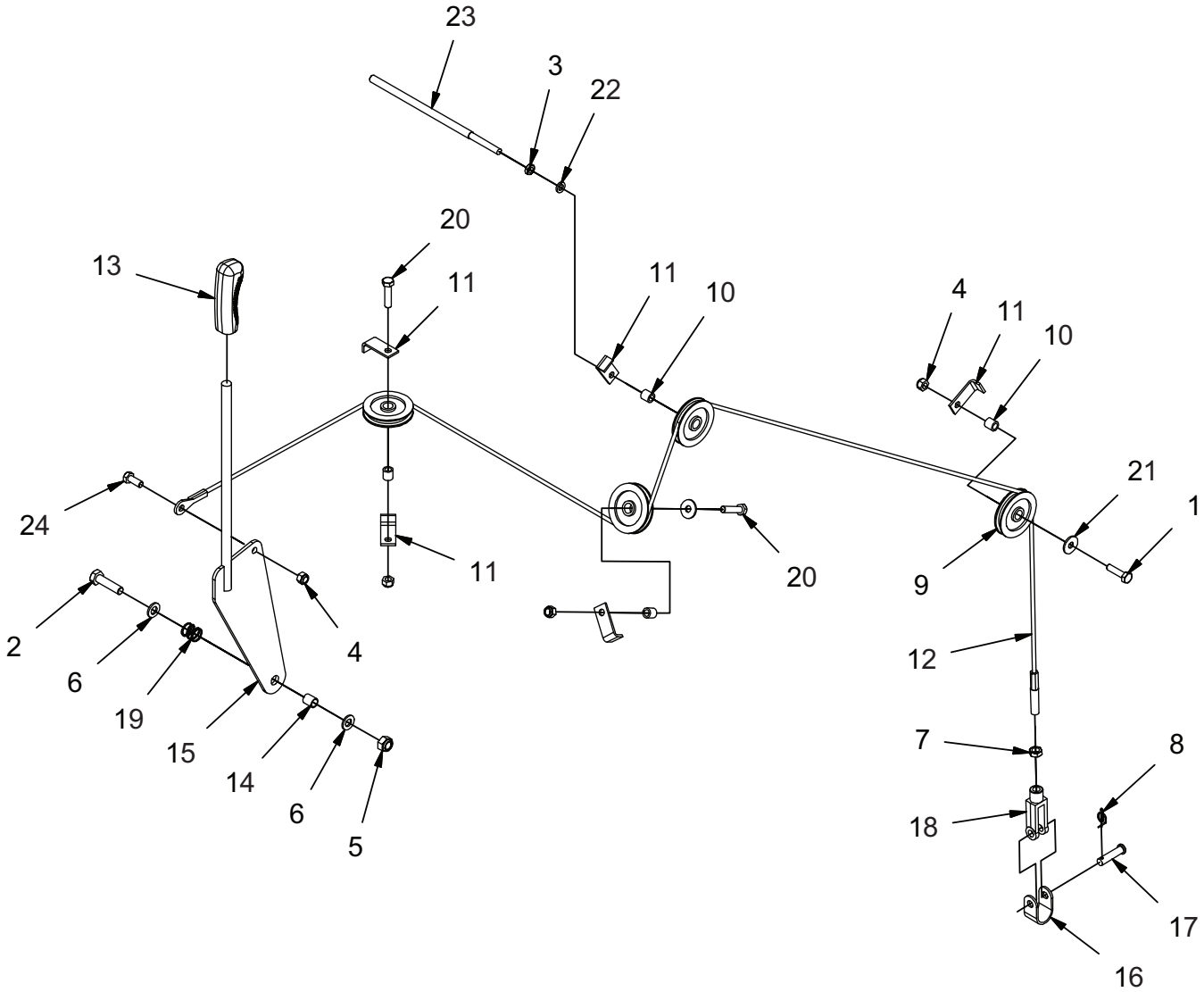


REV *

MAIN BROOM DOOR GROUP (600640)

Parts List - 600640			
ITEM	PART NO.	QTY	DESCRIPTION
1	11038247	6	BLT-HH M8-125 X 25 STL ZINC
2	3307246	1	LATCH, LH
3	3307247	1	LATCH, RH
4	3307248	2	STRIKER-LATCH
5	3400383	4	WASHER, 1/4 BELLEVILLE
6	3400384	12	WASHER, 5/16 BELLEVILLE
7	3400394	2	NUT, 7/16-14 FLNG
8	600227	2	SKIRT, SIDE DOOR
9	600259	2	HINGE, MB
10	600307-1	1	ASSEMBLY, MB DOOR, RH
11	600311-1	1	ASSEMBLY, MB DOOR, LH
12	600314	2	BAR, COVER
13	600316-1	2	ASSEMBLY, DOOR SKIRT RETAINER
14	713001	4	SCREW, 1/4-20 X .625 HHC
15	717024	12	BOLT, M8-1.25 X 20 HH

SIDE BROOM LIFT GROUP (600665)

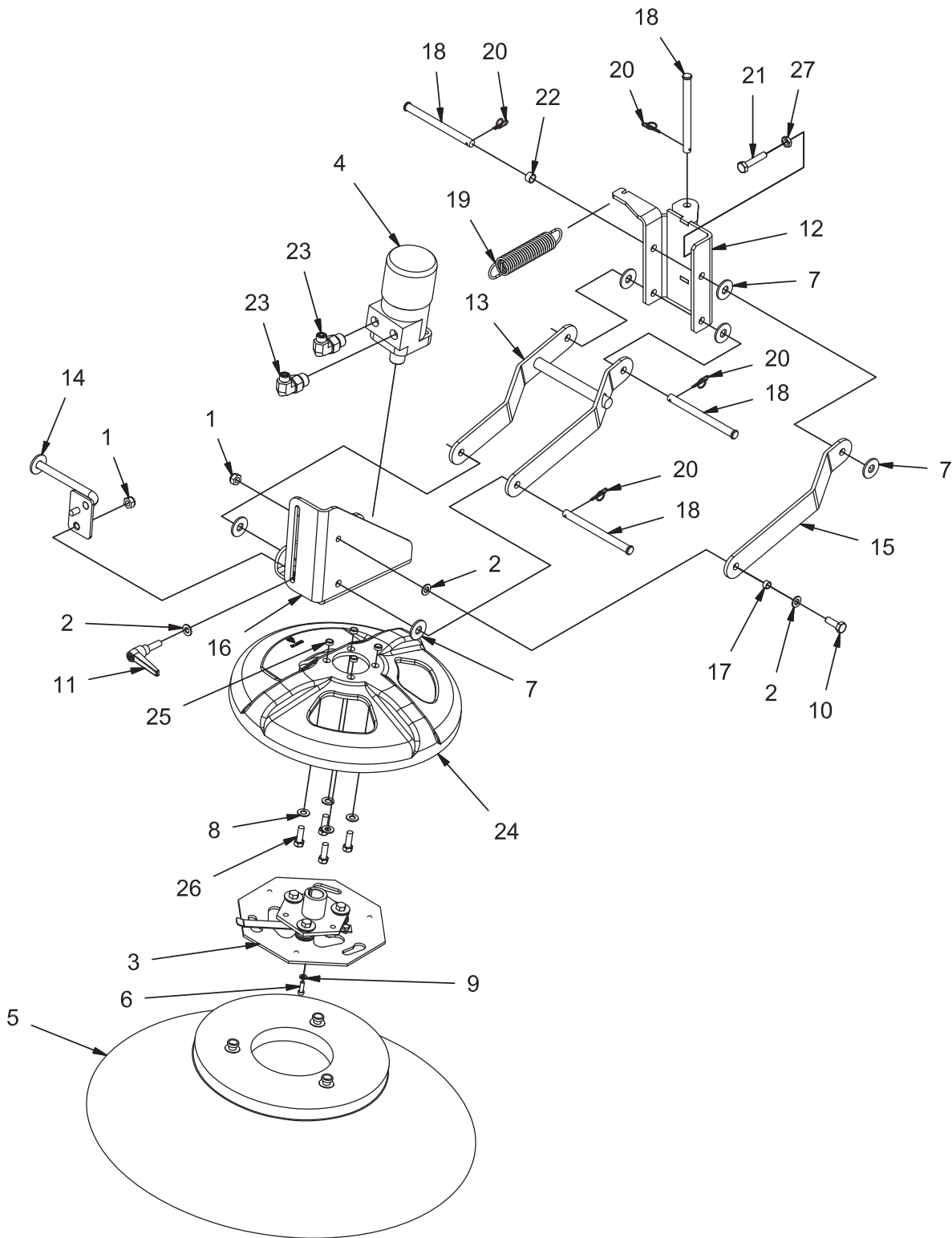


REV A

SIDE BROOM LIFT GROUP (600665)

Parts List - 600665			
ITEM	PART NO.	QTY	DESCRIPTION
1	11038254	1	BOLT, M8-125 X 30 HH
2	11038395	1	BOLT, M10-1.50 X 40 HH
3	12012019	1	NUT, M8-1.25 JAM
4	12040051	4	NUT, M8-1.25 ESN
5	12040069	1	NUT, M10-1.50 ESN
6	12310058	2	WASHER, M10
7	3400075	1	NUT, HEX JAM 3/8-24
8	3400125	1	RUE-RING, .375
9	600113	4	PULLEY, .50 B, 2.00 D, .44 T
10	600114	4	SPACER, .328 B .498 OD .500 T
11	600115	5	RETAINER, CABLE
12	600173	1	CABLE, 81.88 OAL
13	600264	1	HANDLE GRIP, CONTOURED
14	600525	1	SPACER, .406 B .50 OD .57 T
15	600555	1	WELDMENT, SB LEVER
16	600558	1	BRACKET
17	600573	1	PIN, CLEVIS, 3/8 X 1.50
18	600813	1	CLEVIS, 3/8-24
19	600815	1	SPRING, COMP
20	600918	2	BOLT, M8-125 X 35 HH
21	600940	2	WASHER, M8 FENDER
22	600959	1	LOCK WASHER, M8
23	620086	1	BAR, WIRE RETAINER
24	717024	1	BOLT, M8-1.25 X 20 HH

SIDE BROOM GROUP W/ SHROUD (620732)

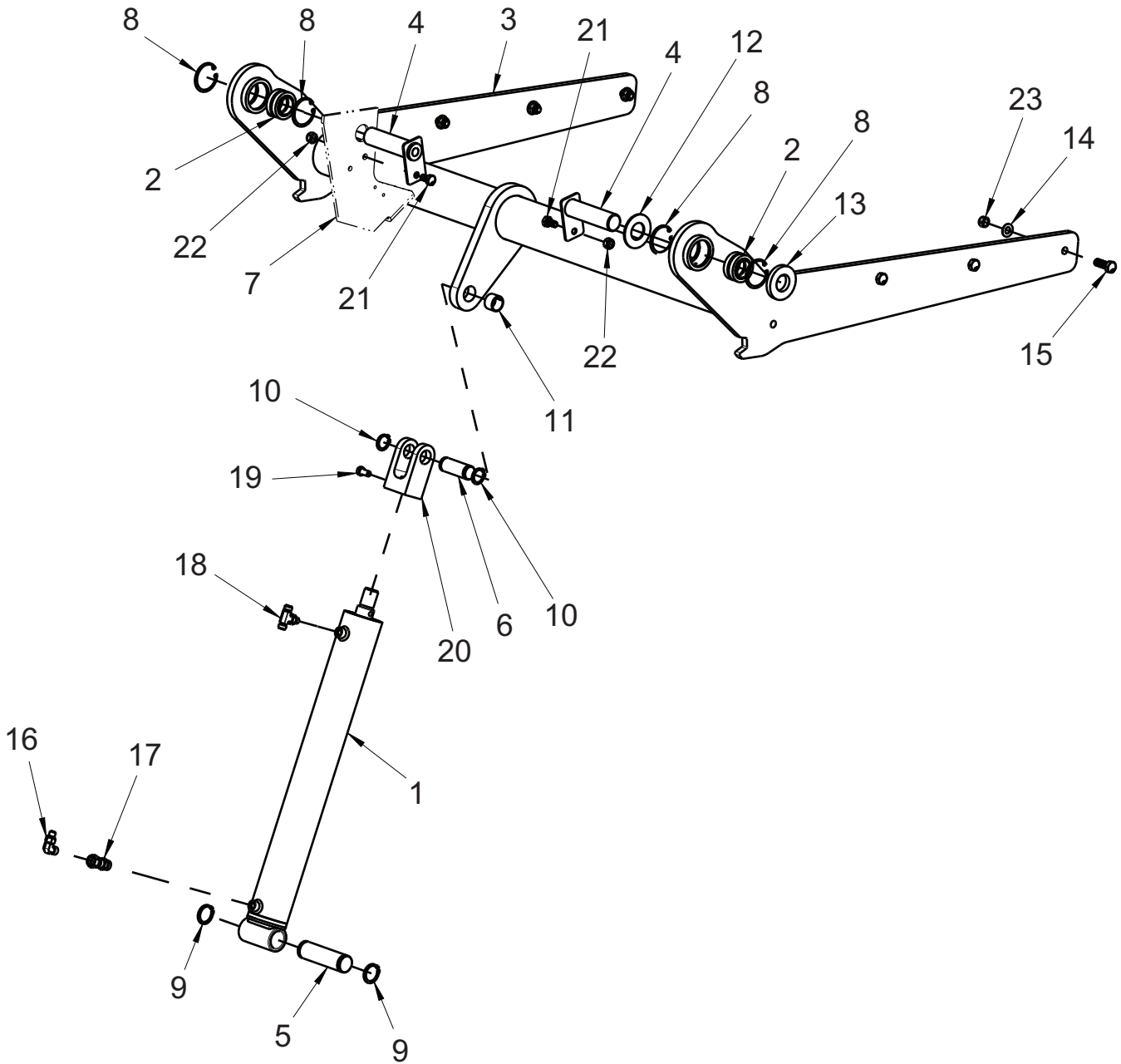


REV B

SIDE BROOM GROUP W/SHROUD (620732)

PARTS LIST - 620732			
ITEM	PART NO.	QTY	DESCRIPTION
1	12040069	2	NUT-NYLOC M10 X 1.5 ZD CLASS 6
2	12310058	3	WASHER-FLAT M10.5 X 20 X 2 ZP
3	3301474	1	ASSY- DRIVE SCRUB BRUSH CB SUB
4	3316897	1	MOTOR-HYD CURB BRM(EXCEPT 62E)
5	3339964	1	BROOM, SIDE 26" POLY (STANDARD)
	3339963		BROOM, SIDE 26" NYLON (OPTION)
6	3400049	1	SCR-SHCS 1/4-20 X 0.75 BLK OX NYL PATCH
7	3400086	6	WASHER-FLAT 1/2 ZP
8	712301	4	WASHER-FLAT 3/8 ZP
9	711544	1	WASHER-LOCK 1/4 SPLIT ZP
10	730878	1	SCR-HH M10-1.5 X 30 SS
11	600260	1	KNOB LEVER
12	600300	1	WELDMENT SB PIVOT,BLACK
13	600303	1	WELDMENT SB TRAILING ARM,BLACK
14	600318	1	WELDMENT SB ADJ, ZP CLEAR
15	600325	1	SB LINK, BLACK
16	600326	1	SB MOTOR MNT, RIGHT BLACK
17	600327	1	SPACER 0.406 B 0.50 OD 0.375 T
18	600571	4	PIN CLEVIS 1/2 X 6"
19	600572	1	SPRING EXT .14W 1.25OD 6.5L
20	600578	4	RING-RUE .50 ZP
21	600926	1	SCR-HH M10-1.5 X 80 SS FULL THREAD
22	600993	1	SPACER .516 B .625 OD .375 T
23	675532	2	FTG-ORFS 90 ELBOW -6 -10 SAE
24	690773	1	SHROUD, SIDE BROOM
25	690784	4	SPACER- .500 OD, .382 ID, .188 THK, ALU
26	711251	4	SCR-HH 3/8-16 X 1.125 GR 5 ZP
27	717014	1	NUT-HEX M10 X 1.5 ZP

HOPPER LIFT GROUP (600691-1)

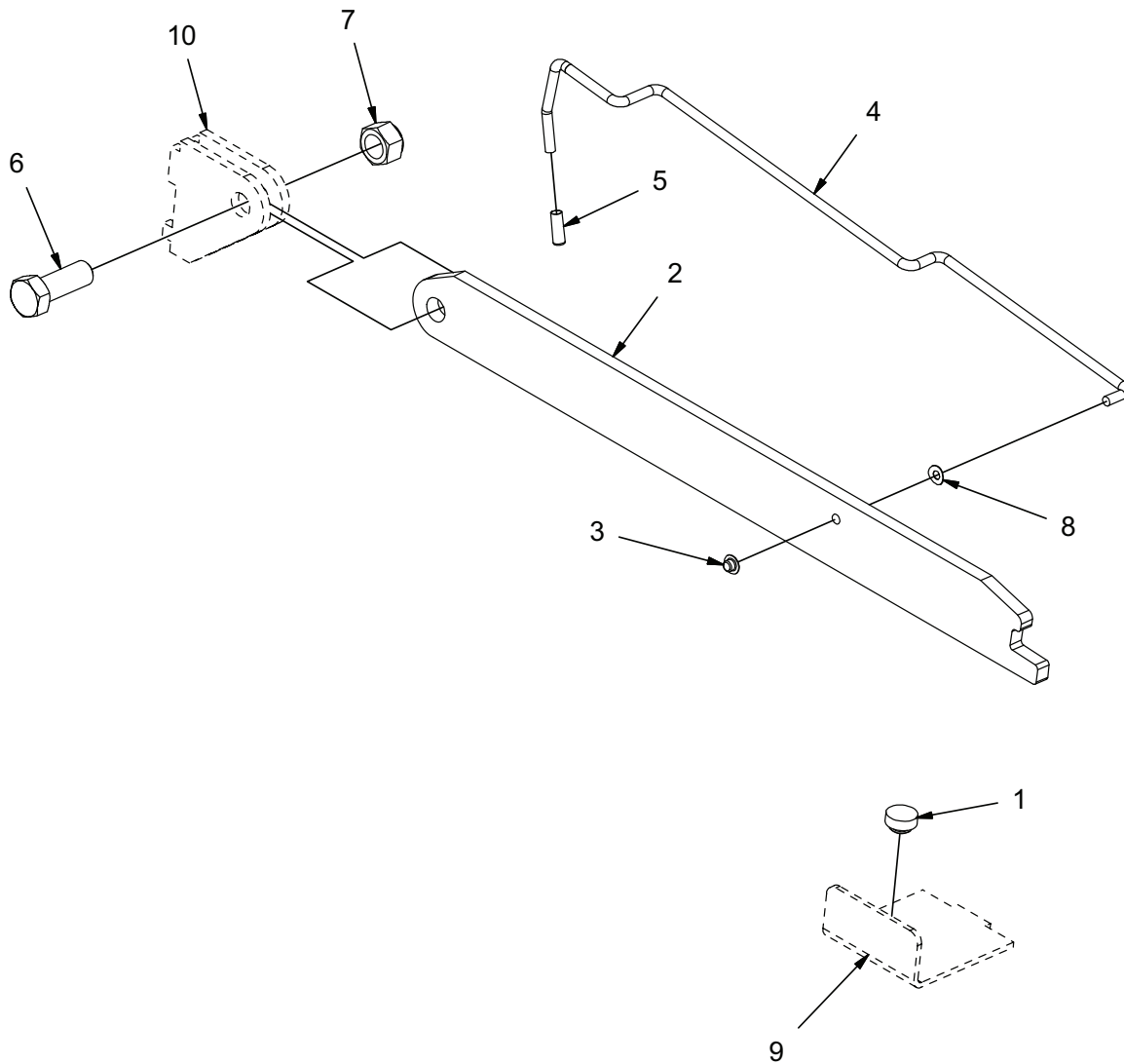


REV D

HOPPER LIFT GROUP (600691-1)

Parts List - 600691-1			
ITEM	PART NO.	QTY	DESCRIPTION
1	600104	1	CYLINDER-HOPPER LIFT
2	600109	2	BEARING, SPHERICAL
3	600270	1	WELDMENT ARM HOPPER LIFT, BLACK
4	600276	2	WELDMENT, PIVOT PIN (BLACK)
5	600331	1	PIN, LOWER CYLINDER, ZP
6	600332	1	PIN, UPPER CYLINDER, ZP
7	REFERENCE	1	FRAME
8	600575	4	RET RING-INT 2.00
9	600576	2	RET RING-EXT 1.25 HD
10	600577	2	RET RING-EXT .984 - 1.00 HD
11	600801	1	BEARING FIBERGLIDE 1.00 ID .75
12	600802	1	WASHER HOPPER PIVOT THIN
13	600803	1	WASHER HOPPER PIVOT THICK
14	600950	6	WASHER-FLAT M12 ZP
15	620034	6	SCR-HH M12-1.75 X 35 ZP CLASS 8.8
16	675507	1	FTG-ORFS 90 ELBOW -4 -4 SAE
17	675547	1	FTG-ORFS ORIFICE .047 #4
18	675556	1	FTG-ORFS TEE BRANCH -4 -4 -4 SAE
19	713041	1	SCR-HH 3/8-16 X .75 ZP GR 5
20	3339955	1	CLEVIS-LIFT ARM 1.0 DIA. PIN 1.00-14 TD
21	11038353	2	SCR-HH M10-1.5 X 20 ZD CLASS 8.8
22	12040069	2	NUT-NYLOC M10 X 1.5 ZD CLASS 6
23	12040077	6	NUT-NYLOC M12 X 1.75 ZD CLASS 8

HOPPER SAFETY ARM GROUP (600686)

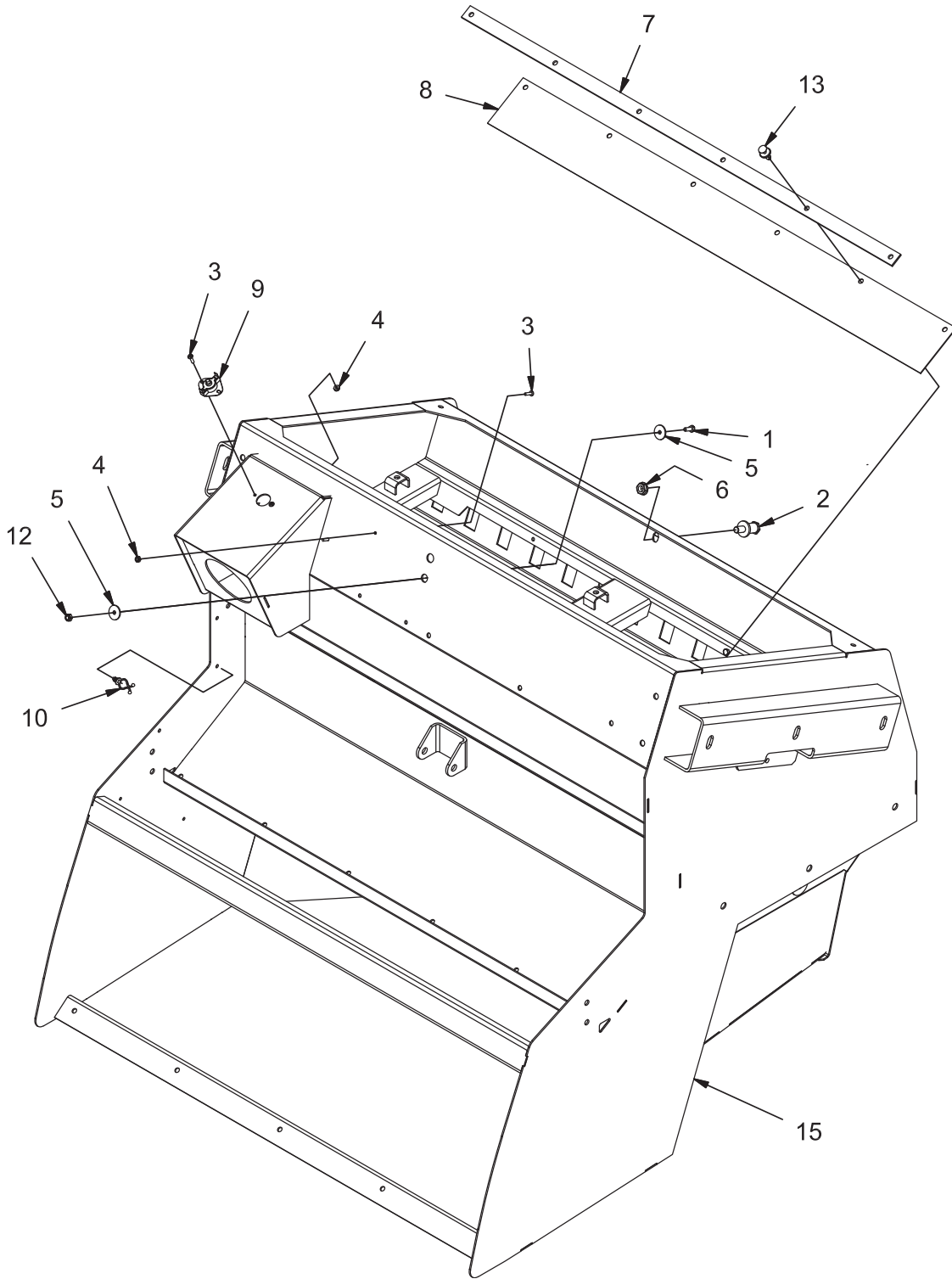


REV *

HOPPER SAFETY ARM GROUP (600686)

Parts List - 600686			
ITEM	PART NO.	QTY	DESCRIPTION
1	600117	1	BUMPER, 1.00 X .339 T
2	600196	1	SAFETY ARM
3	600481	1	AXLE CAP NUT, .313
4	600886	1	WELDMENT, SAFETY ARM LIFT
5	600910	1	CAP
6	600929	1	BOLT, M20-2.50 X 55 HH
7	600935	1	NUT, M20-2.50 ESN
8	600947	1	WASHER, .313 CURVED SPRING
9	REFERENCE	1	FRAME
10	REFERENCE	1	FRAME

HOPPER ASSEMBLY GROUP (600623)

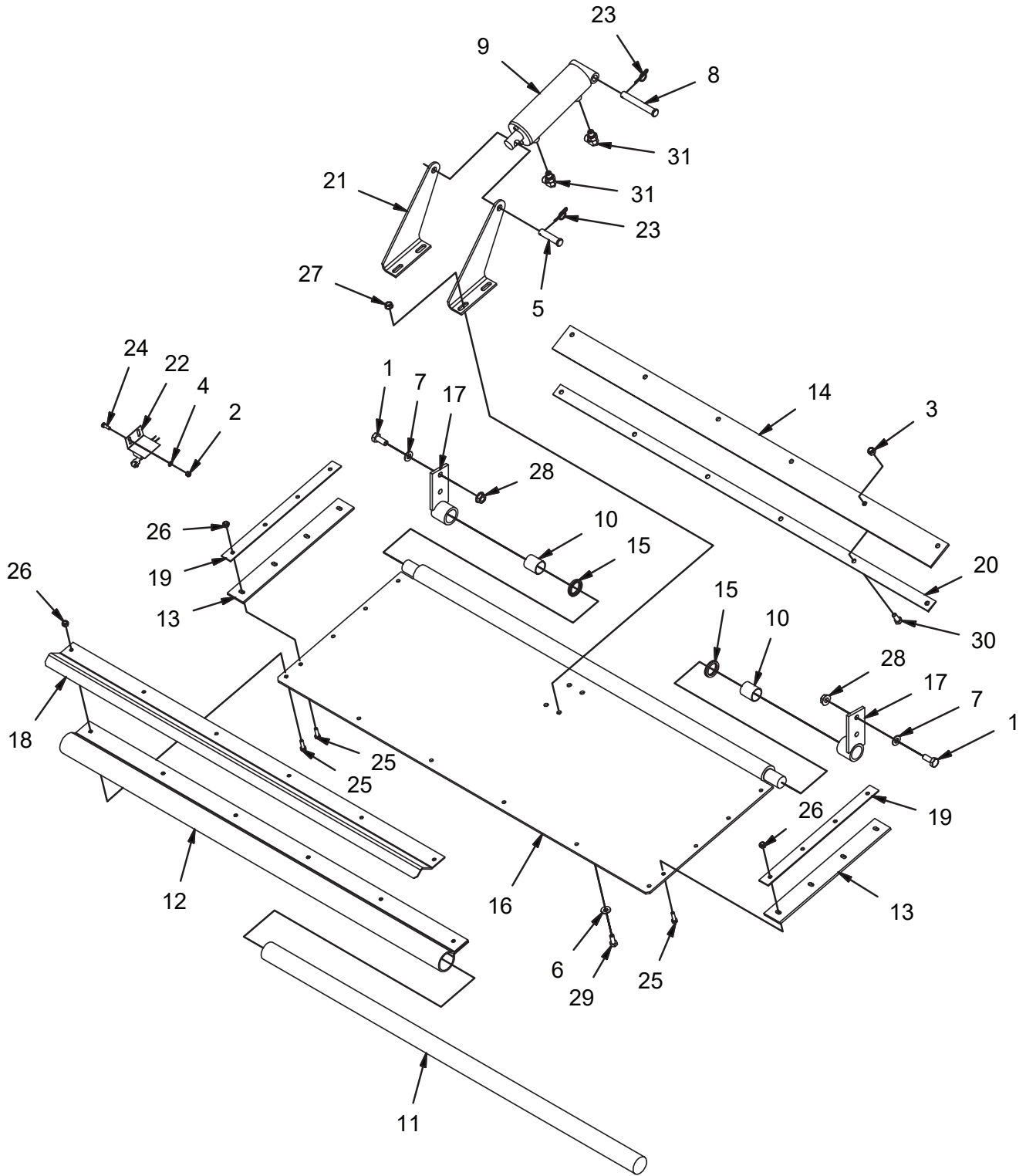


REV D

HOPPER ASSEMBLY GROUP (600623)

Parts List - 600623			
ITEM	PART NO.	QTY	DESCRIPTION
1	11132065	1	BOLT, M6-100 X 16 HH
2	3307248	1	STRIKER-LATCH
3	3400045	4	SCREW, #8-32 X .625 PAN HD ZP
4	711372	4	NUT, FIBER INSERT #8-32
5	711519	2	WASHER, FENDER, 1/4 ZP
6	3400394	1	NUT, 7/16-14 FLNG
7	600355	1	RETAINER, DOOR BAR SEAL
8	600522	1	FLAP, FILTER SEAL
9	600568	1	SWITCH, THERMOSTAT, 130
10	600581	9	CLAMP, WIRE CLIP
13	600933	1	NUT, M6-1.00 ESN SS
14	600965	6	FASTENER, PRESS-IN
15	REFERENCE	1	HOPPER, DUAL FILTER

HOPPER DUMP DOOR GROUP (600622-1)

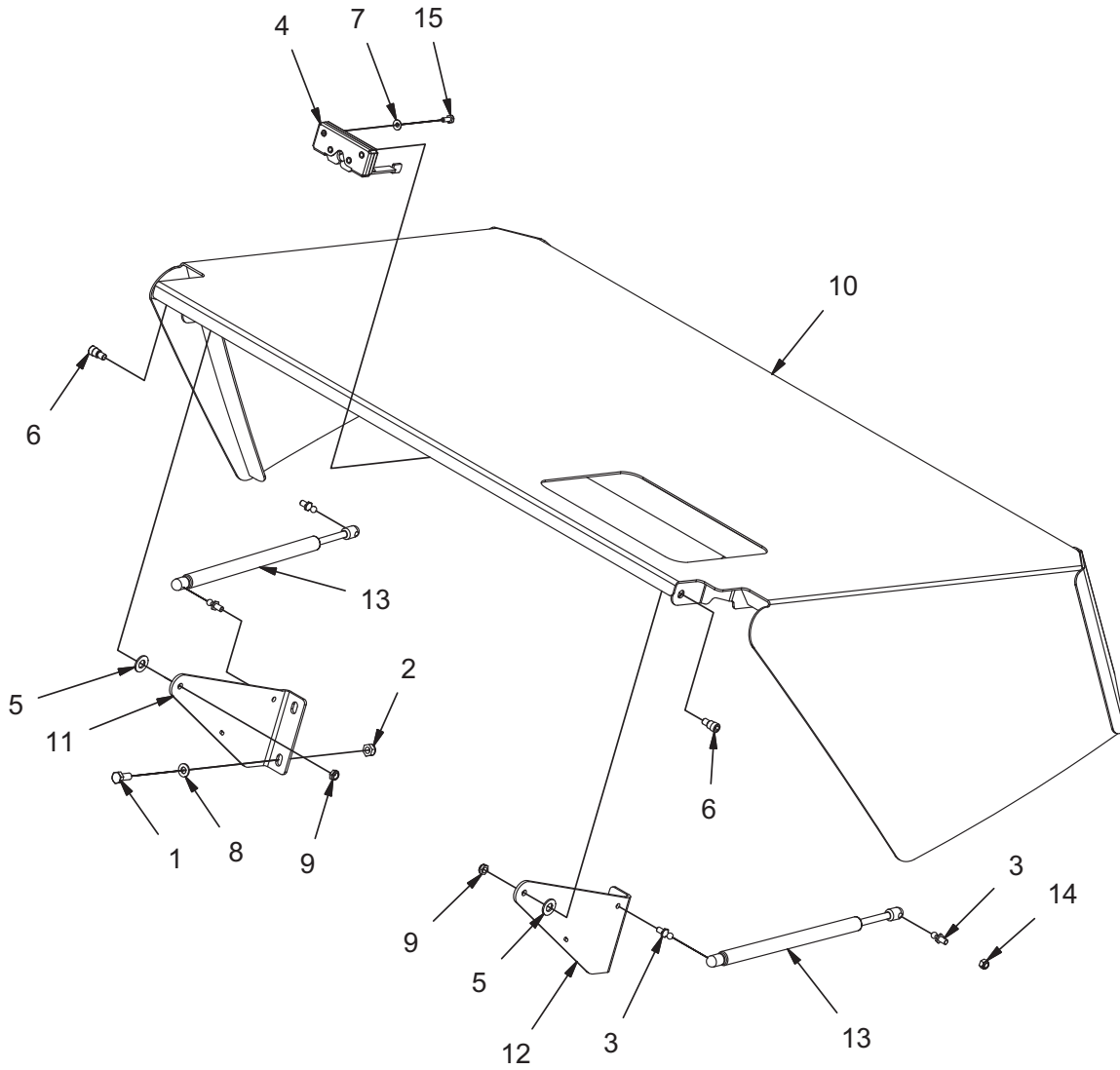


REV *

HOPPER DUMP DOOR GROUP (600622-1)

Parts List - 600622-1			
ITEM	PART NO.	QTY	DESCRIPTION
1	11038346	4	BOLT, M10-1.50 X 25 HH
2	12040036	2	NUT, M5 - 0.8 ESN
3	12040259	6	NUT, M8-1.25 ESN SS
4	12310025	2	WASHER, M5
5	3308225	1	PIN, CLEVIS 1/2 X 2.00
6	3400384	4	WASHER, 5/16 BELLEVILLE
7	3400385	4	WASHER, 3/8. BELLEVILLE
8	3400788	1	PIN, CLEVIS 1/2 X 3.50
9	600106	1	CYLINDER, HOPPER DOOR
10	600174	2	BEARING, FIBERGLIDE 1.00 ID 1.25 T
11	600233	1	BULB, HOPPER DOOR
12	600234	1	SEAL, DUMP DOOR LIP
13	600235	2	SEAL, DUMP DOOR SIDE
14	600236	1	SEAL, DUMP DOOR BAR
15	600262	2	SEAL, LIP
16	600347	1	WELDMENT, DOOR, DUMP
17	600350	2	WELDMENT, PIVOT, HOPPER DOOR
18	600353	1	RETAINER, DOOR LIP SEAL
19	600354	2	RETAINER, DOOR SIDE SEAL
20	600355	1	RETAINER, DOOR BAR SEAL
21	600529	2	ARM, CYLINDER
22	600530-1	1	SWITCH, LIMIT
23	600578	2	RUE-RING, .50
24	600911	2	BOLT, M5-0.8 X 14 HH
25	600913	14	BOLT, M6-100 X 20 HH SS
26	600933	14	NUT, M6-1.00 ESN SS
27	600934	4	NUT, M8-1.25 FLNG
28	600936	4	NUT, M10-1.50 FLNG
29	717024	4	BOLT, M8-1.25 X 20 HH
30	717030	6	BOLT, M8-1.25 X 20 HH SS
31	675507	2	FITTING, 90, -4 ORFS - 4 SAE

HOPPER COVER GROUP (600625)

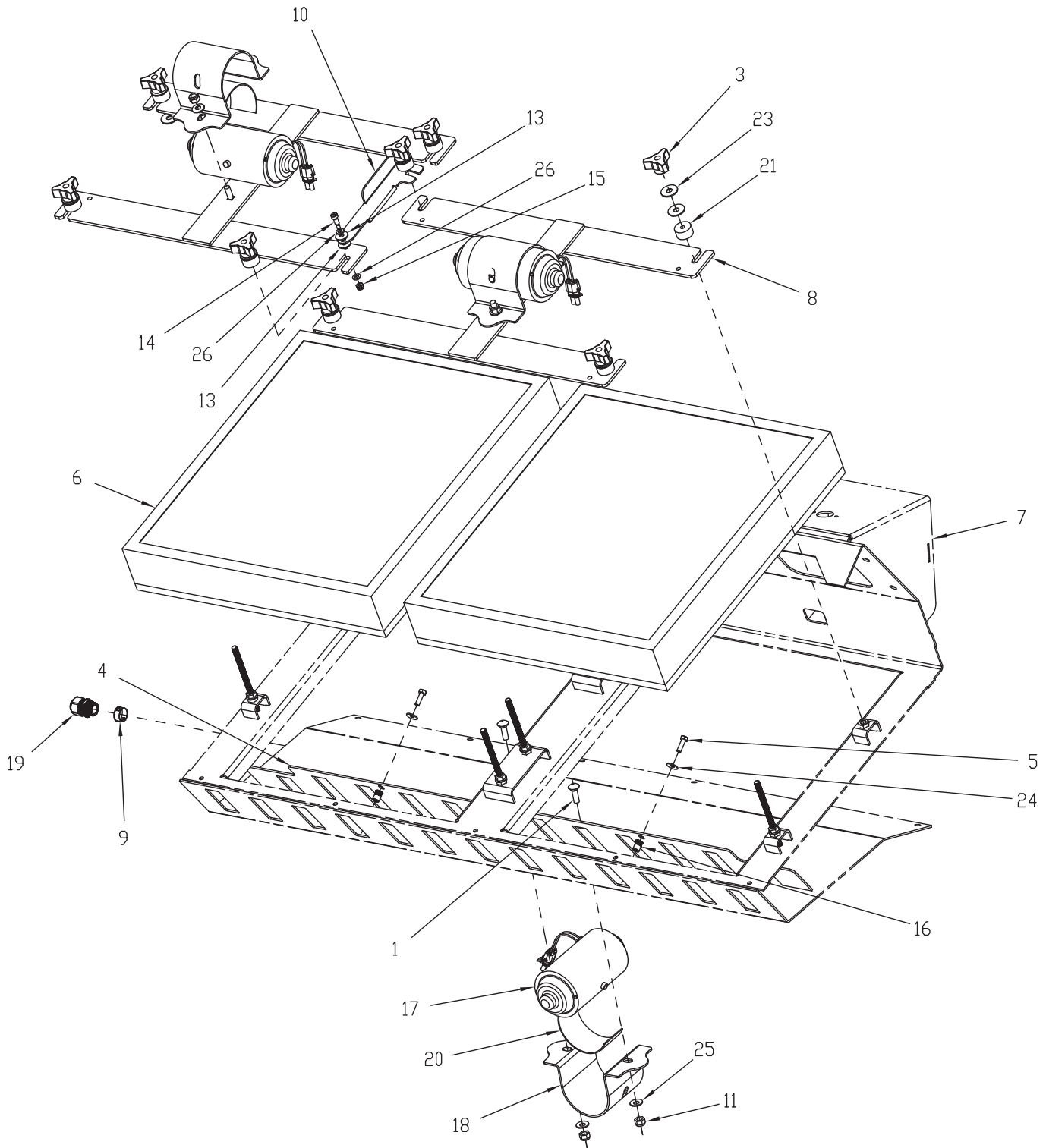


REV B

HOPPER COVER GROUP (600625)

Parts List - 600625			
ITEM	PART NO.	QTY	DESCRIPTION
1	11038346	4	BOLT, M10-1.50 X 25 HH
2	12040069	4	NUT, M10-1.50 ESN
3	3300376	4	STUD, 10MM BALL
4	3307246	1	LATCH, LH
5	3400086	2	WASHER, 1/2, 1.063 X .531 X .094
6	3400170	2	BOLT, SHOULDER .500 X .500
7	3400383	2	WASHER, 1/4 BELLEVILLE
8	3400385	4	WASHER, 3/8. BELLEVILLE
9	711375	2	NUT, FIBER INSERT 3/8-16 JAM
10	600238	1	WELDMENT, HOPPER COVER, ORANGE
	600238BR		WELDMENT, HOPPER COVER, BURGUNDY
11	600249	1	PIVOT, COVER, LH
12	600250	1	PIVOT, COVER, RH
13	600509	1	GAS STRUT, 23.0 EXT X 9.8 STK
14	600509L	1	GAS STRUT, 23.0 EXT X 9.8 STK, LOCKING
15	711374	4	NUT, FIBER INSERT 5/16-18
16	713001	2	SCREW, 1/4-20 X .625 HHC

DUAL FILTER/SHAKER HOPPER GROUP (600702)

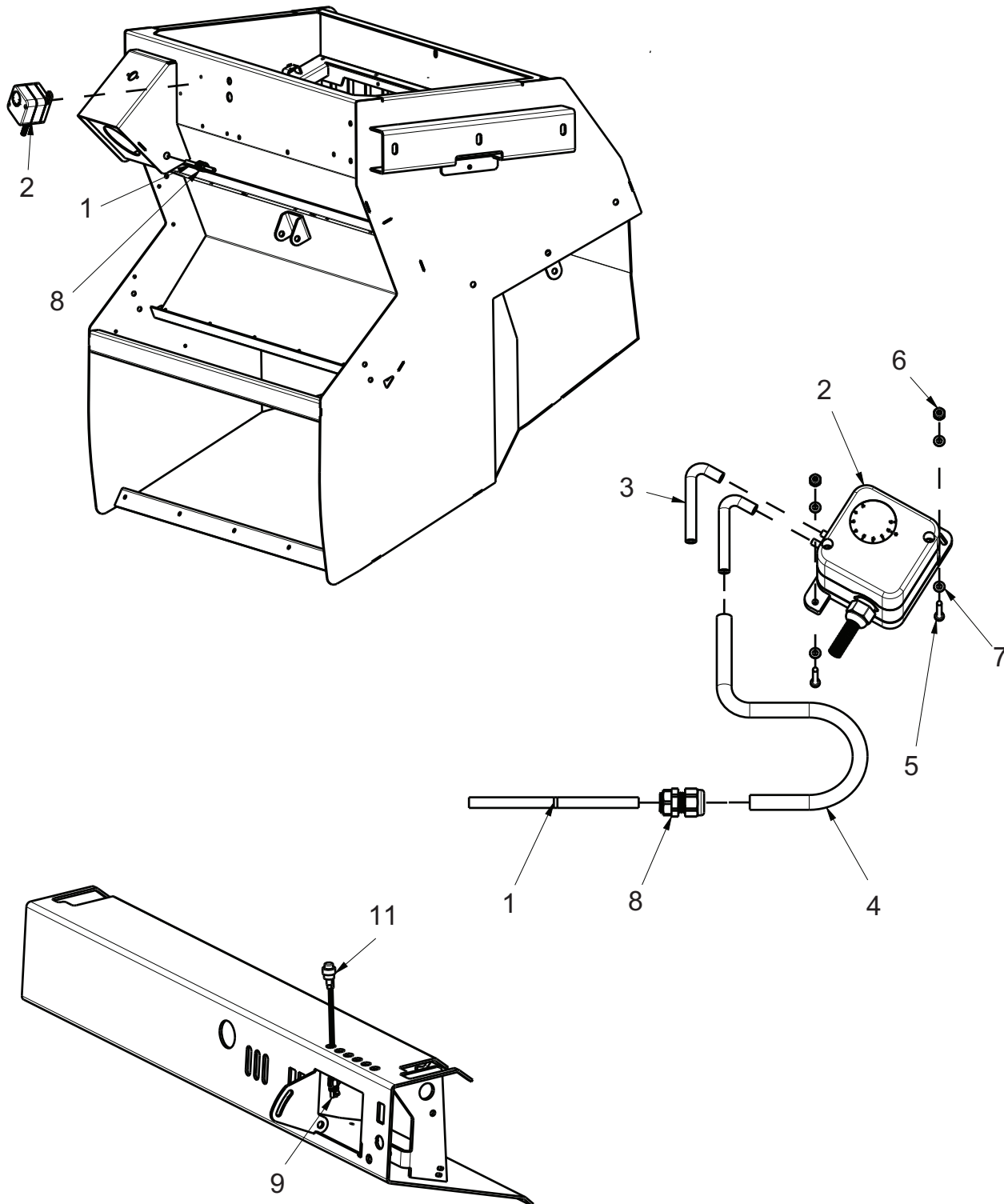


REV H

DUAL FILTER/SHAKER HOPPER GROUP (600702)

Parts List - 600702			
ITEM	PART NO.	QTY	DESCRIPTION
1	70-516-16	6	BLT-CARR 5/16-18 X 1 ZP
3	620292	8	KNOB ASSY, FILTER SHAKER
4	600810	1	PRE-FILTER PLT
5	600913	2	SCR-HH M6-1.00 X 20 SS
6	620211	2	FILTER-ATLAS (18 X 20 X 2.68 NOM), ALUM
7	REFERENCE	1	HOPPER
8	620285	2	WELDMENT, FILTER SHAKER
9	620777	1	PLUG-PLASTIC HOLE, .812
10	621290	1	KEEPER, FILTER SHAKER WELDMENT
11	711374	6	NUT-NYLOC 5/16-18 ZP
13	711550	2	WASHER-FLAT 1/4 X .75 NYLON
14	712151	1	BLT-SHOULDER 1/4 X .50 LG X 10-24 SS
15	712638	1	NUT-NYLOC 10-24 SS
16	730535	2	INSERT-M6-1.00, .7 - 4.2 GRIP
17	748149-1	3	ASSY, SHAKER MOTOR W/CONNECTOR
18	750073	3	BRACKET SHAKER MOTOR
19	830697	1	STRAIN RELIEF - .170 - .450 CABLE
20	3300904	3	ISOLATOR-NEOPRENE, SHAKER MOTOR
21	3307850	8	ISOLATOR-RUBBER, .25IDx1.0Dx.50THK, SW/A
23	3400233	16	WASHER-FENDER 5/16 X 1.00 ZP
24	3400383	2	WASHER-CONICAL SPRING 1/4
25	3400384	6	WASHER-CONICAL SPRING 5/16
26	12310256	2	WSR-FLT 6.4X12X1.6, SS DIN125

CLOGGED FILTER INDICATOR GROUP (600013)

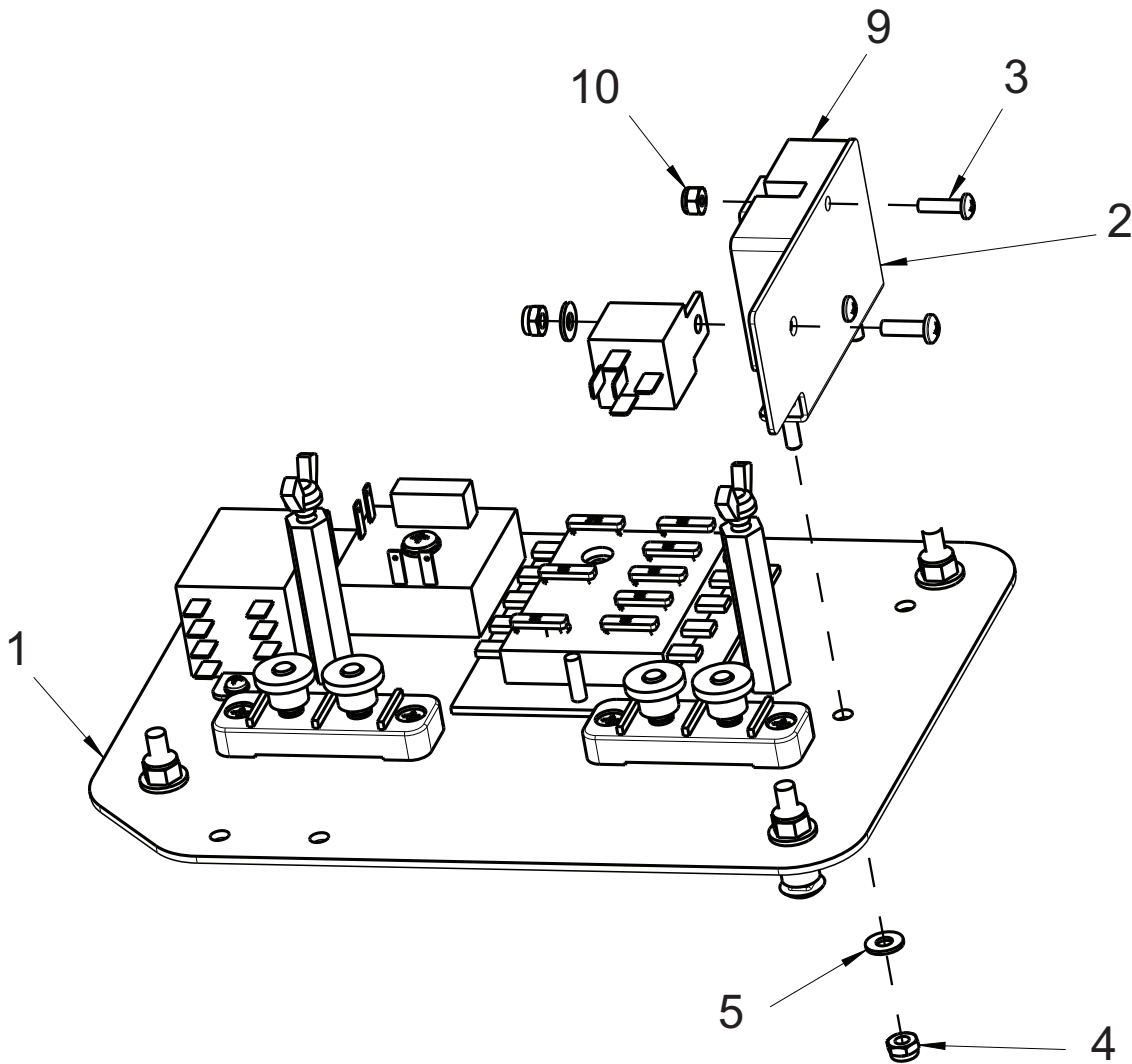


REV E

CLOGGED FILTER INDICATOR GROUP (600013)

PARTS LIST - 600013			
ITEM	PART #	QTY	DESCRIPTION
1	620300	1	TUBE, PORT, DIFF PRESS SWITCH
2	690083-1	1	HARN ASSY, SWITCH, DIFF PRESSURE 2-18"
3	690437	2	HOSE-NYLO REINF 1/8 X 4"
4	690439	1	HOSE-PVC CLEAR 14", 5/16" ID, 7/16"OD
5	710307	2	SCR-PHMS 6-32 X 1.00 ZP
6	711371	2	NUT-NYLOC 6-32 ZP
7	711501	4	WASHER-FLAT #6 X .375 ZP
8	747689	1	STRAIN RELIEF CABLE DIA. .181-.312 #3210
9	748020	1	CONNECTOR-PACKARD 2 PIN MALE
10	748948	1	QC8, WIRE JUNCTION
11	748995	1	ASSY- INDICATOR LIGHT RED

FILTER SHAKER TIMER GROUP (600052)

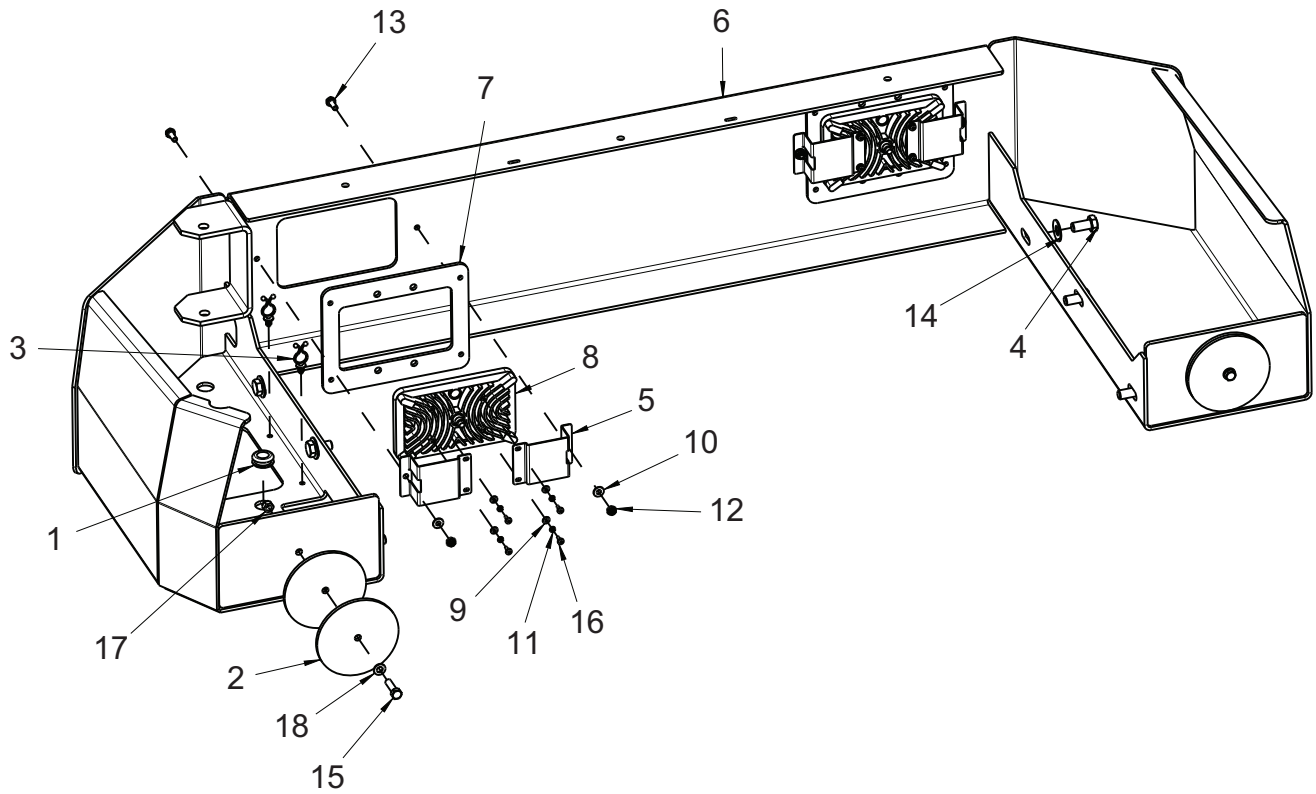


REV A

FILTER SHAKER TIMER GROUP (600052)

Parts List - 600052			
ITEM	PART NO.	QTY	DESCRIPTION
1	REFERENCE	1	ASSY, ELEC COMPUTER BOX - ATLAS
2	620754	1	BRKT ASSY, RELAY SUPPORT
3	710230	2	SCR-PHMS 8-32 X .62 ZP
4	711350	2	NUT-NYLOC 10-32 ZP
5	711503	2	WASHER-FLAT #10 X .50 ZP
6	719153	1	HARNESS ASSY, SHAKER SWITCH
7	719154	1	WIRE ASSY, TIMER & SWITCH PWR
8	719155	1	WIRE ASSY, TIMER GROUND
9	748502-2	1	ASSY, RELAY-TIMER, W/QC
10	711372	2	NUT-NYLOC 8-32 ZP

BUMPER GROUP (600626)

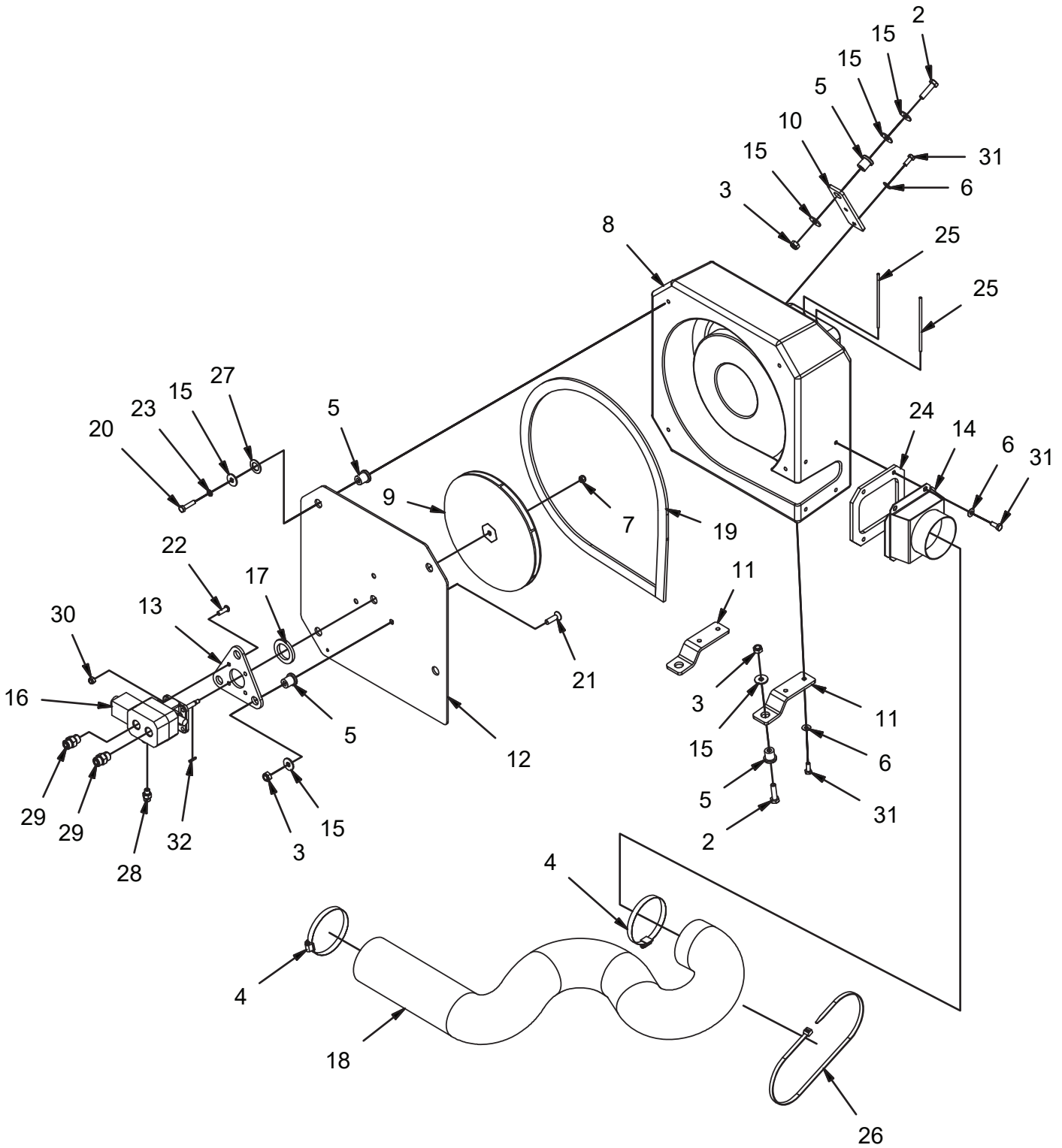


REV G

BUMPER GROUP (600626)

Parts List - 600626			
ITEM	PART NO.	QTY	DESCRIPTION
1	600151	1	GROMMET, .63 ID .88 OD .25 T
2	600226	4	BUMPER
3	600581	2	CLAMP WIRE CLIP, PURSE-LOCK .60
4	600956	6	SCR-HH M12-1.75 X 25 ZP CLASS 8.8
5	620310	4	BRKT, HEADLIGHT RETAINING
6	620321	1	BUMPER, FRONT, ATLAS
7	690953	2	GASKET, HEADLIGHT MOUNT - 4 X 6
8	691001-1	2	HEADLIGHT ASSY, 4X6 LED WITH DRL
9	711502	8	WASHER-FLAT #8 ZP
10	711504	4	WASHER-FLAT 1/4 SS
11	711542	8	WASHER-LOCK #8 SPLIT ZP
12	711688	4	NUT-JAM 1/4-20 NYLOC SS
13	713001	4	SCR-HH 1/4-20 X .62 GR 5 ZP
14	3400387	6	WASHER-CONICAL SPRING 1/2
15	11038254	2	SCR-HH M8-1.25 X 30 ZP CLASS 8.8
16	11175395	8	SCR-MC PAN HD M4 X 0.7 X 10
17	12040051	2	NUT-NYLOC M8 X 1.25 ZP CLASS 8
18	12310041	2	WASHER-FLAT M8.4 X 16 X 1.6 ZP

IMPELLER GROUP (600790-1) BEFORE SERIAL NUMBER 23PB1595

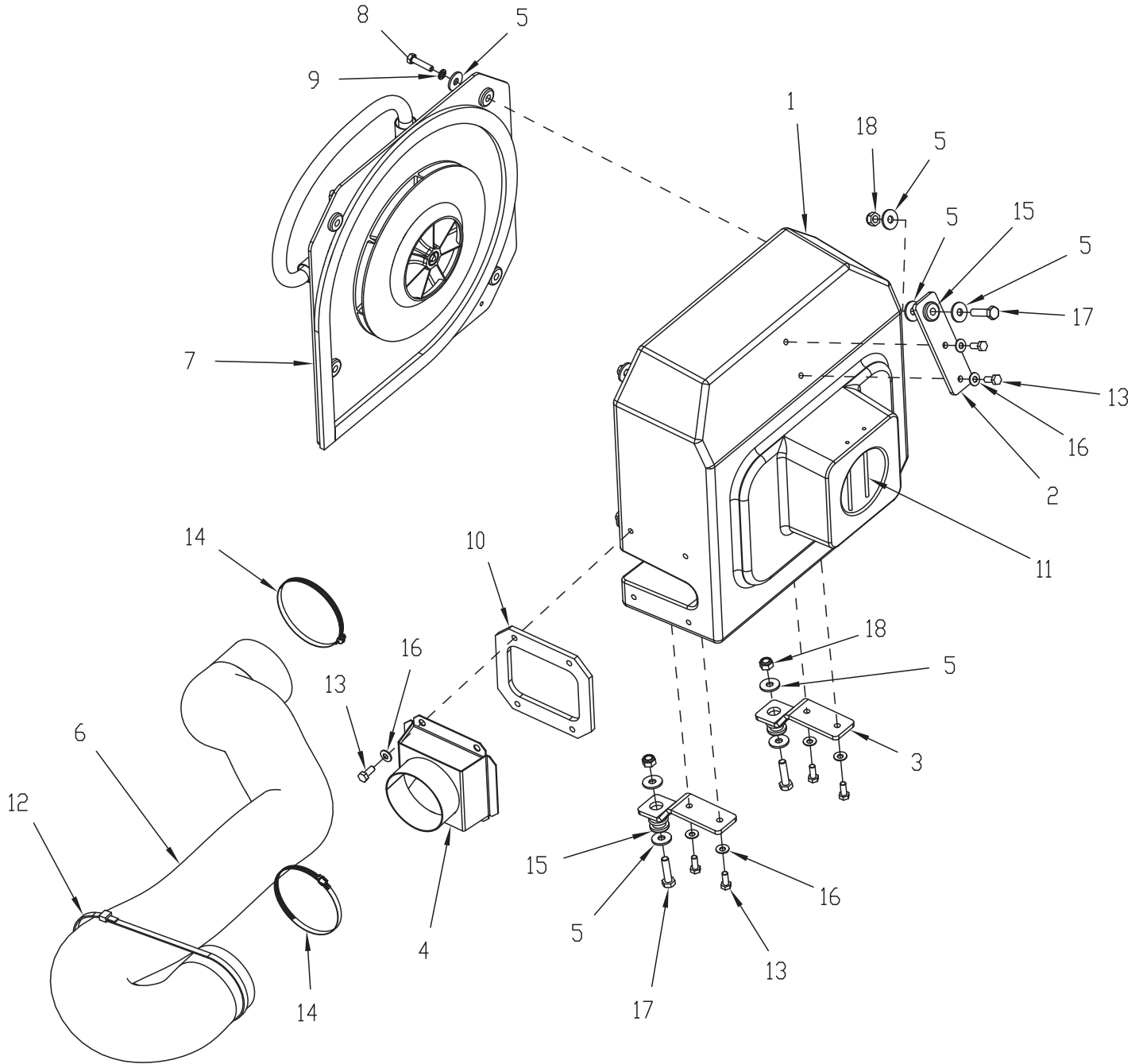


REV A

IMPELLER GROUP (600790-1)

Parts List - 600790-1			
ITEM	PART NO.	QTY	DESCRIPTION
1	000710	-	ADHESIVE 3M #847 (USED ON 600903)
2	11038395	3	BOLT, M10-1.50 X 40 HH
3	12040069	6	NUT, M10-1.50 ESN
4	3300351	2	CLAMP, HOSE, 4.50
5	3300465	10	ISOLATOR, VIB
6	3400384	10	WASHER, 5/16 BELLEVILLE
7	3400420	1	NUT, 5/16-24 ESN
8	600100	1	SHROUD, IMPELLER
9	600101	1	ASSY, IMPELLER
10	600202	1	BRACKET, SHROUD, UPPER
11	600203	2	BRACKET, SHROUD, LOWER
12	600204	1	PLATE, SHROUD
13	600205	1	PLATE, MOTOR MNT
14	600206	1	WELDMENT, DIFFUSER
15	600363	12	WASHER, ISOLATOR
16	600366	1	MOTOR, IMPELLER
17	600469	1	SEAL, DUST
18	600574	1	HOSE, 4.00 IMPELLER
19	600903	1	SEAL, IMPELLER
20	600918	4	BOLT, M8-125 X 35 HH
21	710028	3	SCR-FHMS M10-1.50 X 40 SLOTTED ZP
22	600958	4	BOLT, 5/16-18 X 1.00 BUTTON HD CAP
23	600959	4	LOCK WASHER, M8
24	620028	1	GASKET, OUTLET
25	620031	2	ROD, GUARD
26	620037	1	CABLE TIE, .35 X 34
27	66-431-A	4	WASHER, .77 B 1.25 OD .075 T
28	675508	1	FITTING, STR, 4 ORFS - 4-SAE
29	675524	2	FITTING, STR, -8 ORFS - 8 SAE
30	711374	4	NUT, FIBER INSERT 5/16-18
31	717024	10	BOLT, M8-1.25 X 20 HH
32	PART OF 600366	1	KEY, .125 SQ X .75

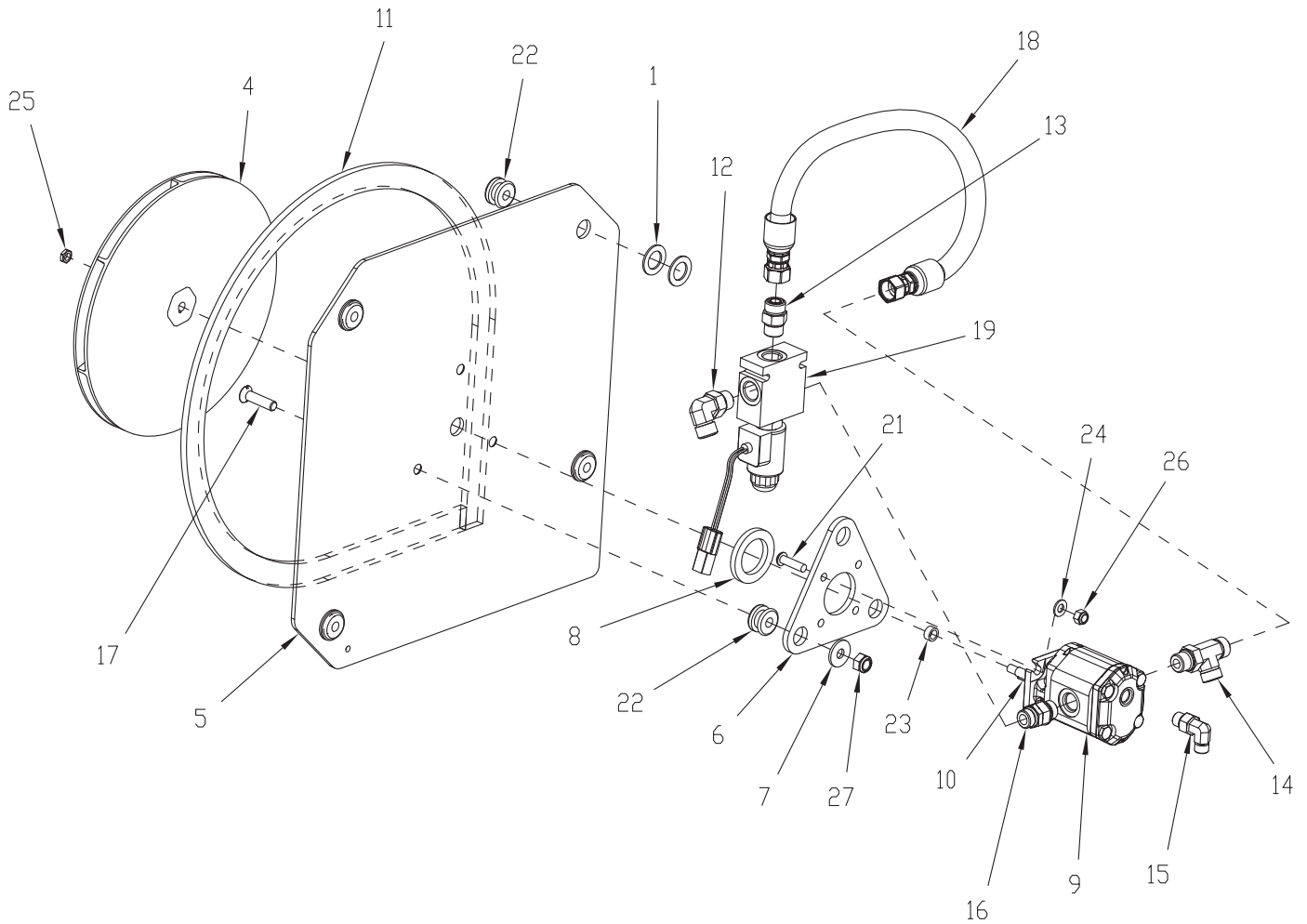
IMPELLER GROUP (600664-1) SERIAL NUMBER 23PB1595 AND AFTER



IMPELLER GROUP (600664-1)

Parts List - 600664-1			
ITEM	PART NO.	QTY	DESCRIPTION
1	600100	1	IMPELLER SHROUD
2	600202	1	BRACKET SHROUD UPPER,BLACK
3	600203	2	BRACKET SHROUD LOWER,BLACK
4	600206	1	WELDMENT DIFFUSER, BLACK
5	600363	11	WASHER-FLAT .39 X 1.12 X .1 ZP
6	600574	1	HOSE 4.00 IMPELLER
7	600664	1	PLATE ASSY, MOTOR W/ IMPELLER
8	600918	4	SCR-HH M8-1.25 X 35 ZP CLASS 8.8
9	600959	4	WASHER-LOCK M8 ZINC SPLIT
10	620028	1	GASKET, OUTLET
11	620031	2	ROD GUARD
12	620037	1	CABLE TIE, .35 X 34"
13	717024	10	SCR-HH M8-1.25 X 20 ZP GRADE 8.8
14	3300351	2	CLAMP - SCREW 3" to 5" DIA 201SS
15	3300465	3	ISOLATOR-RUBBER (.375ID X .81OD)
16	3400384	10	WASHER-CONICAL SPRING 5/16
17	11038395	3	SCR-HH M10-1.5 X 40 ZP CLASS 8.8
18	12040069	3	NUT-NYLOC M10 X 1.5 ZD CLASS 6

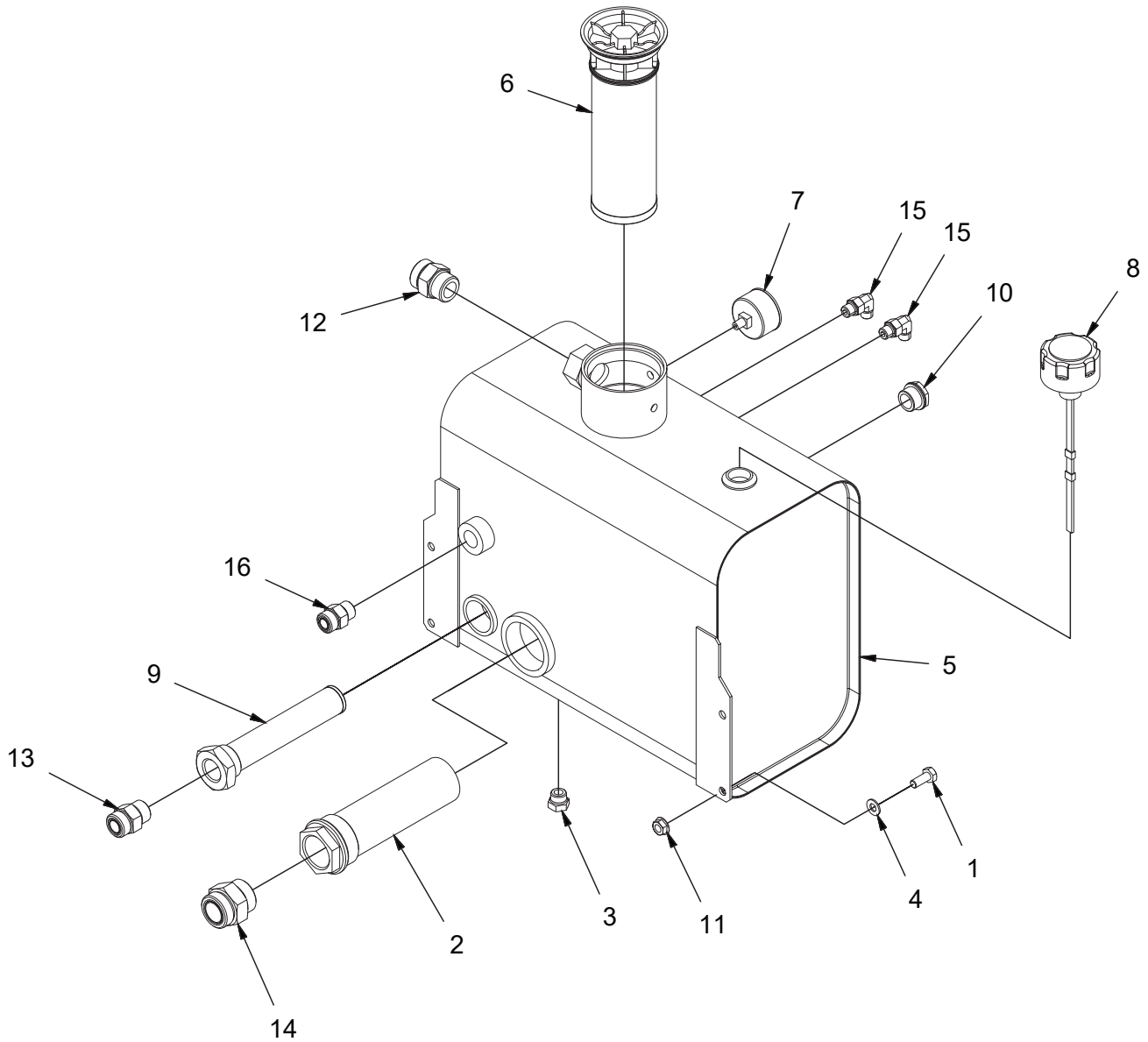
IMPELLER ASSEMBLY (600664)



IMPELLER ASSEMBLY (600664)

Parts List - 600664			
ITEM	PART NO.	QTY	DESCRIPTION
1	66-431-A	8	WASHER-FLAT .75 X 1.250 X .074 ZINC
4	600101-1	1	IMPELLER, W/ C'BORE
5	600204	1	PLATE SHROUD
6	600205	1	PLATE MOTOR MNT
7	600363	3	WASHER-FLAT .39 X 1.12 X .1 ZP
8	600469	1	SEAL DUST
9	600666	1	MOTOR-HYD, CW ROT, IMPELLER
10	600668	1	KEY, 3.18 X 3.18 X 15 MM (NOT SHOWN)
11	600903	1	SEAL IMPELLER
12	675523	1	FTG-ORFS 90 ELBOW -8 -8 SAE
13	675524	1	FTG-ORFS STR THD -8 -8 SAE
14	675525	1	FTG-ORFS TEE -8 -8 -8 SAE
15	675546	1	FTG-ORFS 90 ELBOW -4 -6 SAE
16	675746	1	FTG-UNION, ORB -8 -8
17	710028	3	SCR-FHMS M10-1.50 X 40 SLOTTED ZP
18	731058	1	HOSE,8 STR-8 STR MED (AUX 1 TO IMP SOL P
19	731292-1	1	ASSEMBLY, SOLENOID VALVE
20	749119	1	HARN ASSY, IMPELLER SOLENOID
21	770536	4	SCR-BHSCS M8-1.25 X 30 SS
22	3300465	7	ISOLATOR-RUBBER (.375ID X .81OD)
23	3307003-2	1	SPACER, IMPELLER, MARZOCCHI
24	711506	4	WASHER-FLAT 5/16 X .688 ZP
25	12012019	1	NUT-JAM M8 X 1.25 ZP
26	12040051	4	NUT-NYLOC M8 X 1.25 ZP CLASS 8
27	12040069	3	NUT-NYLOC M10 X 1.5 ZD CLASS 6

HYDRAULIC RESERVOIR GROUP (600683-1)

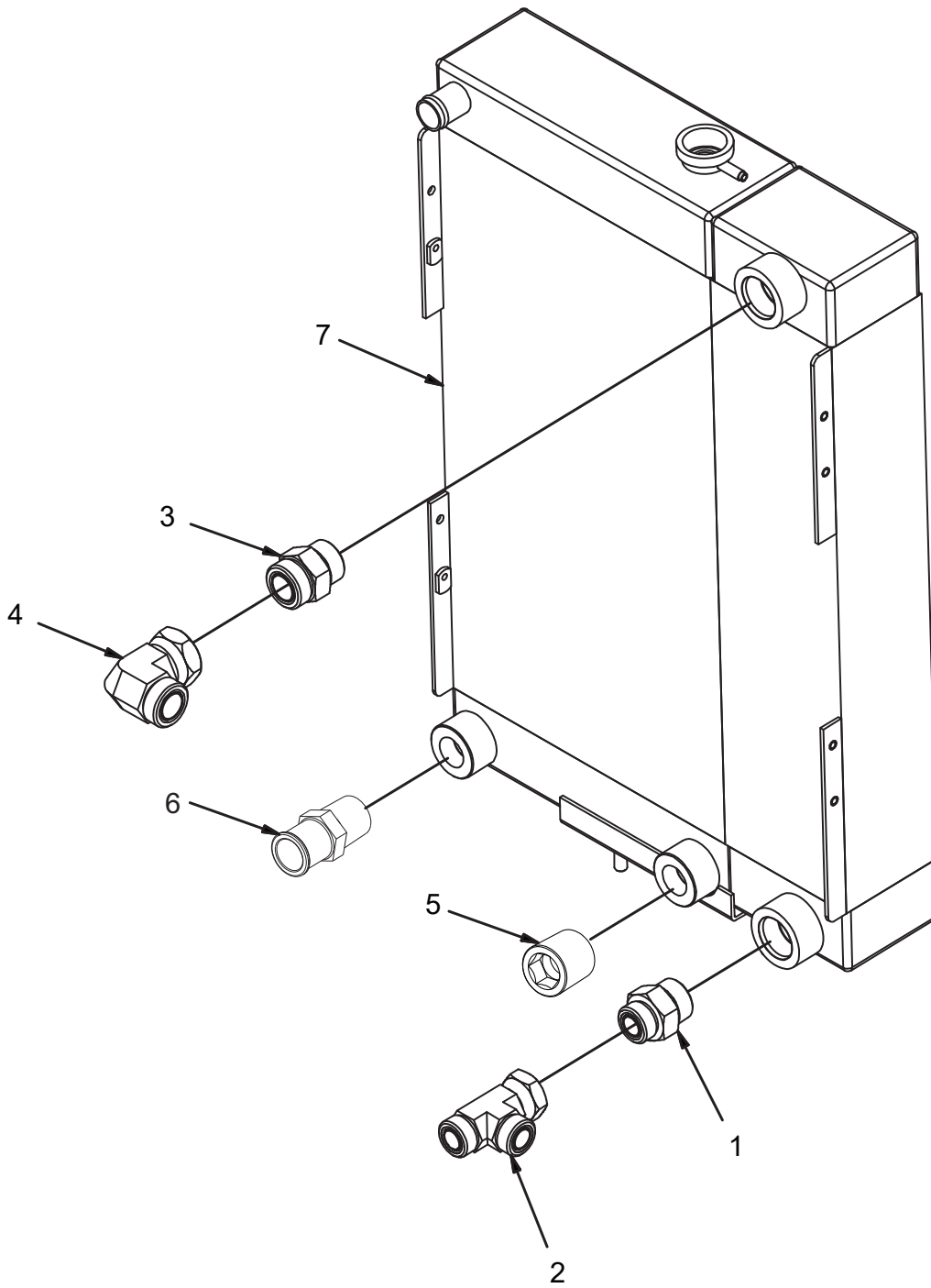


REV *

HYDRAULIC RESERVOIR GROUP (600683-1)

Parts List - 600683-1			
ITEM	PART NO.	QTY	DESCRIPTION
1	11038346	4	BOLT, M10-1.50 X 25 HH
2	3343836	1	STRAINER, HYDRAULIC, 20
3	3400164	1	FITTING, PLUG, 8 O-RING
4	3400385	4	WASHER, 3/8. BELLEVILLE
5	600180	1	TANK, HYD RESERVOIR
6	600182	1	FILTER ELEMENT, 10 MIC
7	600183	1	GAUGE, 0-60 PSI
8	600184	1	FILLER-BREATHER, 10 MIC
9	600185	1	STRAINER, 12
10	600531	1	SIGHT GAUGE
11	600936	4	NUT, M10-1.50 FLNG
12	675505	1	FTG - STR, 16 ORFS - 16 SAE
13	675534	1	FITTING, STR, 12 ORFS - 12 SAE
14	675539	1	FITTING, STR, 20 ORFS - 20 SAE
15	675546	2	FITTING, 90, 4 ORFS - 6 SAE
16	675608	1	FTG - STR CONNECTOR -10 ORFS TO -10 SAE

OIL COOLER GROUP (600609-1)

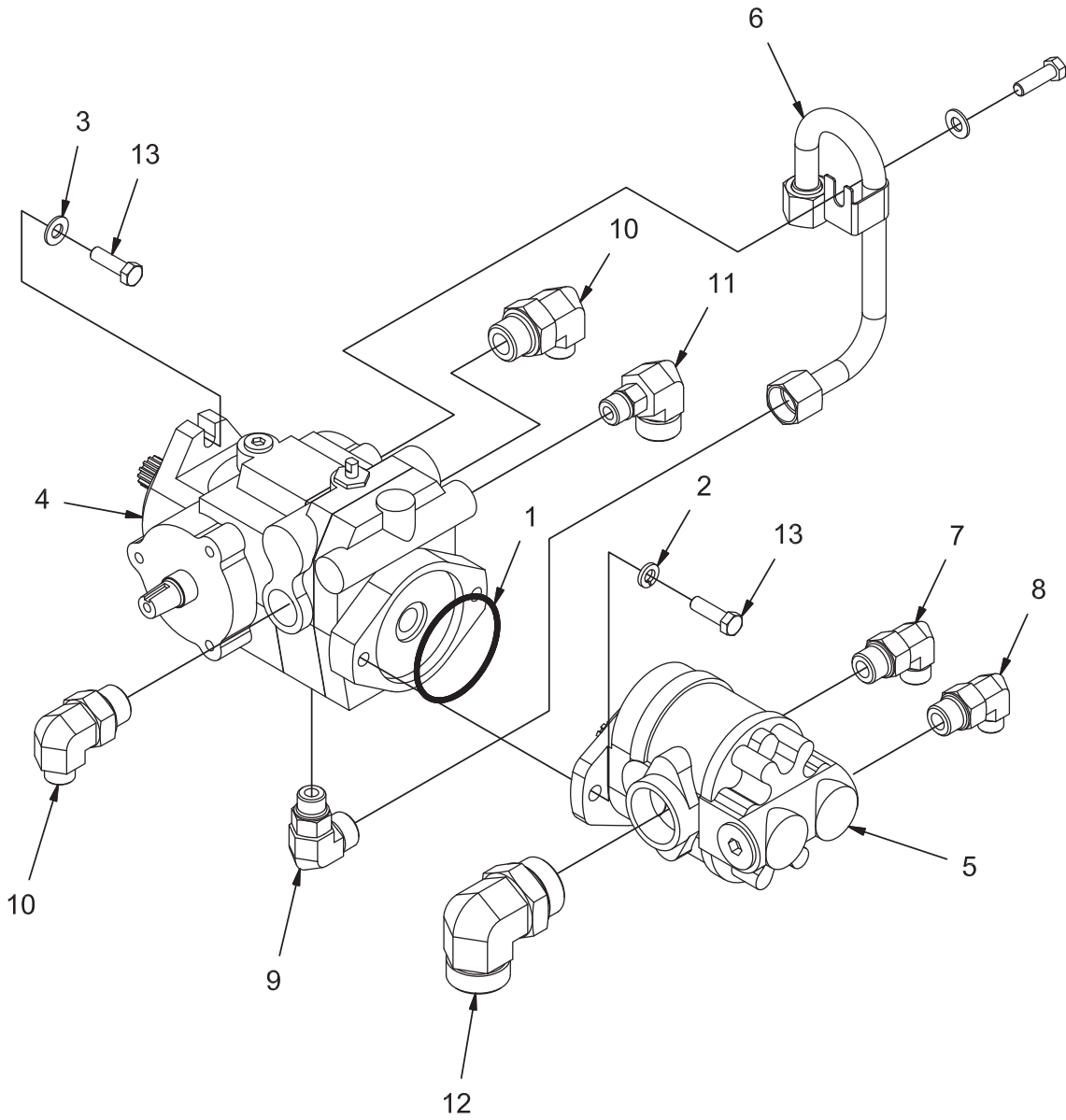


REV A

OIL COOLER GROUP (600609-1)

Parts List - 600609-1			
ITEM	PART NO.	QTY	DESCRIPTION
1	675503	1	FTG - STR THD CONNECTOR -12 ORFS TO -16 SAE
2	675620	1	FTG - TEE -12 ORFS TO -12 ORFS TO -12 ORFS
3	675505	1	FTG - STR, 16 ORFS - 16 SAE
4	675610	1	FTG - ELBOW -16 ORFC TO -16 ORFS
5	3333488	1	FTG-PLUG, RADIATOR (HOSE PORT 3336103)
6	3333489	1	FTG-RAD (HOSE PORT 3336103)
7	REFERENCE	1	RADIATOR, OIL COOLER

HYDRAULIC PUMP GROUP (600606-1)

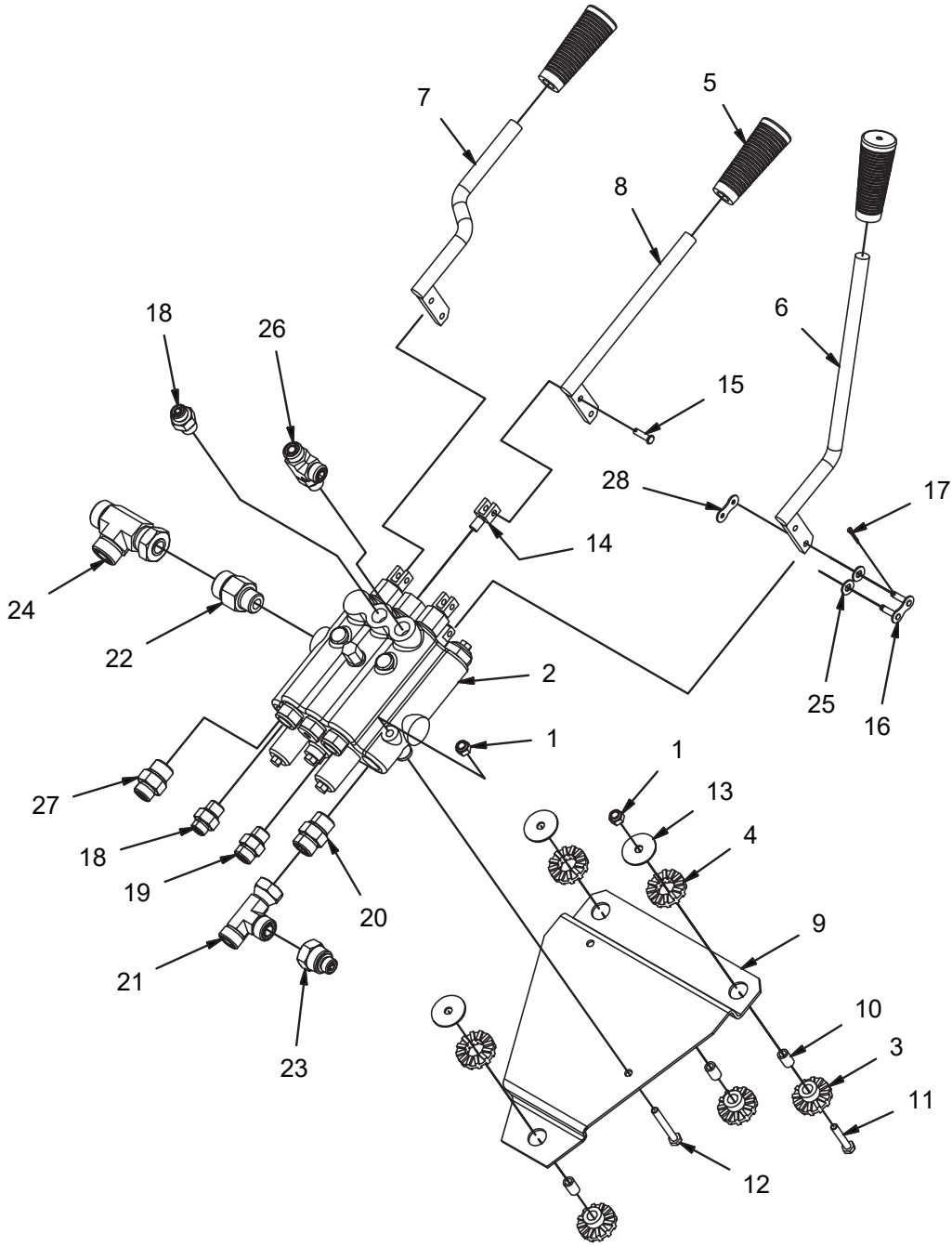


REV A

HYDRAULIC PUMP GROUP (600606-1)

Parts List - 600606-1			
ITEM	PART NO.	QTY	DESCRIPTION
1	3303711	1	O-RING
2	711546	2	LOCK WASHER, 3/8 HS MED
3	3400385	2	WASHER, 3/8. BELLEVILLE
4	600215	1	PUMP, PROPULSION
5	600216	1	PUMP, AUX
6	600519-1	1	TUBE, PUMP DRAIN, ORFS
7	675528	1	FITTING, 90, -8 ORFS - 10 SAE
8	675532	1	FITTING, 90, 6 ORFS - 10 SAE
9	675533	1	FITTING, 90, 10 ORFS - 8 SAE
10	675537	2	FITTING, 90, 8 ORFS - 12 SAE
11	675543	1	FITTING, 90, 12 ORFS - 8 SAE
12	675553	1	FTG-ORFS 90 ELBOW -20 -16 SAE
13	713043	4	SCREW, 3/8-16 X 1.25 HH

HYDRAULIC VALVE GROUP (600685-1)

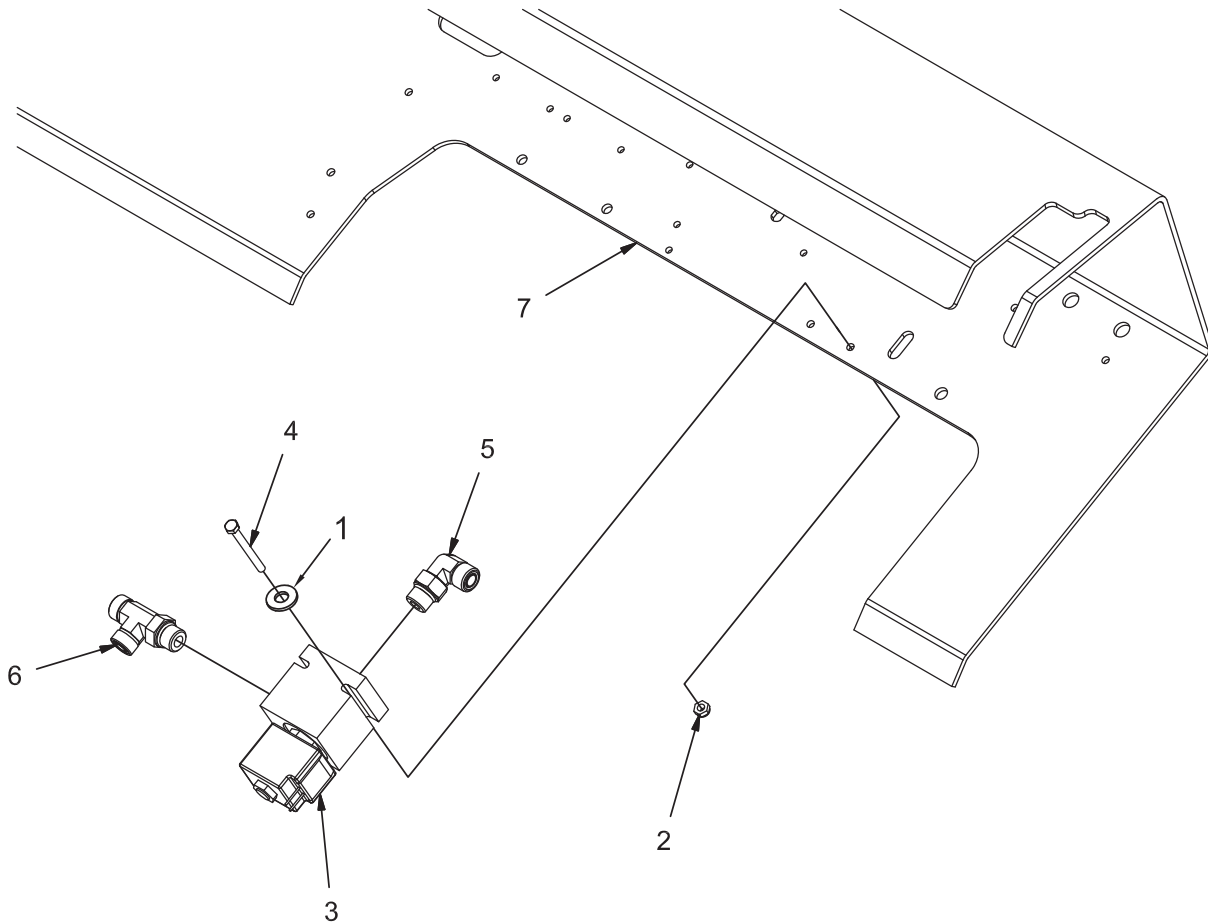


REV *

HYDRAULIC VALVE GROUP (600685-1)

Parts List - 600685-1			
ITEM	PART NO.	QTY	DESCRIPTION
1	12040044	5	NUT, M6-1.00 ESN
2	600214	1	HYDRAULIC VALVE. 3-SPOOL
3	600218	3	ISOLATOR, MALE
4	600219	3	ISOLATOR - FEMALE
5	600263	3	HANDLE GRIP, .50
6	600532	1	LEVER, SWEEP CONT
7	600535	1	LEVER, HOPPER DOOR
8	600537	1	LEVER, HOPPER
9	600539	1	PLATE, VALVE MNT
10	600541	3	SPACER, .245 B .375 OD .625 T
11	600952	3	BOLT, M6-1.00 X 35 HH
12	600953	2	BOLT, M6-1.00 X 50 HH
13	620045	3	WASHER, .25 ID X 1.25 OD X .063 T
14	620140	3	CLEVIS, STEEL
15	620141	3	CLEVIS PIN, 3/16 X 3/4
16	620142	3	CHAIN LINK W/SPRING CLIP
17	620143	3	COTTERPIN, 5/64 X 1/2
18	675511	2	FITTING, STR, 4 ORFS - 6 O-RING
19	675515	1	FITTING, STR, 6 ORFS - 6 SAE
20	675524	1	FITTING, STR, -8 ORFS - 8 SAE
21	675526	1	FTG - RUN TEE -8 ORFS TO -8 ORFS TO -8 SAE
22	675564	1	FTG - ADAPTER 10 ORFS TO 8 SAE
23	675573	1	FTG - REDUCER -8 ORFS TO -4 ORFS
24	675609	1	FTG - RUN TEE -10 ORFS TO -10 ORFS TO -10 SAE
25	620157	6	SPACER, .375 OD .219 ID .156 T, NYLON
26	675516	1	FITTING, RUN TEE, 6 ORFS - 6 SAE
27	675521	1	FITTING, STR, 6 ORFS - 8 O-RING
28	PART OF 620142	3	CHAIN LINK PLT

MAIN BROOM INTERLOCK GROUP (600644-1)

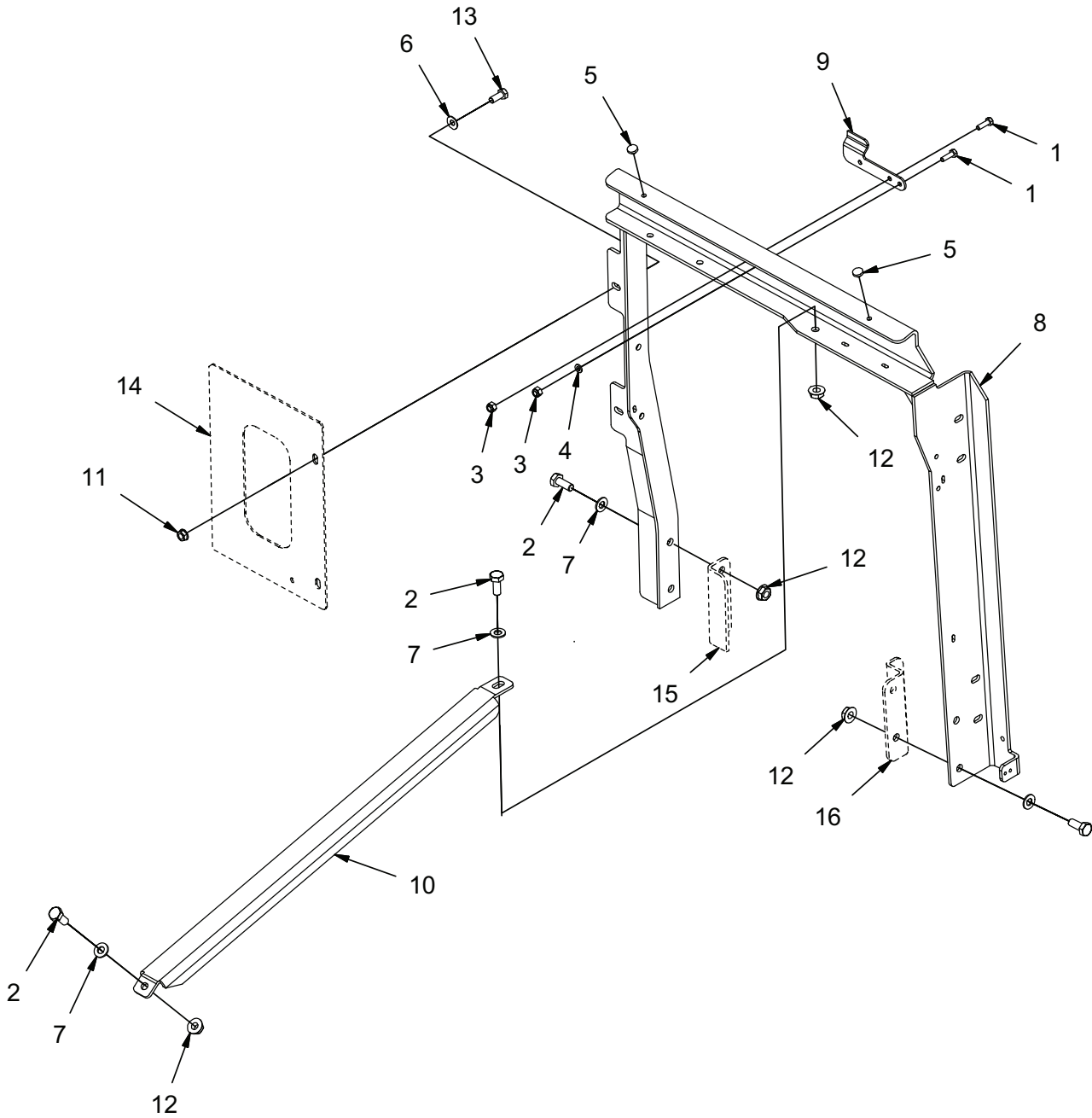


REV A

MAIN BROOM INTERLOCK GROUP (600644-1)

Parts List - 600644-1			
ITEM	PART NO.	QTY	DESCRIPTION
1	711505	2	WASHER-FLAT 1/4 ZP
2	600933	2	NUT, M6-1.00 ESN SS
3	620134-1	1	VALVE, SOLENOID, 2-POS 2-WAY, N.C.
4	620135	2	BOLT, M6-100 X 65 HH ZP
5	675523	1	FITTING, 90, -8 ORFS - 8 SAE
6	675525	1	FITTING, RUN TEE, 8 ORFS - 8 ORFS - 8 SAE
7	REFERENCE	1	FRAME

COVER FRAME GROUP (600780)

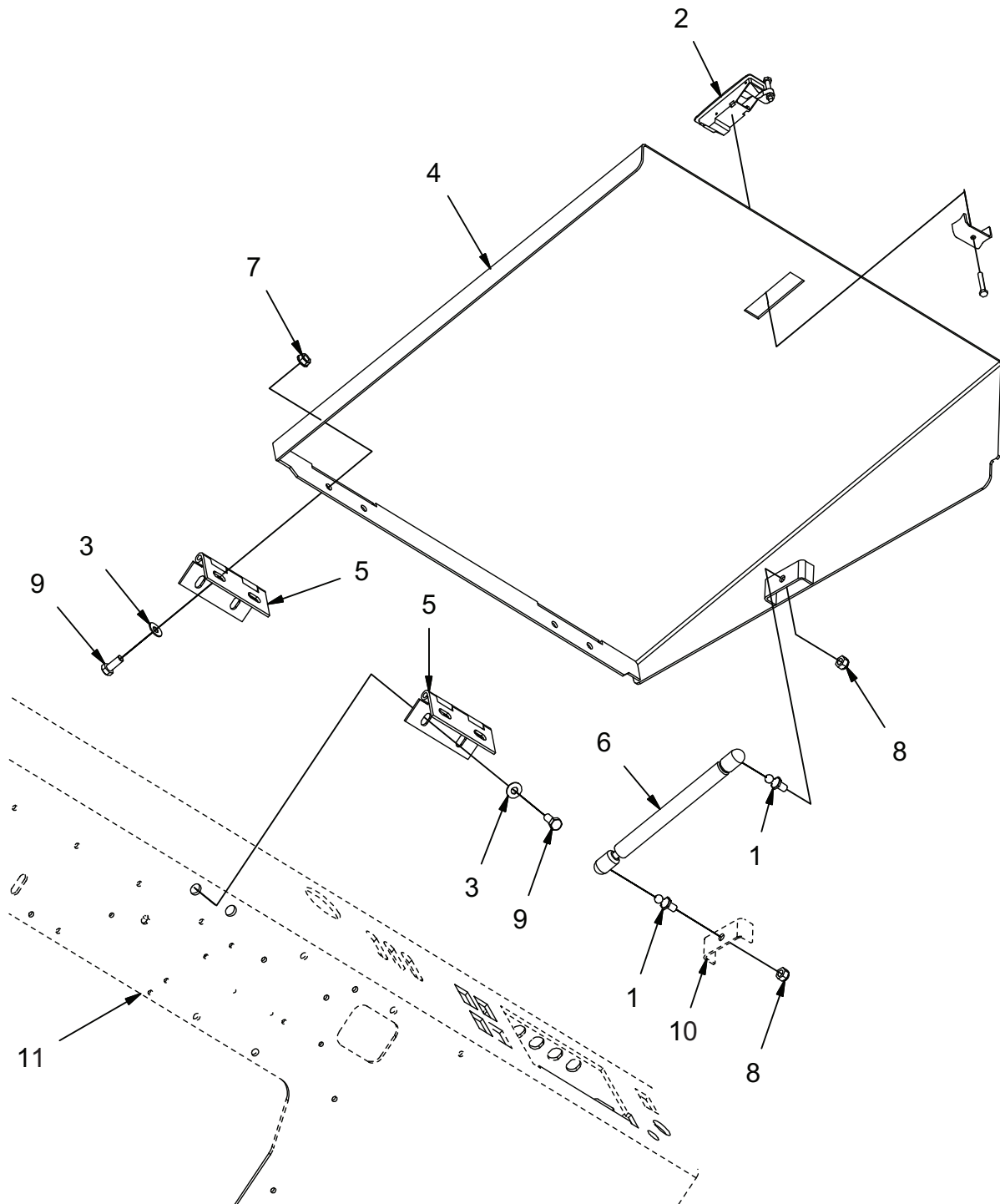


REV *

COVER FRAME GROUP (600780)

Parts List - 600780			
ITEM	PART NO.	QTY	DESCRIPTION
1	11038098	3	BOLT, M6-100 X 20 HH
2	11038346	6	BOLT, M10-1.50 X 25 HH
3	12040044	3	NUT, M6-1.00 ESN
4	12310033	2	WASHER, M6
5	3300526	2	BUMPER, .25 ID .125 T
6	3400384	2	WASHER, 5/16 BELLEVILLE
7	3400385	6	WASHER, 3/8. BELLEVILLE
8	600356	1	WELDMENT, COVER FRAME
9	600362	1	HINGE LOCK
10	600367	1	CHANNEL, SUPPORT
11	600934	2	NUT, M8-1.25 FLNG
12	600936	6	NUT, M10-1.50 FLNG
13	717024	2	BOLT, M8-1.25 X 20 HH
14	REFERENCE	1	CONSOLE
15	REFERENCE	1	FRAME
16	REFERENCE	1	FRAME

TOP COVER GROUP (600760)

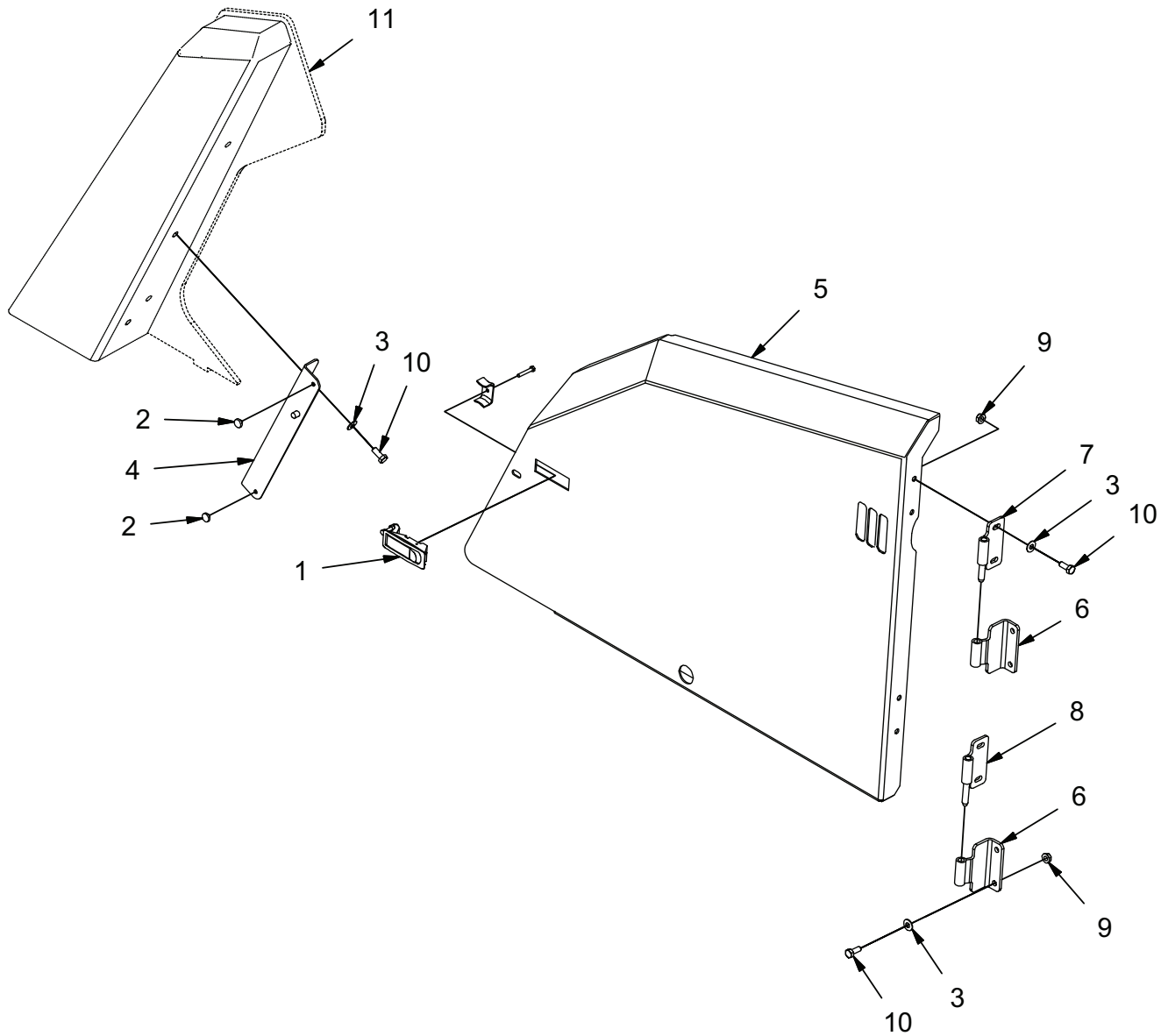


REV A

TOP COVER GROUP (600760)

Parts List - 600760			
ITEM	PART NO.	QTY	DESCRIPTION
1	3300376	2	STUD, 10MM BALL
2	3300380	1	LATCH ASSY
3	3400384	8	WASHER, 5/16 BELLEVILLE
4	600165	1	WELDMENT, TOP COVER, ORANGE
	600165BR		WELDMENT, TOP COVER, BURGUNDY
5	600369	2	HINGE, 4"
6	600508L	1	GAS STRUT, LOCKING
7	600934	4	NUT, M8-1.25 FLNG
8	711374	2	NUT, FIBER INSERT 5/16-18
9	717024	8	BOLT, M8-1.25 X 20 HH
10	REFERENCE	1	CONSOLE
11	REFERENCE	1	FRAME

SIDE DOOR GROUP (600750)

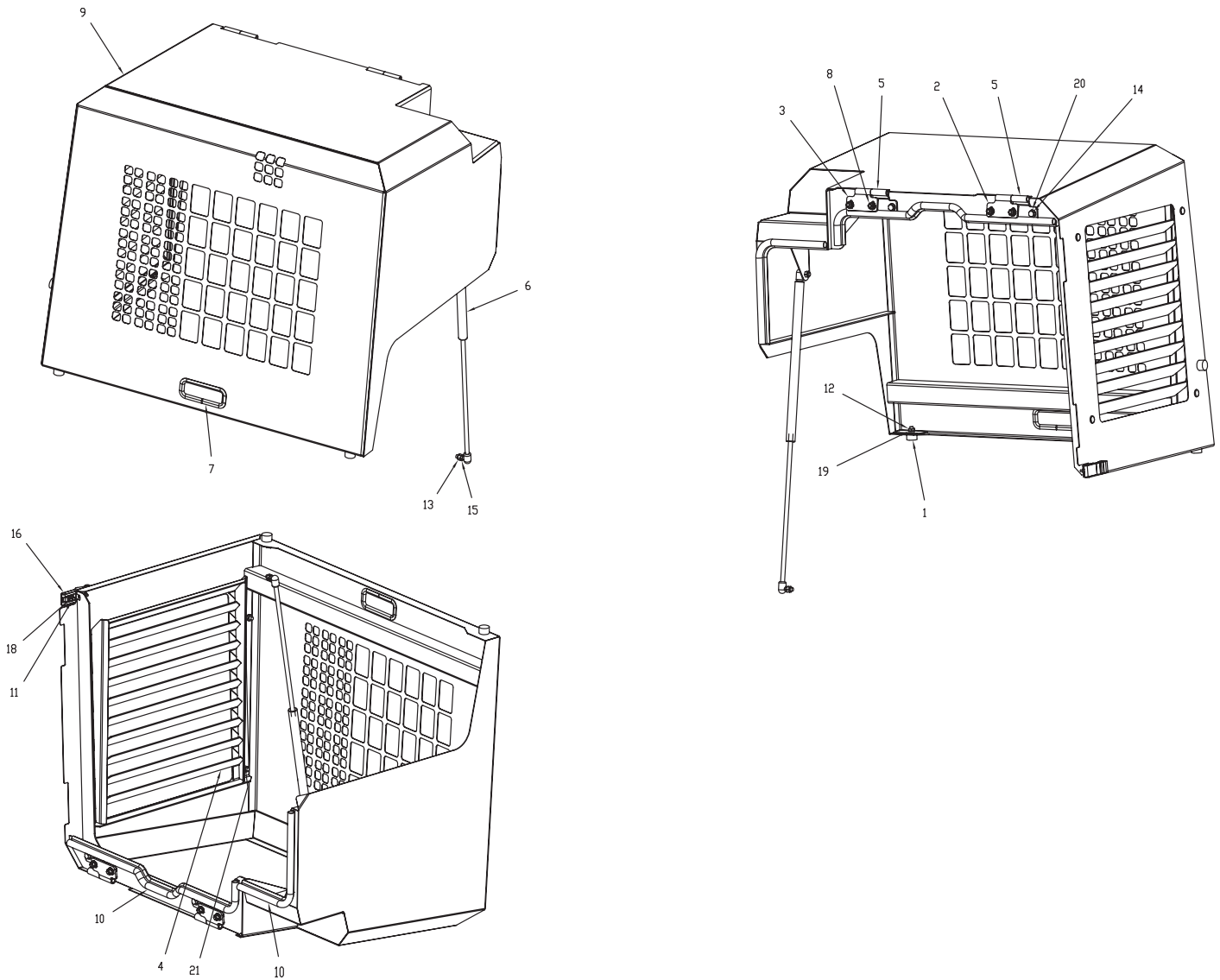


REV *

SIDE DOOR GROUP (600750)

Parts List - 600750			
ITEM	PART NO.	QTY	DESCRIPTION
1	3300380	1	LATCH ASSY
2	3300526	2	BUMPER, .25 ID .125 T
3	3400384	10	WASHER, 5/16 BELLEVILLE
4	600170	1	WELDMENT, DOOR STRIKER
5	600364	1	SIDE DOOR, ORANGE
	600364BR		SIDE DOOR, BURGUNDY
6	600377	2	WELDMENT, HINGE, FEM
7	600380	1	WELDMENT, HINGE, MALE
8	600383	1	WELDMENT, HINGE, MALE, LG
9	600934	8	NUT, M8-1.25 FLNG
10	717024	10	BOLT, M8-1.25 X 20 HH
11	REFERENCE	1	FRAME

ENGINE COVER GROUP (600661)

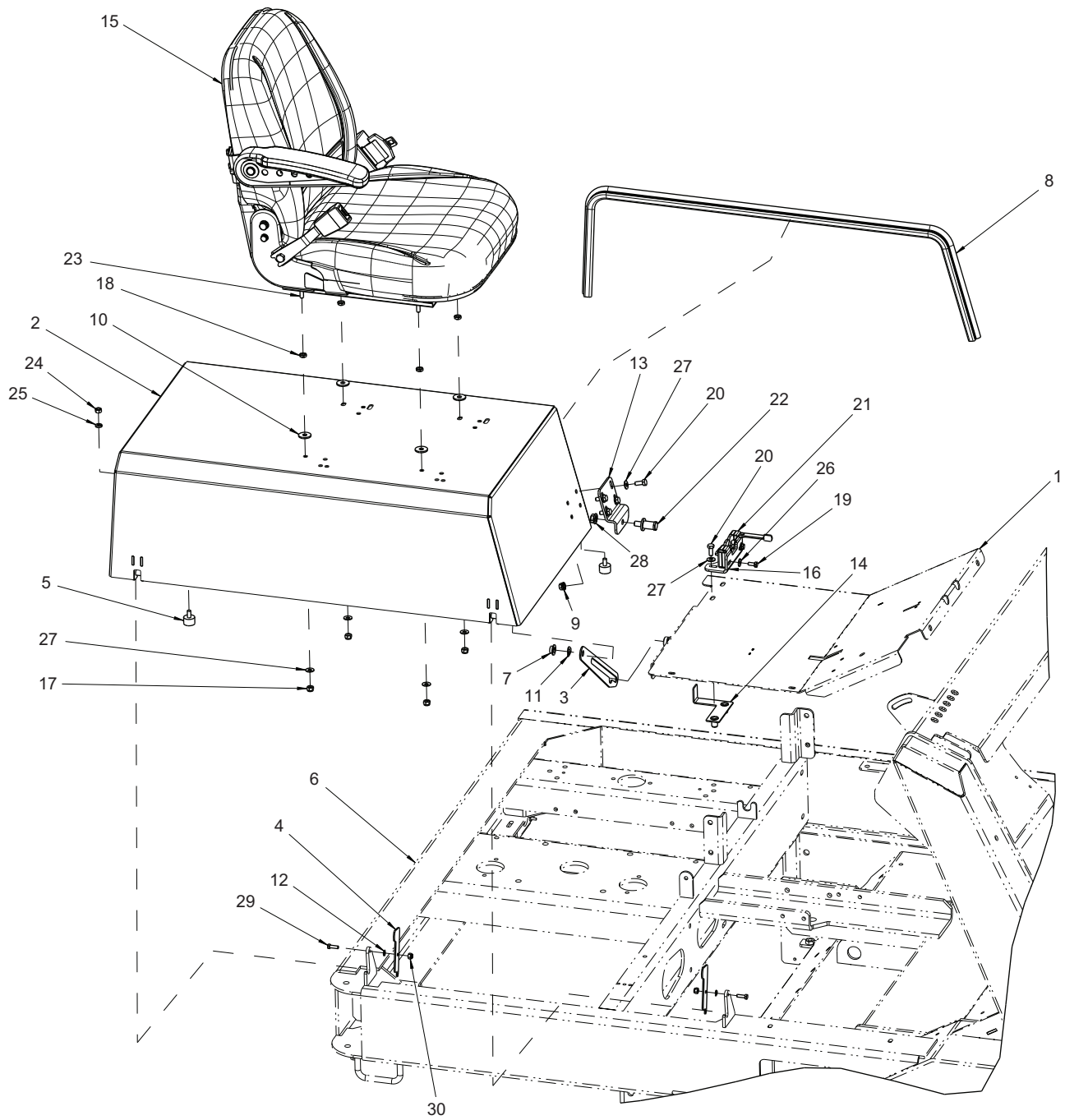


REV B

ENGINE COVER GROUP (600661)

Parts List - 600661			
ITEM	PART NO.	QTY	DESCRIPTION
1	600220	3	BUMPER 1.00X0.625T
2	600380	1	WELDMENT HINGE MALE,ZP
3	600383	1	WELDMENT HINGE MALE ZP
4	600470	1	WELDMENT GRILL, DG
5	600484	2	WELDMENT HINGE FEM,ZP
6	600507L	1	GAS STRUT 30.9 EXT X 13.8 STK W/LOCK
7	600582	1	EDGING
8	600934	8	NUT-FLANGE WIZZ M8-1.25 ZP
9	620636	1	WELDMENT, ENGINE COVER, ORANGE
	620636BR		WELDMENT, ENGINE COVER, BURGUNDY
10	620642	1	EDGING, ENGINE COVER
11	710230	4	SCR-PHMS 8-32 X .62 ZP
12	711319	3	NUT-HEX 5/16-18 ZP
13	711374	2	NUT-NYLOC 5/16-18 ZP
14	717024	8	SCR-HH M8-1.25 X 20 ZP GRADE 8.8
15	3300376	2	STUD-BALL GAS SPR 5/16-18 THRD .391DIA.
16	3307719	1	LATCH-RUBBER SOFT
18	711372	4	NUT-NYLOC 8-32 ZP
19	711545	3	WASHER-LOCK 5/16 SPLIT ZP
20	3400384	8	WASHER-CONICAL SPRING 5/16
21	12040051	4	NUT-NYLOC M8 X 1.25 ZP CLASS 8

SEAT AND PUMP COVER GROUP (600610)

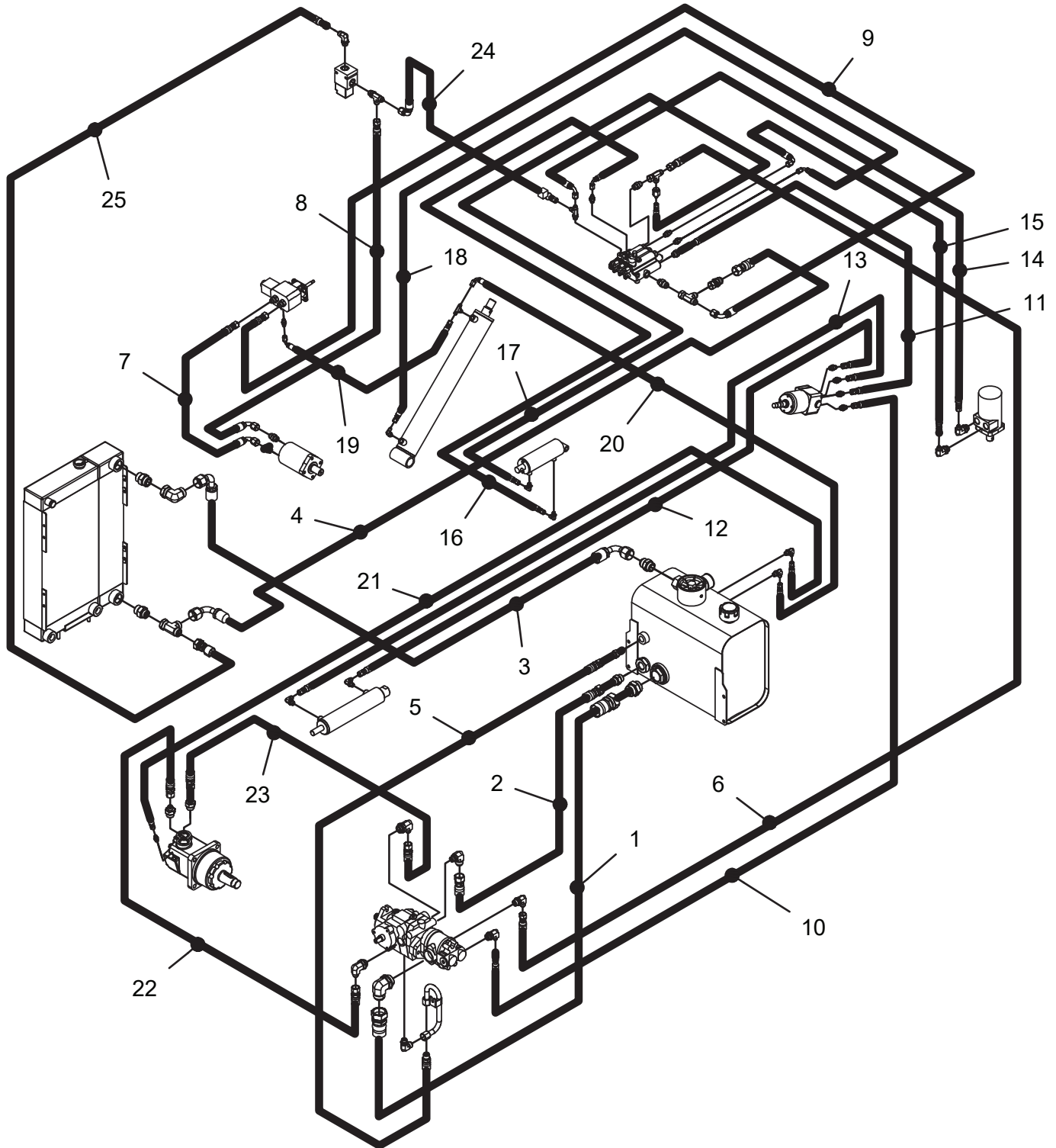


REV D

SEAT AND PUMP COVER GROUP (600610)

Parts List - 600610			
ITEM	PART NO.	QTY	DESCRIPTION
1	REFERENCE	1	WELDMENT, FLOOR
2	600155	1	WELDMENT PUMP COVER, ORANGE
	600155BR		WELDMENT PUMP COVER, BURGUNDY
3	600193	1	RETAINER COVER, ZP
4	600194	2	LATCH COVER, ZP CLEAR
5	600220	2	BUMPER 1.00X0.625T
6	REFERENCE	1	FRAME
7	130032	1	CAP, RETAINER
8	600819	1	EDGING PUMP COVER
9	600934	4	NUT-FLANGE WIZZ M8-1.25 ZP
10	600940	4	WASHER-FENDER M8 X 24 ZP
11	600948	1	WASHER-WAVE .500 ID X 1.00 OD X .040 THI
12	600963	2	WASHER-WAVE M6 DIN 137
13	620194	1	BRACKET, STRIKER
14	620216-1	1	ASSEMBLY, NUT PLATE
15	623000	1	SEAT, STANDARD W/SEAT BELT
16	661303	1	BRACKET, LATCH, 6X
17	711374	4	NUT-NYLOC 5/16-18 ZP
18	711420	4	NUT-JAM 5/16-18 ZP
19	713001	2	SCR-HH 1/4-20 X .62 GR 5 ZP
20	717024	6	SCR-HH M8-1.25 X 20 ZP GRADE 8.8
21	3307246	1	LATCH-LH BROOM DOOR SW/A
22	3307248	1	BOLT-STRIKER BROOM DOOR LATCH
23	3400035	4	SCR-HH 5/16-18 X 1.00 ZP GR 5
24	3400070	6	NUT-HEX 5/16-18 ZP GR 5
25	711545	2	WASHER-LOCK 5/16 SPLIT ZP
26	3400383	2	WASHER-CONICAL SPRING 1/4
27	3400384	10	WASHER-CONICAL SPRING 5/16
28	3400394	1	NUT-FLANGE WIZZ 7/16-14
29	11038098	2	SCR-HH M6-1.0 X 20 ZP CLASS 8.8 DIN
30	12040044	2	NUT-NYLOC M6 X 1.0 ZP CLASS 6

HYDRAULIC HOSE GROUP (600850-1)

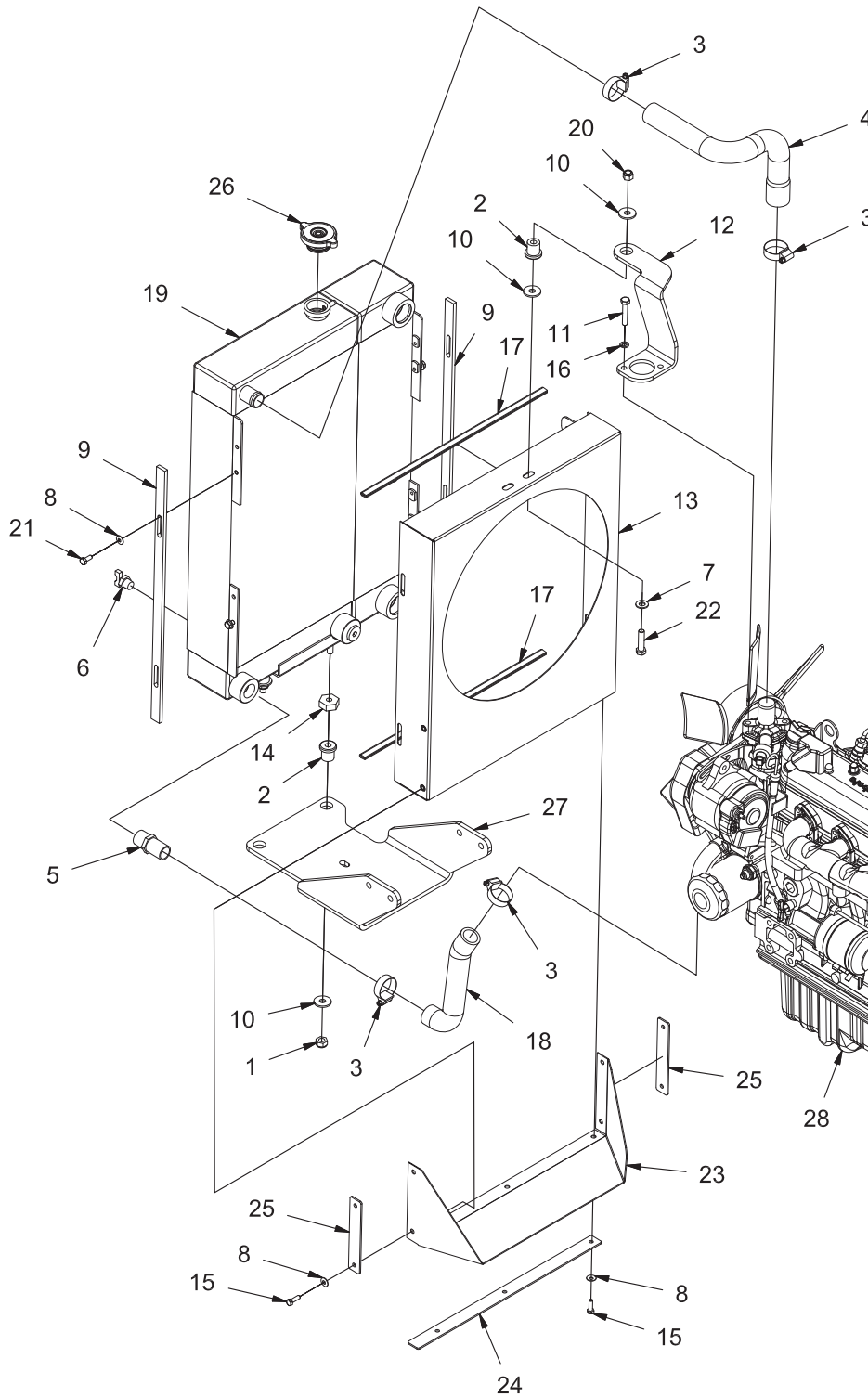


REV B

HYDRAULIC HOSE GROUP (600850-1)

Parts List - 600850-1			
ITEM	PART NO.	QTY	DESCRIPTION
1	600968-1	1	HOSE, 20 STR - 20 STR SUC (RES TO AUX)
2	600969-1	1	HOSE, 12 STR - 12 STR SUC (RES TO CASE)
3	620084-1	1	HOSE, 16 90 - 16 90 RET (COOLER TO RES)
4	600971-1	1	HOSE, 12 STR - 12 90 RET (VALVE TO COOLER)
5	600972-1	1	HOSE, 10 STR - 10 STR MALE RET (CASE TO RES)
6	600973-1	1	HOSE, 8 STR - 8 STR MED (AUX TO VALVE)
7	600974-1	1	HOSE, 8 STR - 8 90 MED (MB TO IMP)
8	600975-1	1	HOSE, 8 STR - 8 90 MED (SOLENOID TO MB)
9	600977-1	1	HOSE, 8 STR - 10 90 MED (IMP TO VALVE RET)
10	600978-1	1	HOSE, 6 STR - 6 STR MED (AUX TO STR PRESS)
11	600979-1	1	HOSE, 6 STR - 6 STR MED (STR TO VALVE RET)
12	600980-1	1	HOSE, 6 STR - 6 STR MED (STR TO CYL F)
13	600981-1	1	HOSE, 6 STR - 6 STR MED (STR TO CYL R)
14	600982-1	1	HOSE, 6 STR - 6 90 MED (SB TO MB THRU VALVE)
15	600983-1	1	HOSE, 6 STR - 6 90 MED (VALVE TO SB)
16	600984-1	1	HOSE, 4 STR - 4 90 MED (VALVE TO DOOR CYL F)
17	600985-1	1	HOSE, 4 STR - 4 STR MED (VALVE TO DOOR CYL R)
18	600986-1	1	HOSE, 4 STR - 4 90 MED (VALVE TO LIFT CYL L)
19	600987-1	1	HOSE, 4 STR - 4 90 RET (IMP TO LIFT CYL U)
20	600988-1	1	HOSE, 4 STR - 4 STR RET (LIFT CYL U TO RES)
21	600989-1	1	HOSE, 4 STR - 4 STR RET (WM CASE TO RES)
22	600990-1	1	HOSE, 8 STR - 8 STR SPCL (VDP R TO WM R)
23	600991-1	1	HOSE, 8 STR - 8 STR SPCL (VDP F TO WM L)
24	620121-1	1	HOSE, 6 STR - 8 90 MED (VALVE OUT TO SOLENOID)
25	620122-1	1	HOSE, 8 STR - 12 STR MED (SOLENOID TO COOLER)

RADIATOR GROUP - DIESEL, GAS, LPG (600615)

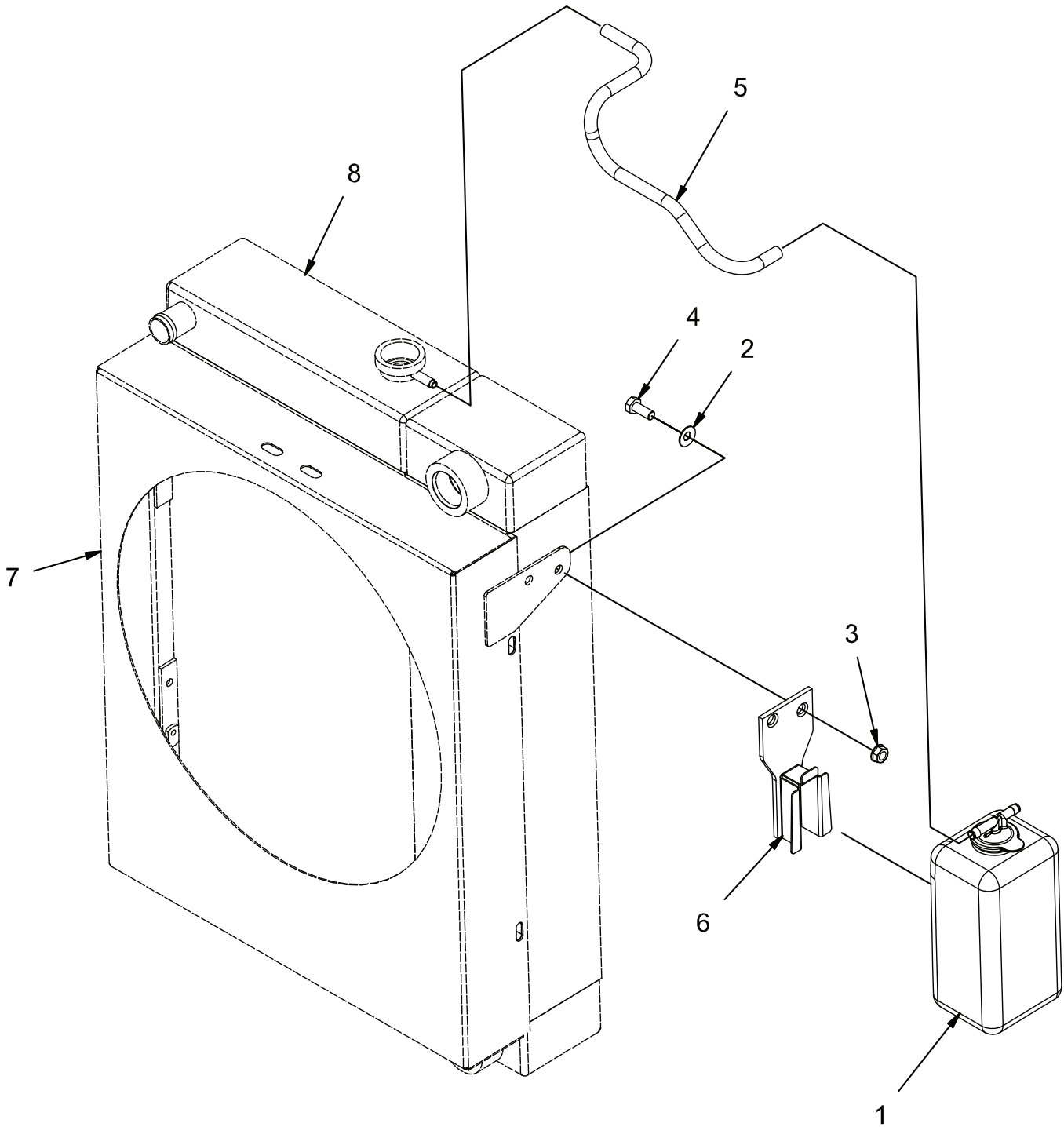


REV E

RADIATOR GROUP - DIESEL, GAS, LPG (600615)

Parts List - 600615			
ITEM	PART NO.	QTY	DESCRIPTION
1	12040069	2	NUT, M10-1.50 ESN
2	3300465	3	ISOLATOR-RUBBER (.375ID X .81OD)
3	3302193	4	CLAMP - SCREW .69" to 1.5" DIA 201SS
4	3332643	1	HOSE-RAD UPPER 1505 (COOLER)
5	3344231	1	FTG-ADAPTER 3/4 NPT X 1.0 HB BRASS
6	3344232	1	PETCOCK - 1/4 NPT (SP) (DRAIN COCK)
7	712301	1	WASHER-FLAT 3/8 ZP
8	3400383	11	WASHER-CONICAL SPRING 1/4
9	600198	2	SPACER, SHROUD, BLACK
10	600363	4	WASHER-FLAT .39 X 1.12 X .1 ZP
11	600820	2	SCR-HH M8-1.25 X 45 ZP CLASS 8.8
12	600867	1	MOUNT UPPER SHROUD DIESEL
13	600875-1	1	ASSEMBLY, FAN SHROUD
14	600884	2	SPACER .40 BORE 1.25 OD .454 T
15	600913	7	SCR-HH M6-1.00 X 20 SS
16	600959	2	WASHER-LOCK M8 ZINC SPLIT
17	620064	2	SEAL, SHROUD, 18 IN
18	690020	1	LOWER RADIATOR HOSE, AM9D
19	690125	1	RADIATOR-OIL COOLER, LP/GAS/DSL
20	711380	1	NUT-NYLOC 3/8-16 ZP
21	713001	4	SCR-HH 1/4-20 X .62 GR 5 ZP
22	713044	1	SCR-HH 3/8-16 X 1.50 ZP GR 5
23	731580	1	SHIELD
24	731581	1	RETAINER, BOTTOM
25	731582	2	RETAINER, SIDE
26	PART OF 3336679	1	RADIATOR CAP
27	REFERENCE	1	FRONT ENGINE MOUNT
28	REFERENCE	1	ENGINE, DIESEL

RADIATOR OVERFLOW GROUP (600602)

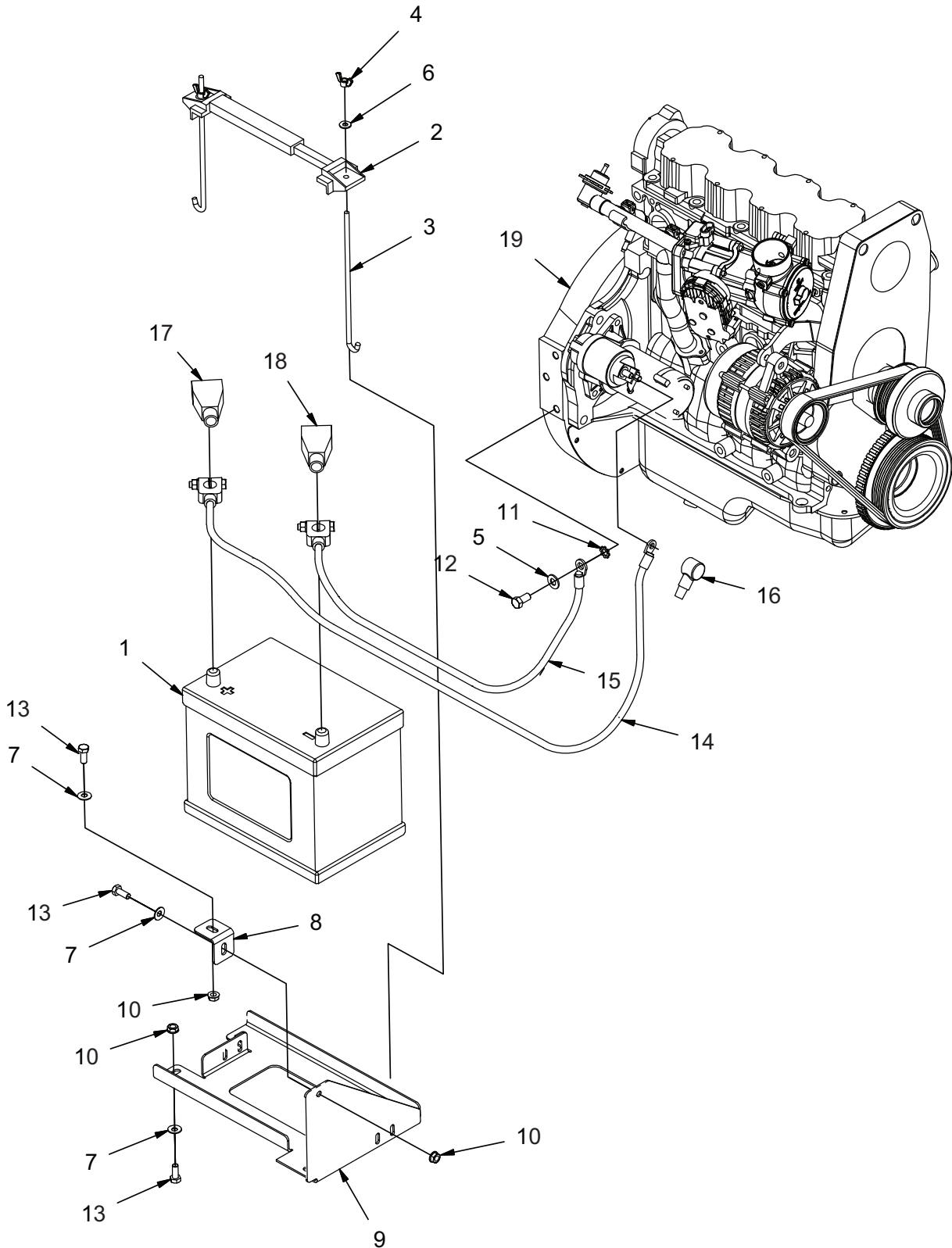


REV A

RADIATOR OVERFLOW GROUP (600602)

Parts List - 600602			
ITEM	PART NO.	QTY	DESCRIPTION
1	3318752	1	OVERFLOW BOTTLE
2	3400384	2	WASHER, 5/16 BELLEVILLE
3	600934	2	NUT, M8-1.25 FLNG
4	717024	2	BOLT, M8-1.25 X 20 HH
5	PART OF 3318752	1	HOSE, OVERFLOW
6	PART OF 3318752	1	BRACKET, BOTTLE
7	REFERENCE	1	FAN SHROUD, DIESEL
8	REFERENCE	1	RADIATOR

BATTERY GROUP (600770)

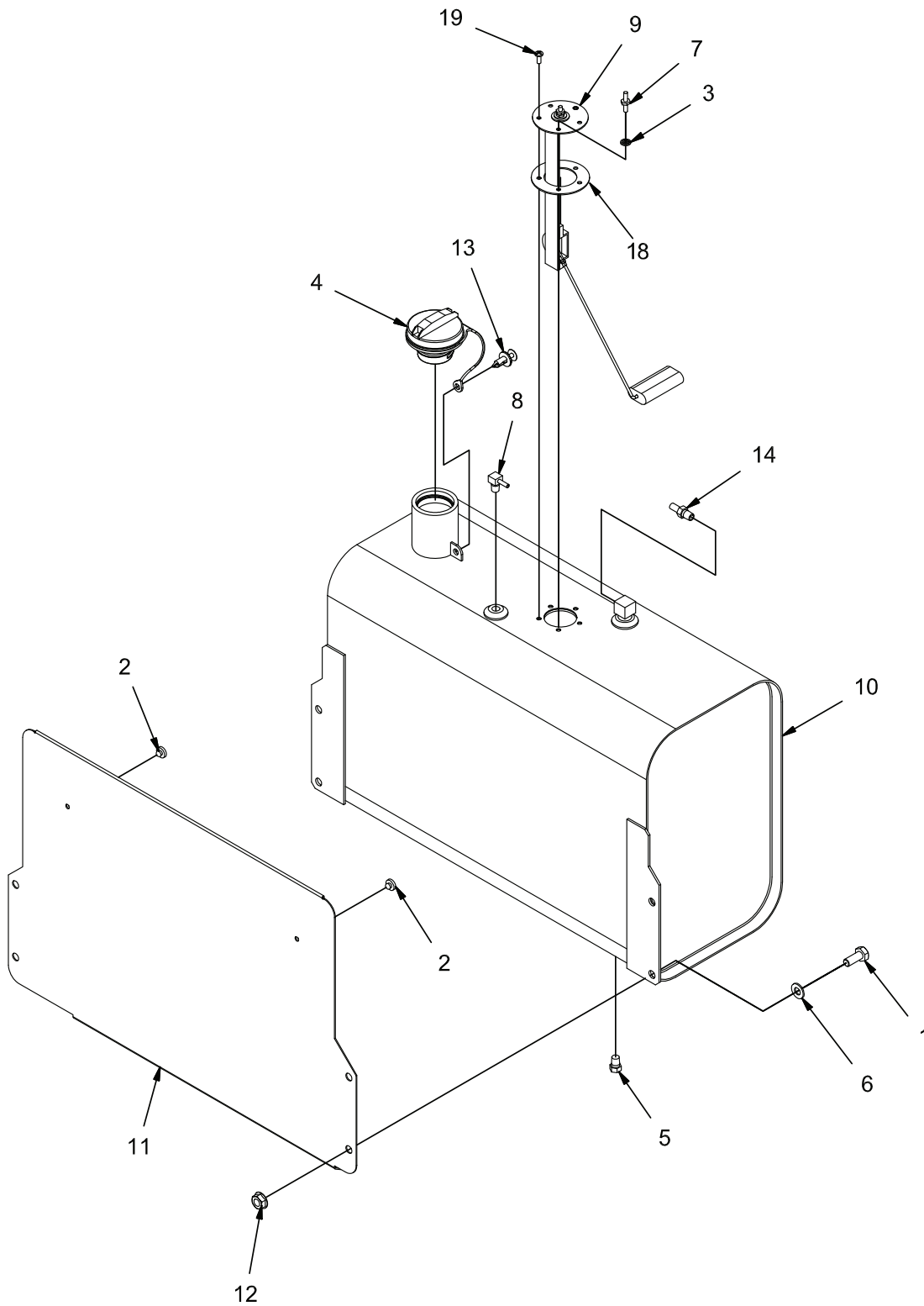


REV C

BATTERY GROUP (600770)

Parts List - 600770			
ITEM	PART NO.	QTY	DESCRIPTION
1	3300440	1	BATTERY, 12V
2	3301076	1	HOLD DOWN, BATTERY
3	3301079	2	ROD, BATTERY TIE DOWN
4	3400085	2	WING NUT, 1/4-20 ZP
5	712301	1	WASHER, 3/8
6	711505	2	WASHER, 1/4 .625 X .281 X .063
7	3400384	5	WASHER, 5/16 BELLEVILLE
8	600512	1	CLIP
9	600513	1	BATTERY TRAY
10	600934	5	NUT, M8-1.25 FLNG
11	711555	1	LOCK WASHER, 3/8 INT STAR
12	713041	1	SCREW, 3/8-16 X .750 HHC
13	717024	5	BOLT, M8-1.25 X 20 HH
14	748567	1	CABLE, BATTERY, POS
15	748902	1	CABLE, BATTERY, NEG
16	PART OF 748567	1	BOOT, TERM, RED
17	PART OF 748567	1	BOOT, BATTERY, RED
18	PART OF 748902	1	BOOT, BATTERY, BLACK
19	REFERENCE	1	ENGINE

FUEL TANK GROUP - DIESEL (600618)

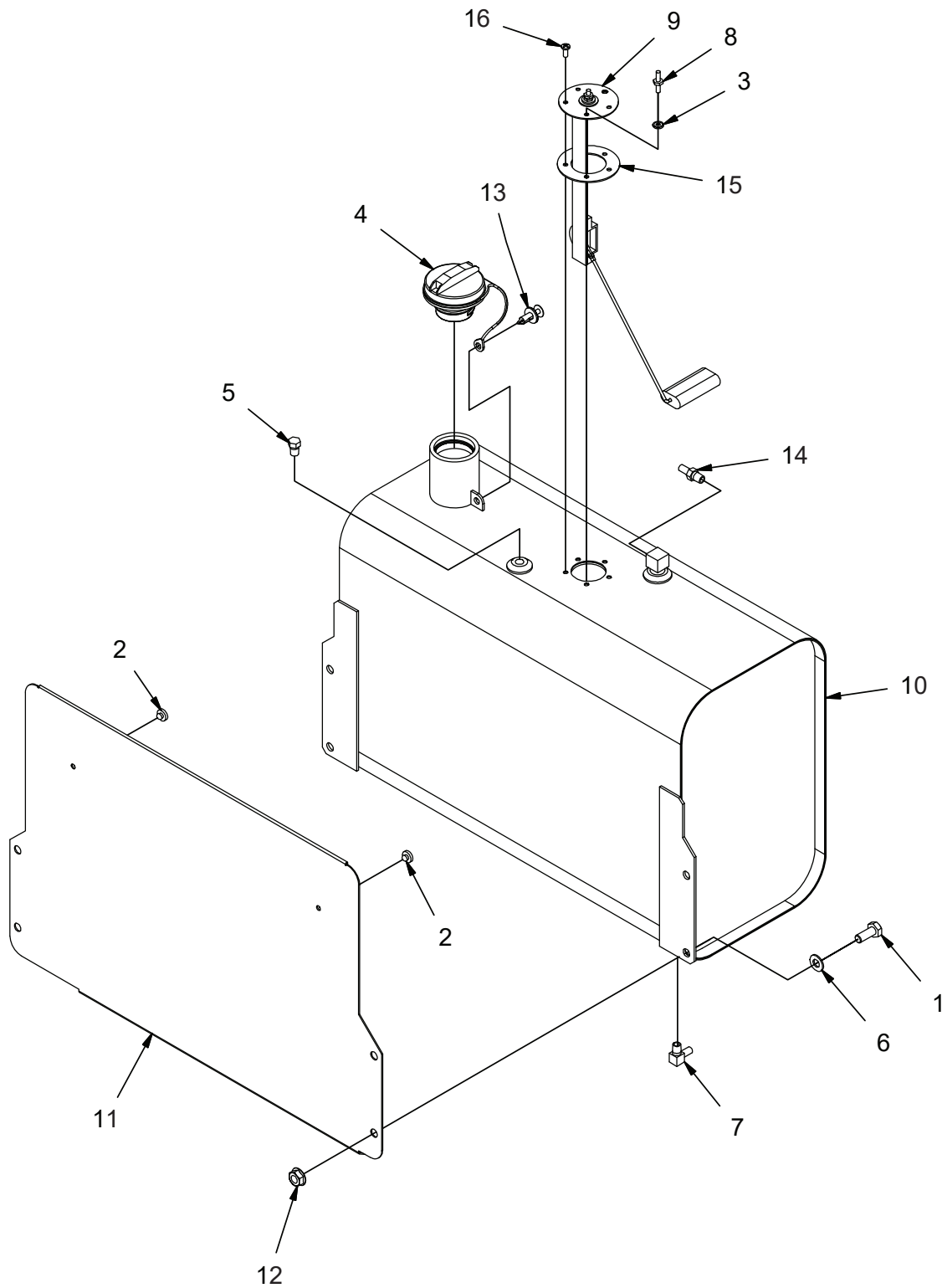


REV F

FUEL TANK GROUP - DIESEL (600618)

Parts List - 600618			
ITEM	PART NO.	QTY	DESCRIPTION
1	11038346	4	BOLT, M10-1.50 X 25 HH
2	3300526	2	BUMPER, .25 ID .125 T
3	3337019	1	SEAL, #10
4	3343413	1	CAP, FUEL TANK
5	3400256	1	PLUG, 1/4 NPT
6	3400385	4	WASHER, 3/8. BELLEVILLE
7	3401579	1	SCREW, HEX, STANDOFF, 2X #10-32 X .50
8	3402022	1	FITTING, 90, 1/4 NPT X .184 BARB
9	620307-1	1	SENDING UNIT, FUEL LEVEL
10	600181	1	FUEL TANK
11	600505	1	OVERFLOW PLT
12	600936	4	NUT, M10-1.50 FLNG
13	600965	1	FASTENER, PRESS-IN
14	620052	1	FITTING, STR, 1/4 NPT - 5/16 BARB
15	748937	1	WIRE ASSY - FUEL SENDING UNIT (NOT SHOWN)
16	748938	1	FUEL GAUGE ASSY INSTRUCTIONS (NOT SHOWN)
17	748946	1	QC5, WIRE JUNCTION (NOT SHOWN)
18	811023	1	GASKET, SENDER
19	3401636	4	SCR-PHMS 10-32 X .50 SS W/O-RING

FUEL TANK GROUP - GAS (600634)

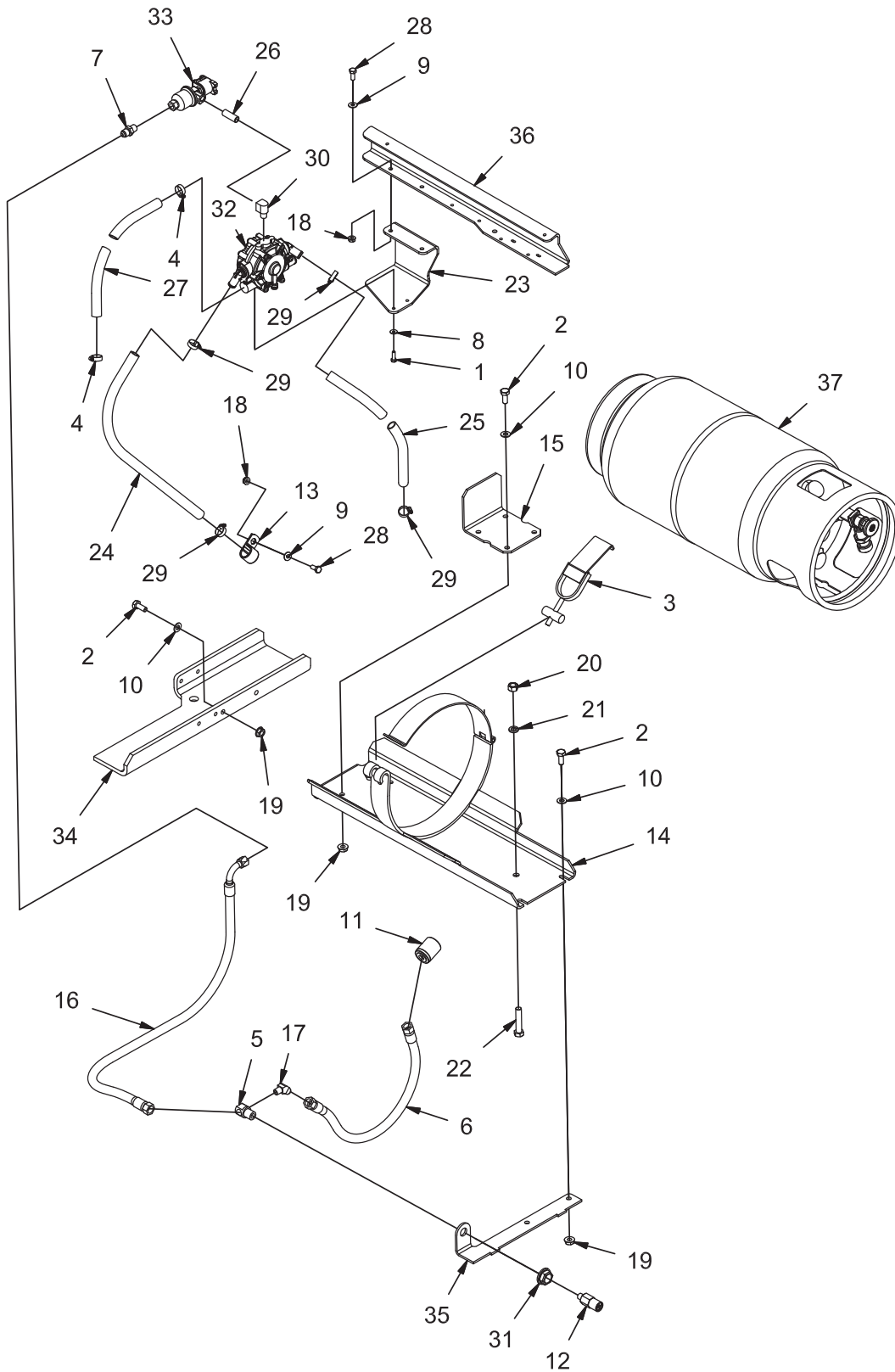


REV D

FUEL TANK GROUP - GAS (600634)

Parts List - 600634			
ITEM	PART NO.	QTY	DESCRIPTION
1	11038346	4	BOLT, M10-1.50 X 25 HH
2	3300526	2	BUMPER, .25 ID .125 T
3	3337019	1	SEAL, #10
4	3343413	1	CAP, FUEL TANK
5	3400256	1	PLUG, 1/4 NPT
6	3400385	4	WASHER, 3/8. BELLEVILLE
7	3401445	1	FITTING, 90, 1/4 NPT X 5/16 BARB
8	3401579	1	SCREW, HEX, STANDOFF, 2X #10-32 X .50
9	620307-1	1	SENDING UNIT, FUEL LEVEL
10	600181	1	FUEL TANK
11	600505	1	OVERFLOW PLT
12	600936	4	NUT, M10-1.50 FLNG
13	600965	1	FASTENER, PRESS-IN
14	620052	1	FITTING, STR, 1/4 NPT - 5/16 BARB
15	811023	1	GASKET, SENDER
16	3401636	4	SCR-PHMS 10-32 X .50 SS W/O-RING
17	748937	1	WIRE ASSY - FUEL SENDING UNIT (NOT SHOWN)
18	748938	1	FUEL GAUGE ASSY INSTRUCTIONS (NOT SHOWN)
19	748946	1	QC5, WIRE JUNCTION (NOT SHOWN)

LPG TANK GROUP (600710)

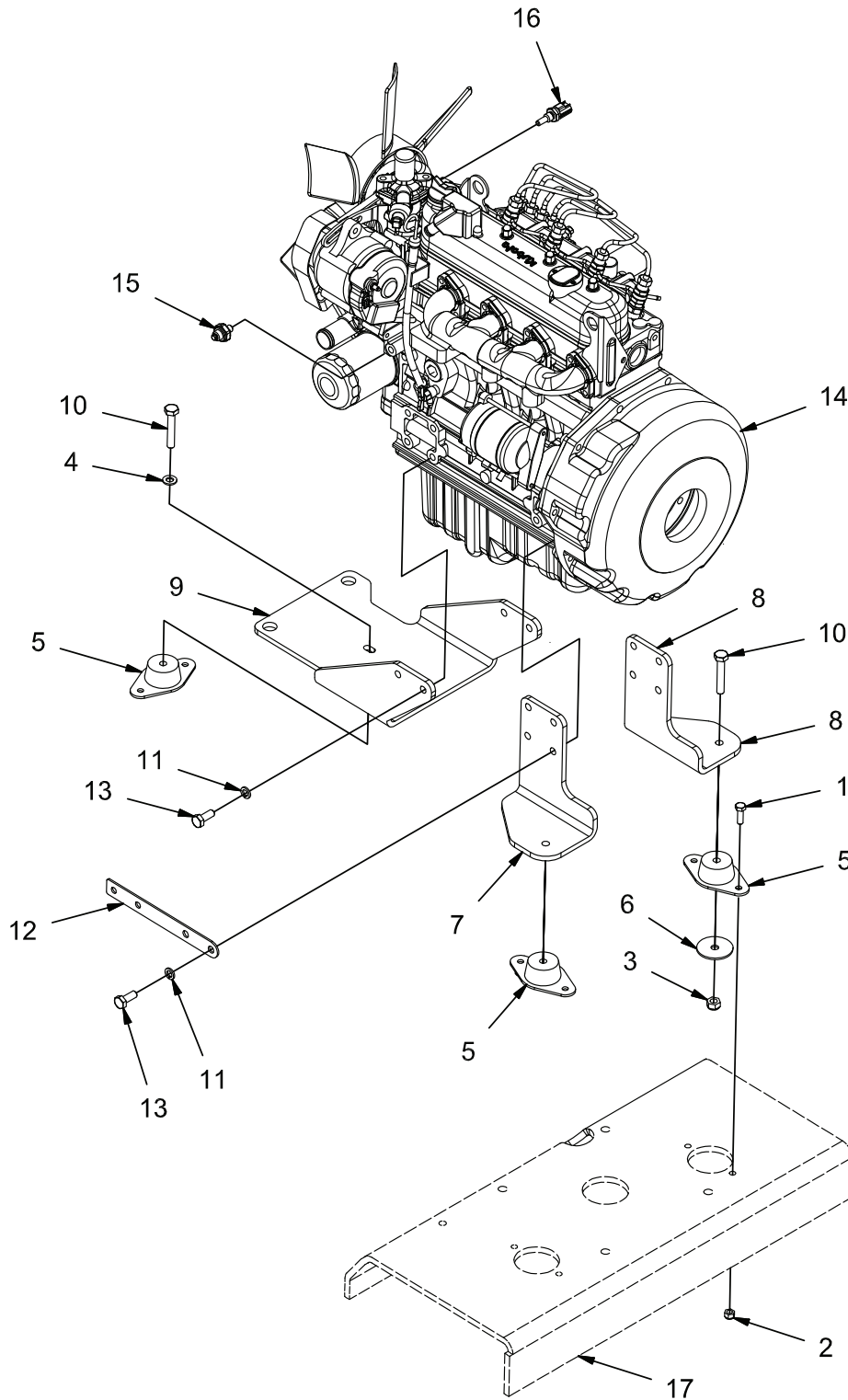


REV J

LPG TANK GROUP (600710)

Parts List - 600710			
ITEM	PART NO.	QTY	DESCRIPTION
1	11038098	2	SCR-HH M6-1.0 X 20 ZP CLASS 8.8 DIN
2	11038346	6	SCR-HH M10-1.5 X 25 ZD CLASS 8.8
3	220131	1	BUCKLE
4	3300535	2	CLAMP - SCREW .5" to 1.25" DIA 201SS
5	3316511	1	FITTING, BULKHEAD ASSEMBLY
6	3335375	1	HOSE - 5/16 LP 28.5 SAE 45 ST#6 ST#6
7	3342097	2	3/8 MALE SAE FLARE X 1/4 NPT
8	3400383	2	WASHER-CONICAL SPRING 1/4
9	3400384	3	WASHER-CONICAL SPRING 5/16
10	3400385	6	WASHER-CONICAL SPRING 3/8
11	3400860	1	FTG-LP TANK CONNECT
12	3400862	1	VALVE-LP RELIEF
13	3400999	1	CLAMP - WIRE & TUBE 1.125 DIA STEEL
14	600459-1	1	WELDMENT, LPG MOUNT
15	600461-1	1	LPG MNT, STOP
16	600906	1	HOSE LPG
17	600908	1	FTG-ELBOW 45 FLARE 3/8 TUBE X 1/4 NPT BR
18	600934	3	NUT-FLANGE WIZZ M8-1.25 ZP
19	600936	6	NUT-FLANGE WIZZ M10-1.50 ZP CLASS 8
20	600949	1	NUT-HEX M12-1.75 ZP CLASS 8
21	600961	1	WASHER-LOCK M12 STL ZP CLEAR
22	620036	1	SCR-HH M12-1.75 X 60 ZP CLASS 8.8
23	620237	1	MOUNT, VAPORIZER
24	620654	1	HOSE, COOLANT, 5/8 IN ID X 20 IN LG
25	620655	1	HOSE, COOLANT, 5/8 IN ID X 24 IN LG
26	3400498	1	FTG-NIPPLE 1/4 NPT X 2.00 LG BRASS
27	620666	1	HOSE, LP, 3/4 ID, 24 IN
28	717024	3	SCR-HH M8-1.25 X 20 ZP GRADE 8.8
29	829129	4	CLAMP - SCREW .313" to .875" DIA 301SS
30	831306	1	FTG-ELBOW 90 ST 1/4 MPT X 1/4 FPT BRASS
31	PART OF 3316511	1	NUT, VALVE MOUNT
32	PART OF ENGINE	1	VAPORIZER (13098-62401)
33	PART OF ENGINE	1	SOLENOID AND LOCK OFF (EG523-46951)
34	REFERENCE	1	FRAME
35	REFERENCE	1	FRAME
36	REFERENCE	1	COVER FRAME
37	REFERENCE	1	TANK, LPG

ENGINE MOUNT GROUP - DIESEL (600657)

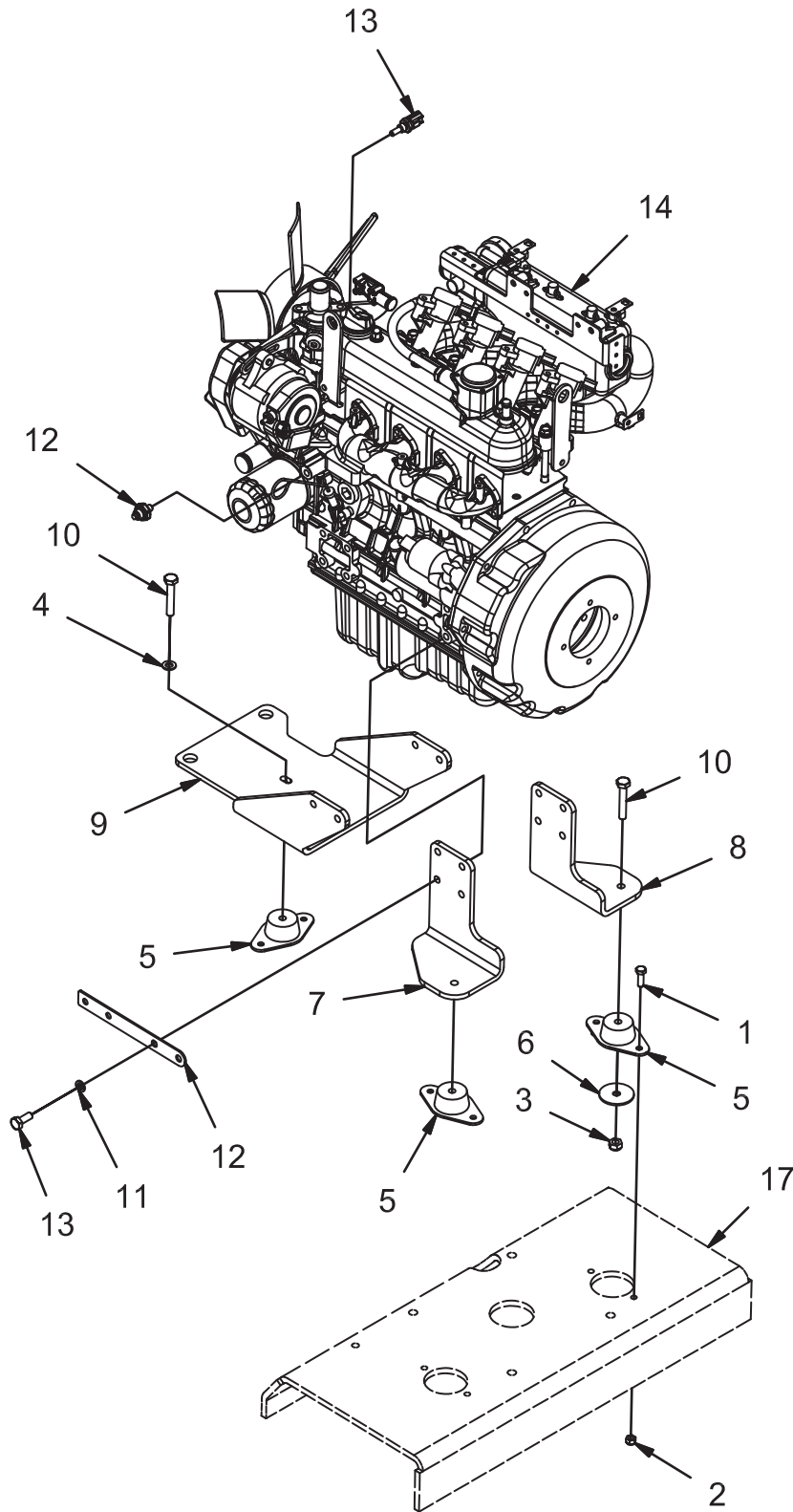


REV *

ENGINE MOUNT GROUP - DIESEL (600657)

Parts List - 600657			
ITEM	PART NO.	QTY	DESCRIPTION
1	11038247	6	BLT-HH M8-125 X 25 STL ZINC
2	12040051	6	NUT, M8-1.25 ESN
3	12040069	3	NUT, M10-1.50 ESN
4	12310058	1	WASHER, M10
5	600212	3	ISOLATOR, VIBRATION
6	600333	3	WASHER, SAFETY
7	600881	1	MOUNT, REAR OUTER DIESEL ENG
8	600882	1	MOUNT, REAR INNER DIESEL ENG
9	600899	1	MOUNT, FRONT DIESEL ENG
10	600925	3	BOLT, M10-1.50 X 60 HH
11	600945	12	LOCK WASHER, M10
12	620081	1	MOUNT, HARNESS
13	620082	12	BOLT, M10-1.25 X 25 HH ZP
14	620234F	1	ENGINE, DSL, (KUBOTA V1505-11995)
15	PART OF 620234	1	SWITCH, OIL PRESSURE (603015)
16	PART OF 620234	1	SWITCH, WATER TEMP (603014)
17	REFERENCE	1	FRAME

ENGINE MOUNT GROUP - GAS (600658)

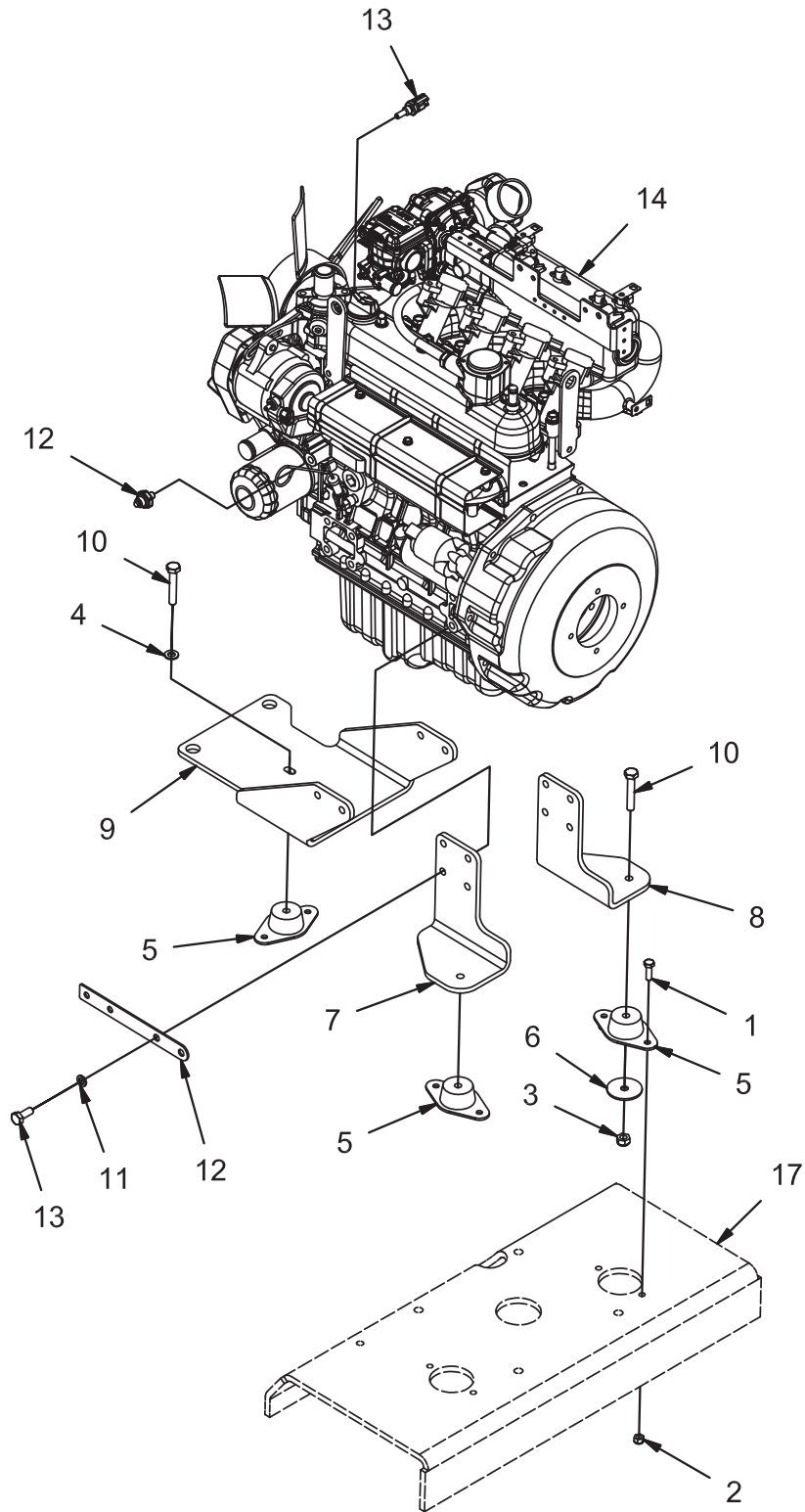


REV B

ENGINE MOUNT GROUP - GAS (600658)

Parts List - 600658			
ITEM	PART NO.	QTY	DESCRIPTION
1	11038247	6	BLT-HH M8-125 X 25 STL ZINC
2	12040051	6	NUT, M8-1.25 ESN
3	12040069	3	NUT, M10-1.50 ESN
4	12310058	1	WASHER, M10
5	600212	3	ISOLATOR, VIBRATION
6	600333	3	WASHER, SAFETY
7	600881	1	MOUNT, REAR OUTER DIESEL ENG
8	600882	1	MOUNT, REAR INNER DIESEL ENG
9	600899	1	MOUNT, FRONT DIESEL ENG
10	600925	3	BOLT, M10-1.50 X 60 HH
11	600945	12	LOCK WASHER, M10
12	620081	1	MOUNT, HARNESS
13	620082	12	BOLT, M10-1.25 X 25 HH ZP
14	620700	1	ENGINE, GAS (KUBOTA WG1605G-12380)
15	748423	1	WIRE ASSY, FUEL PUMP
16	PART OF 6230700		SWITCH, OIL PRESSURE (603001)
17	PART OF 620700		SWITCH, WATER TEMP (603000)
18	REFERENCE		FRAME
19	748423		WIRE ASSY, FUEL PUMP (NOT SHOWN)

ENGINE MOUNT GROUP - LPG (600659)

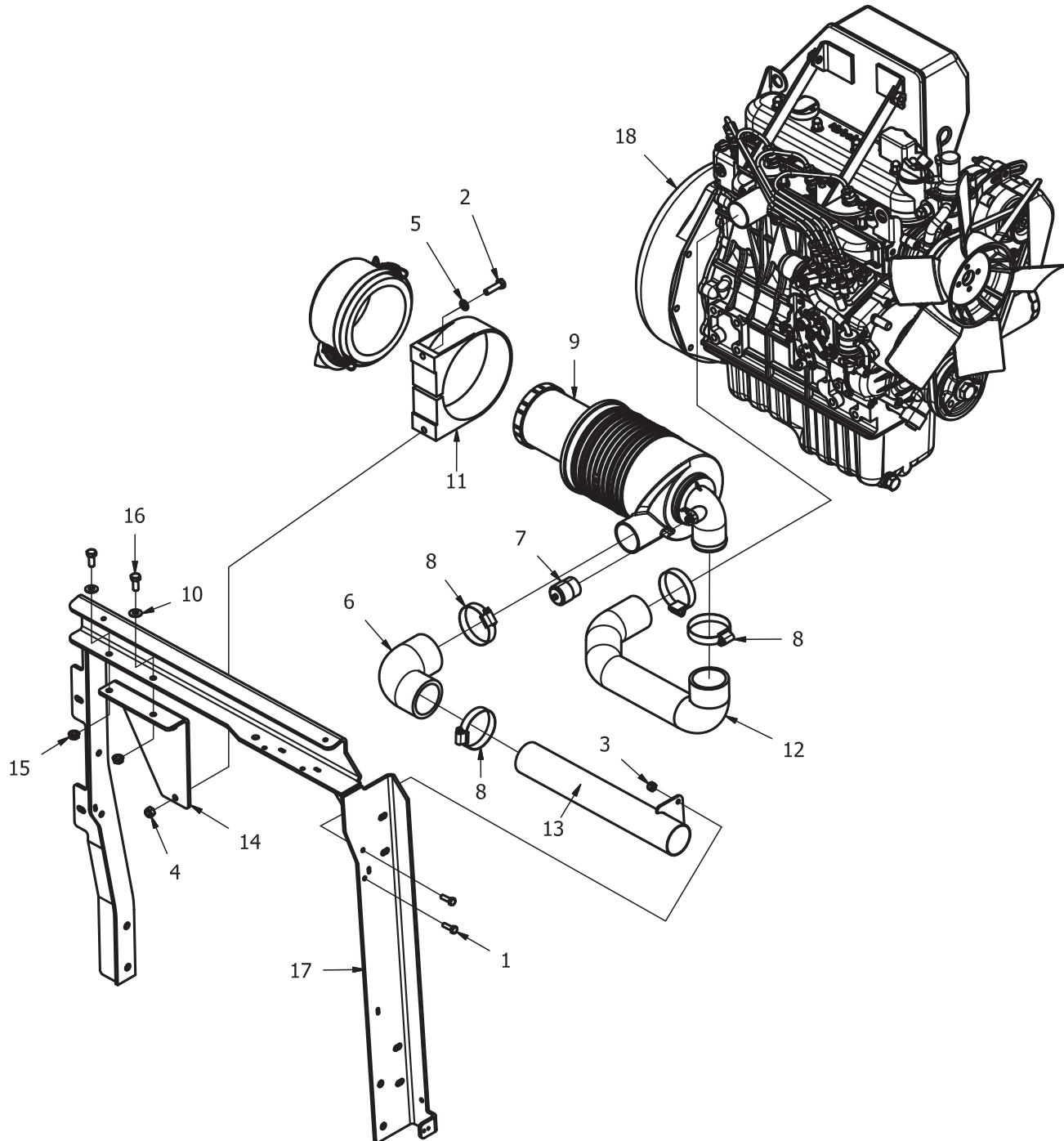


REV A

ENGINE MOUNT GROUP - LPG (600659)

Parts List - 600659			
ITEM	PART NO.	QTY	DESCRIPTION
1	11038247	6	SCR-HH M8-1.25 X 25 ZP CLASS 8.8
2	12040051	6	NUT-NYLOC M8 X 1.25 ZP CLASS 8
3	12040069	3	NUT-NYLOC M10 X 1.5 ZD CLASS 6
4	12310058	1	WASHER-FLAT M10.5 X 20 X 2 ZP
5	600212	3	ISOLATOR VIBRATION
6	600333	3	WASHER-FLAT.425 X 2.00 X .1 THK ZP
7	600881	1	MOUNT REAR OUTER DIESEL ENG
8	600882	1	MOUNT REAR INNER DIESEL ENG
9	600899	1	MOUNT FRONT DIESEL ENGINE
10	600925	3	SCR-HH M10-1.5 X 60 ZP CLASS 8.8
11	600945	12	WASHER-LOCK M10
12	620081	1	MOUNT, HARNESS
13	620082	12	SCR-HH M10-1.25 X 25 ZP CLASS 8.8
14	620699	1	ENGINE - LPG A/N (CAT MUFFLER WG1605L)
15	PART OF 620699	1	SWITCH, OIL PRESSURE (603001)
16	PART OF 620699	1	SWITCH, WATER TEMP (603000)
17	REFERENCE	1	FRAME

AIR CLEANER GROUP - DIESEL (600614)

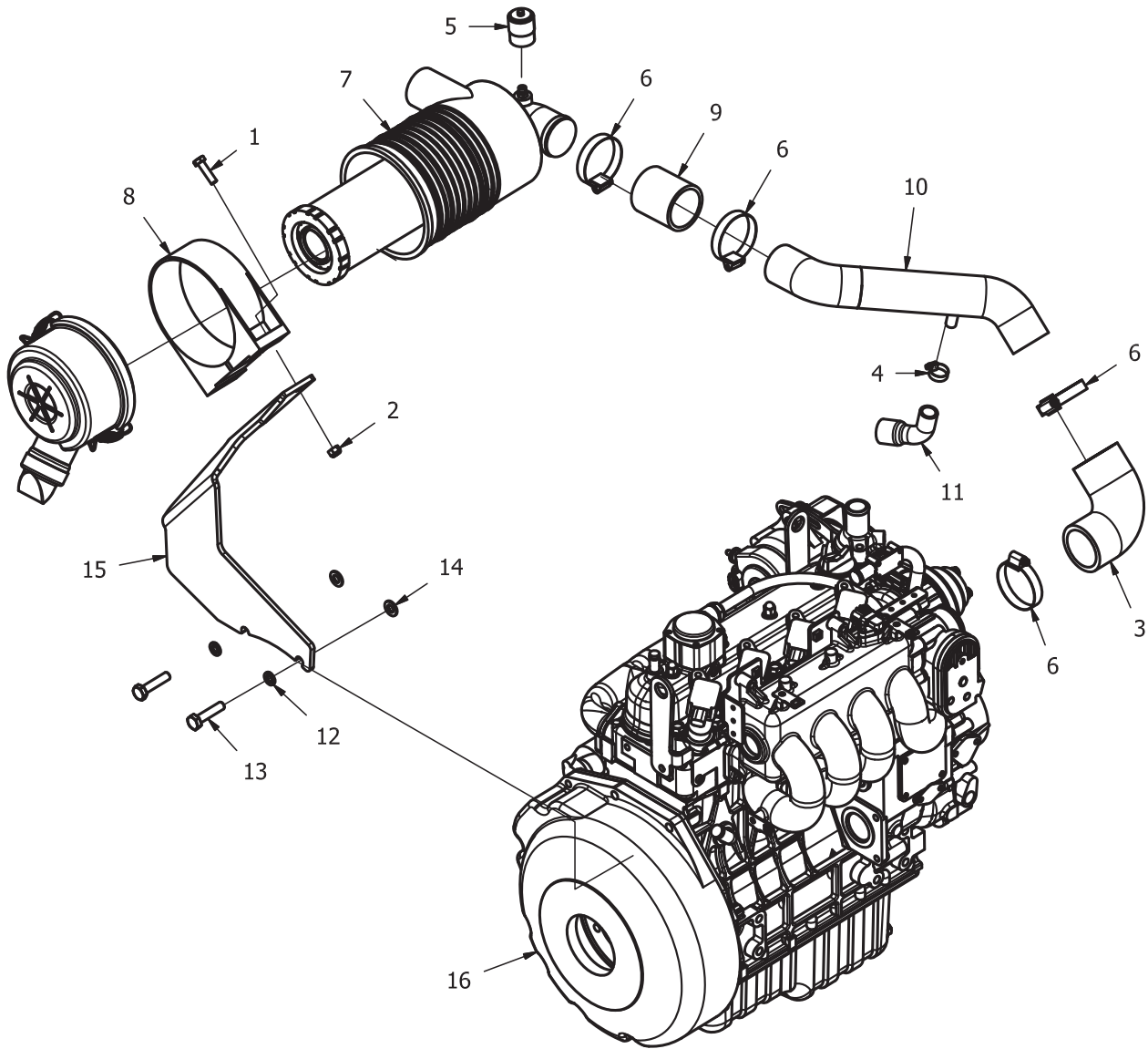


REV A

AIR CLEANER GROUP - DIESEL (600614)

Parts List - 600614			
ITEM	PART NO.	QTY	DESCRIPTION
1	11038098	2	BOLT, M6-100 X 20 HH
2	11038254	2	BOLT, M8-125 X 30 HH
3	12040044	2	NUT, M6-1.00 ESN
4	12040051	2	NUT, M8-1.25 ESN
5	12310041	2	WASHER, M8
6	3300396	1	ADAPTER, 2" 90
7	3303991	1	INDICATOR, FLTR SERVICE
8	3312189	4	CLAMP, HOSE, 2.00
9	3317917	1	AIR CLEANER-RADIAL
10	3400384	2	WASHER, 5/16 BELLEVILLE
11	600385	1	MOUNTING BAND, AIR CLEANER
12	600866	1	HOSE, DIESEL INTAKE
13	600877	1	WELDMENT, AIR INTAKE, DIESEL
14	600883	1	MOUNT, AIR CLEANER, DIESEL
15	600934	2	NUT, M8-1.25 FLNG
16	717024	2	BOLT, M8-1.25 X 20 HH
17	REFERENCE	1	COVER FRAME
18	REFERENCE	1	ENGINE

AIR CLEANER GROUP - GAS (600629)

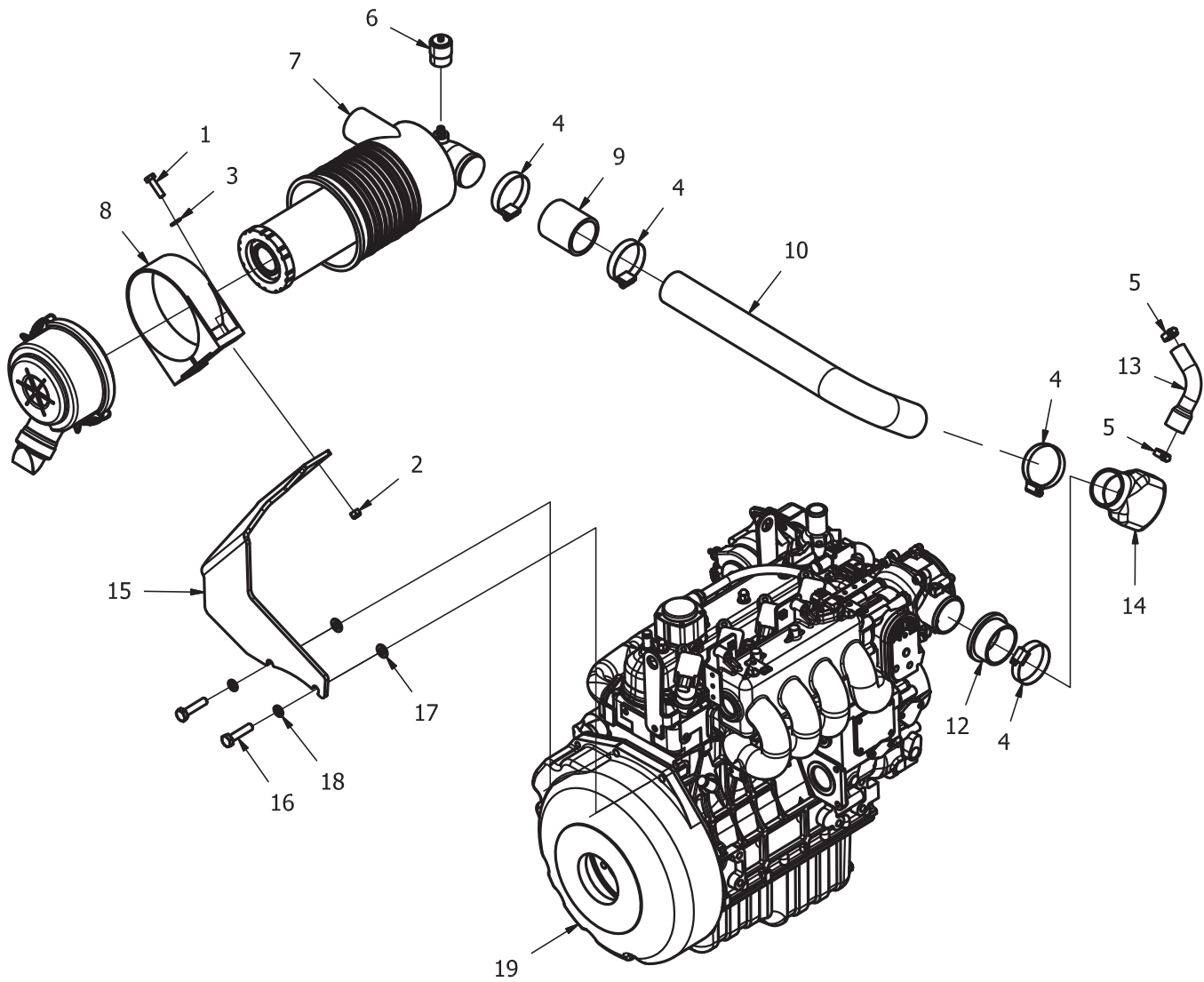


REV D

AIR CLEANER GROUP - GAS (600629)

Parts List - 600629			
ITEM	PART NO.	QTY	DESCRIPTION
1	11038254	2	BOLT, M8-125 X 30 HH
2	12040051	2	NUT, M8-1.25 ESN
3	3300396	1	ADAPTER, 2" 90
4	3300535	1	CLAMP, HOSE, .50
5	3303991	1	INDICATOR, FLTR SERVICE
6	3312189	4	CLAMP, HOSE, 2.00
7	3317917	1	HOUSING, AIR FLTR
8	600385	1	MOUNTING BAND, AIR CLEANER
9	730056	1	HOSE, 2.00 X 2.50
10	620648	1	WELDMENT, INTAKE TUBE, GAS
11	620659	1	HOSE, PCV, 20 IN
12	600945	2	WASHER-LOCK M10
13	620667	2	SCR-HH M10-45 X 1.25 ZP CLASS 10.9
14	12310058	2	WASHER-FLAT M10.5 X 20 X 2 ZP
15	620664	1	MOUNT, AIR FILTER
16	REFERENCE	1	ENGINE

AIR CLEANER GROUP - LPG (600605)

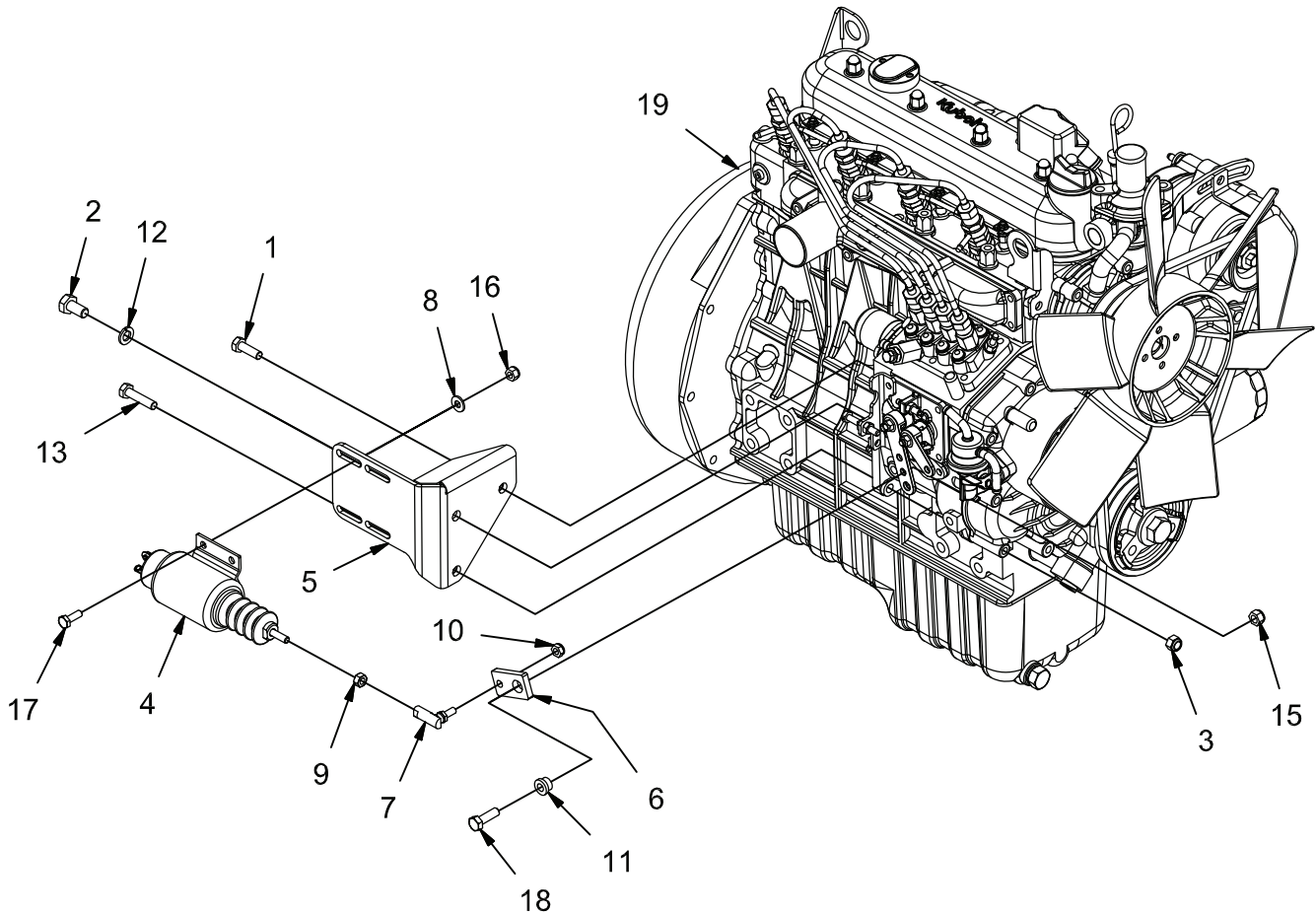


REV E

AIR CLEANER GROUP - LPG (600605)

Parts List - 600605			
ITEM	PART NO.	QTY	DESCRIPTION
1	11038254	2	BOLT, M8-125 X 30 HH
2	12040051	2	NUT, M8-1.25 ESN
3	12310041	2	WASHER, M8
4	3044112	4	CLAMP, HOSE, SS, 2.50 MAX
5	3300535	2	CLAMP, HOSE, .50
6	3303991	1	INDICATOR, FLTR SERVICE
7	3317917	1	HOUSING, AIR FLTR
8	600385	1	MOUNTING BAND, AIR CLEANER
9	730056	1	HOSE, 2.00 X 2.50
10	620652	1	TUBE, AIR INTAKE, LPG
12	620657	1	INSERT, EPI P/N 25R225
13	620660	1	HOSE, PCV, 26 IN
14	620662	1	COBRA AIR INTAKE
15	620664	1	MOUNT, AIR FILTER
16	620667	2	SCR-HH M10-45 X 1.25 ZP CLASS 10.9
17	12310058	2	WASHER-FLAT M10.5 X 20 X 2 ZP
18	600945	2	WASHER-LOCK M10
19	REFERENCE	1	ENGINE

THROTTLE SOLENOID GROUP - DIESEL (600628)

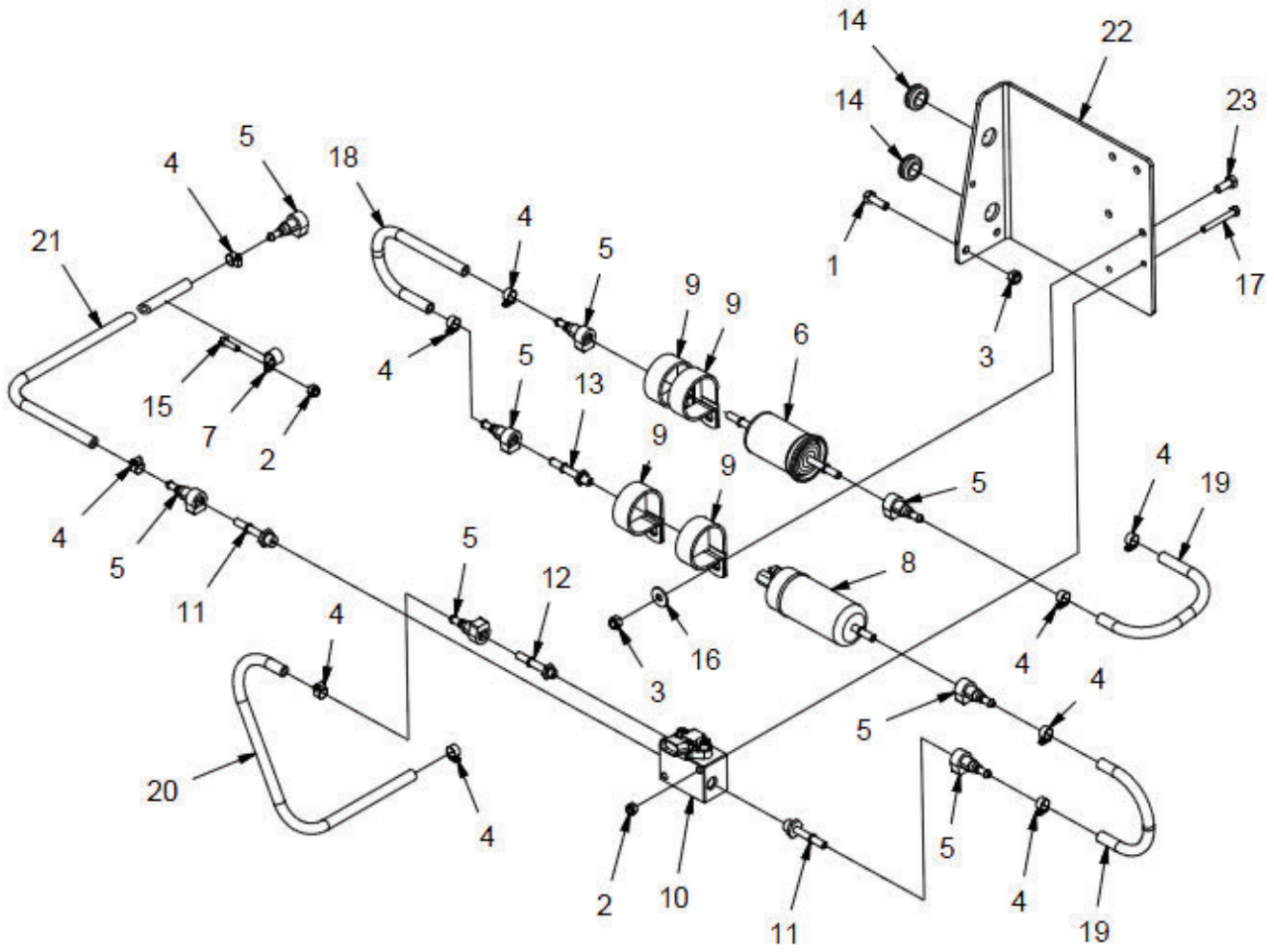


REV B

THROTTLE SOLENOID GROUP - DIESEL (600628)

Parts List - 600628			
ITEM	PART NO.	QTY	DESCRIPTION
1	11038247	1	BLT-HH MB-125 X 25 STL ZINC
2	11038353	1	BOLT, M10-1.50 X 20 HH
3	12040051	1	NUT, MB-1.25 ESN
4	3335303	1	SOLENOID, THROTTLE
5	3335358	1	BRACKET, THROTTLE SOLENOID
6	3335364	1	PLT, KBA V1505 DSL SOLENOID THROTTLE
7	3342225	1	BALL JOINT, 1/4-28 STD LG
8	711505	4	WASHER, 1/4 .625 X .281 X .063
9	3400180	1	NUT, 1/4-28
10	3400373	1	NUT, LOW HEIGHT 1/4-28 ESN
11	3401071	1	BUSHING, FLNG, .312 ID X .50 OD X .375
12	3401458	1	LOCK WASHER, M10
13	600918	1	BOLT, MB-125 X 35 HH
14	600959	2	LOCK WASHER, MB
15	711374	1	NUT, FIBER INSERT 5/16-18
16	711377	4	NUT, FIBER INSERT 1/4-20
17	713002	4	SCREW, 1/4-20 X .750 HHC
18	713027	1	SCREW, 5/16-18 X 1.000 HHM
19	REFERENCE	1	ENGINE

FUEL COMPONENT GROUP - GAS (600635)

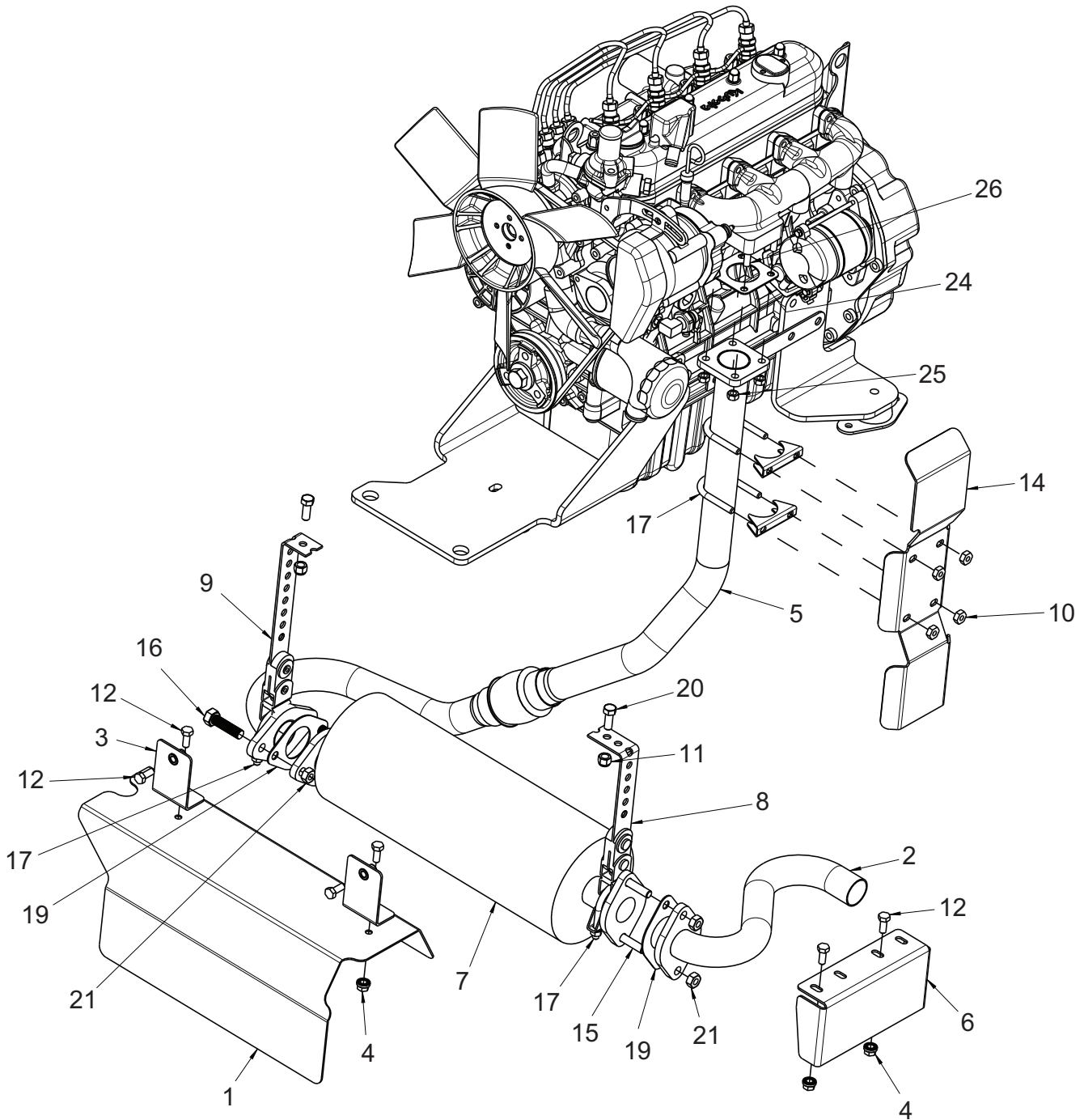


REV A

FUEL COMPONENT GROUP - GAS (600635)

Parts List			
ITEM	PART NUMBER	QTY	DESCRIPTION
1	11038247	2	SCR-HH M8-1.25 X 25 ZP CLASS 8.8
2	12040044	3	NUT-NYLOC M6 X 1.0 ZP CLASS 6
3	12040051	6	NUT-NYLOC M8 X 1.25 ZP CLASS 8
4	3302338	10	CLAMP-HOSE .22 TO .62
5	3342207	8	FTG-FUEL HOSE BARB
6	3342209	1	FILTER-FUEL GM 1.6/3.0
7	3343082	1	CLAMP-PIPE, 9/16 DIA, INSULATED (STRAP)
8	3343536	1	PUMP-FUEL GM1.6L & GM3.0
9	3343539	4	CLAMP-P TYPE, 2 DIA
10	3343617	1	MANIFOLD-FUEL TEMP/RETURN
11	3401088	2	FTG-6 STOR-5/16 SAE J2044
12	3401089	1	FTG-3 STOR-3/8 SAE J2044
13	3401090	1	FTG-ADAPTER, FUEL 3/8-24 NO RING
14	600151	2	GROMMET, .63 ID .88 OD .25 T
15	600913	1	SCR-HH M6-1.00 X 20 SS
16	600940	4	WASHER-FENDER M8 X 24 ZP
17	600953	2	SCR-HH M6-1.00 X 50 SS
18	620001	1	HOSE - FUEL 5/16 ID 12.00 LG, EVAP RATED
19	620002	2	HOSE - FUEL 5/16 ID 10.00 LG, EVAP RATED
20	620003	1	HOSE - FUEL 5/16 ID 17.00, EVAP RATED
21	620004	1	HOSE - FUEL 5/16 ID 36.00 LG, EVAP RATED
22	620643	1	MOUNT, FUEL FILTER
23	717024	4	SCR-HH M8-1.25 X 20 ZP GRADE 8.8

EXHAUST GROUP - DIESEL (600671)

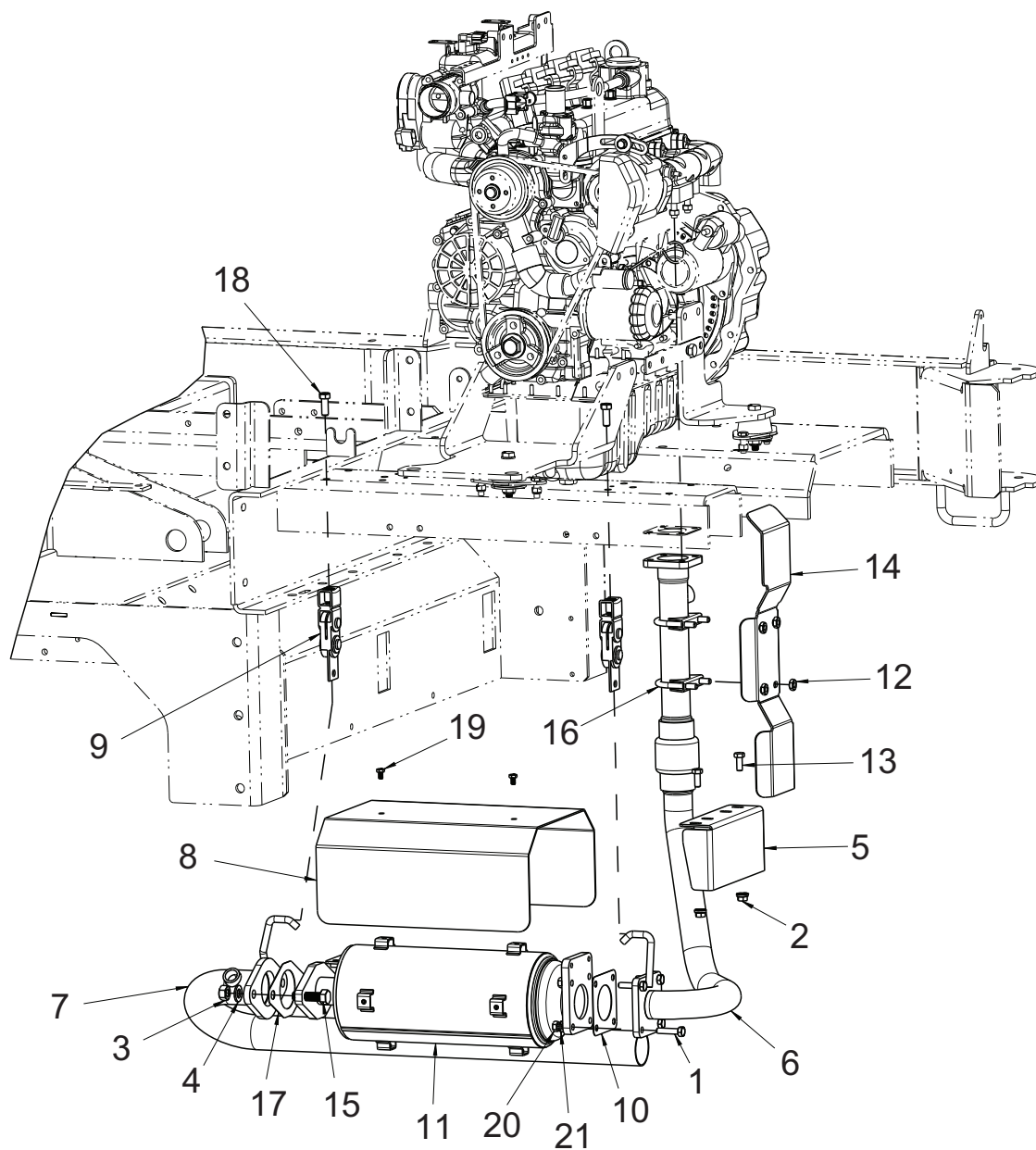


REV C

EXHAUST GROUP - DIESEL (600671)

PARTS LIST - 600671			
ITEM	PART NO.	QTY	DESCRIPTION
1	600497	1	HEAT SHIELD, HI TEMP BLACK
2	600501	1	WELDMENT TAIL PIPE
3	600805-1	2	ASSEMBLY SHIELD MNT
4	600934	4	NUT-FLANGE WIZZ M8-1.25 ZP
5	620271	1	WELDMENT, EXHAUST PIPE DSL, ATLAS
6	620634	1	SHIELD, HEAT
7	620644	1	MUFFLER, KUBOTA V1505
8	620756-3	1	HANGER, EXHAUST W/ FORM
9	620756-4	1	HANGER, EXHAUST W/ FORM
10	711328	4	NUT-HEX 3/8-16 ZP
11	711380	2	NUT-NYLOC 3/8-16 ZP
12	717024	6	SCR-HH M8-1.25 X 20 ZP GRADE 8.8
14	730665	1	HEAT SHIELD ALUM, RAW
15	730666	2	SCR-HH M10-1.50 X 45 ZP CLASS 8.8
16	730667	2	SCR-HH M12-1.75 X 45 ZP CLASS 8.8
17	3301641	4	CLAMP-EXHAUST 1 1/2
19	3333656	2	GASKET-EXHAUST CATYLIST, 2" ID, 2 HOLE
20	713042	2	SCR-HH 3/8-16 X 1.00 ZP GR 5
21	3400384	8	WASHER-CONICAL SPRING 5/16
22	3400385	4	WASHER-CONICAL SPRING 3/8
23	12022067	4	NUT-HEX M10 X 1.5 ZD CLASS 8

SINGLE EXHAUST GROUP GAS & LPG (620698)

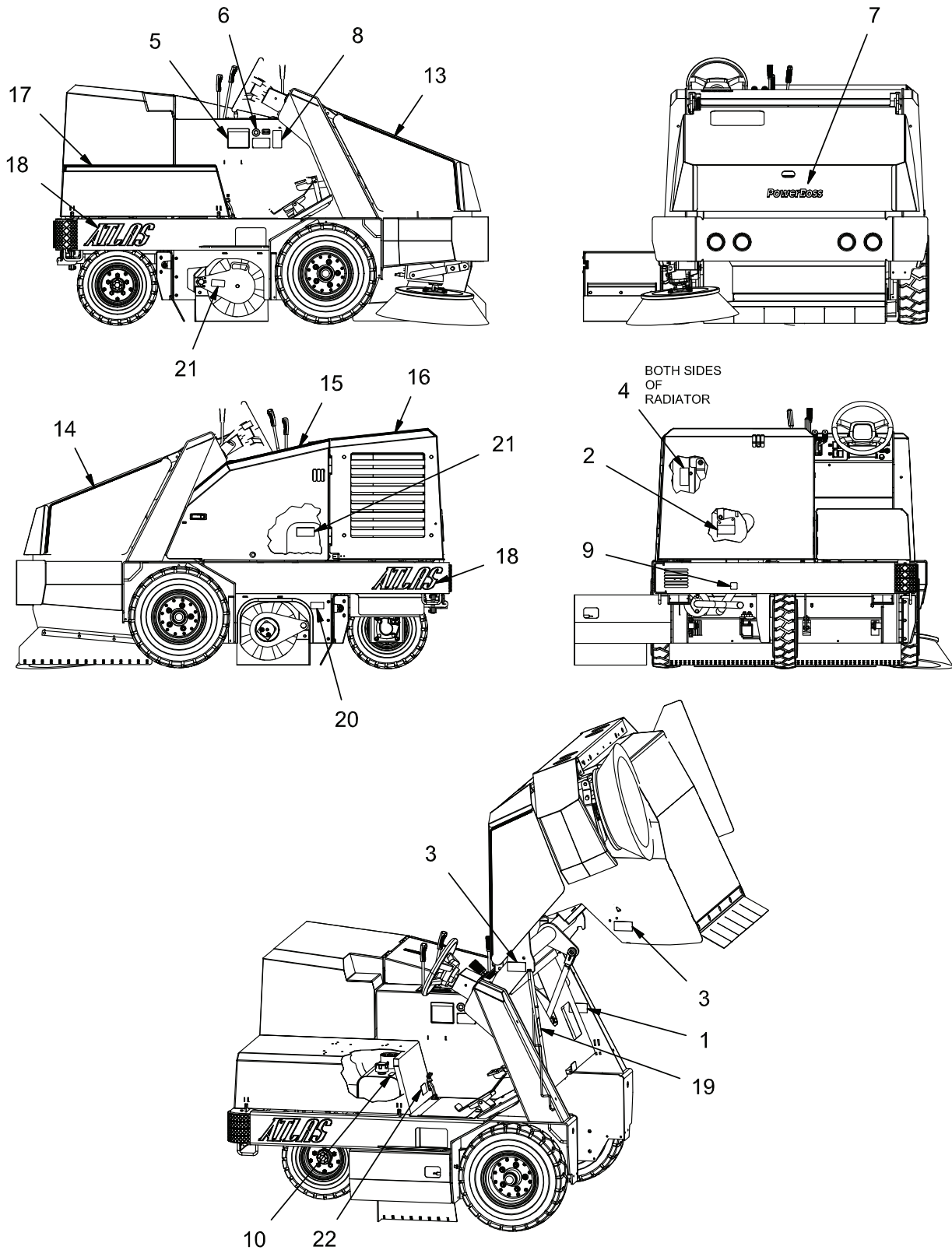


REV C

SINGLE EXHAUST GROUP GAS & LPG (620698)

PARTS LIST - 600698			
ITEM	PART NO.	QTY	DESCRIPTION
1	600918	4	SCR-HH M8-1.25 X 35 ZP CLASS 8.8
2	600934	2	NUT-FLANGE WIZZ M8-1.25 ZP
3	600949	2	NUT-HEX M12-1.75 ZP CLASS 8
4	600950	2	WASHER-FLAT M12 ZP
5	620634	1	SHIELD, HEAT
6	620690	1	WELDMENT, EXHAUST PIPE
7	620691	1	WELDMENT, TAILPIPE
8	620697	1	HEAT SHIELD
9	620756-1	2	HANGER, EXHAUST W/ INSERT
10	690190	1	GASKET, CATALYST, 4 BOLT - 9X LP/GAS
11	690191	1	CATALYTIC CONVERTER, LP-GAS
12	711319	4	NUT-HEX 5/16-18 ZP
13	717024	2	SCR-HH M8-1.25 X 20 ZP GRADE 8.8
14	730665	1	HEAT SHIELD ALUM, RAW
15	730667	2	SCR-HH M12-1.75 X 45 ZP CLASS 8.8
16	3301641	2	CLAMP-EXHAUST 1 1/2
17	3345028	1	GASKET-CAT 1605 INLET
18	713042	2	SCR-HH 3/8-16 X 1.00 ZP GR 5
19	11038056	2	BLT-HH M6 X 1.0 X 10 STL ZD 8.8 DIN 933
20	12022059	4	NUT-HEX M8 X 1.25 STL ZD CL8 DIN 934
21	12310041	4	WASHER-FLAT M8.4 X 16 X 1.6 ZP
22	3400383	2	WASHER-CONICAL SPRING 1/4
23	3400384	6	WASHER-CONICAL SPRING 5/16
24	3400385	2	WASHER-CONICAL SPRING 3/8

DECAL GROUP - DIESEL (600643)

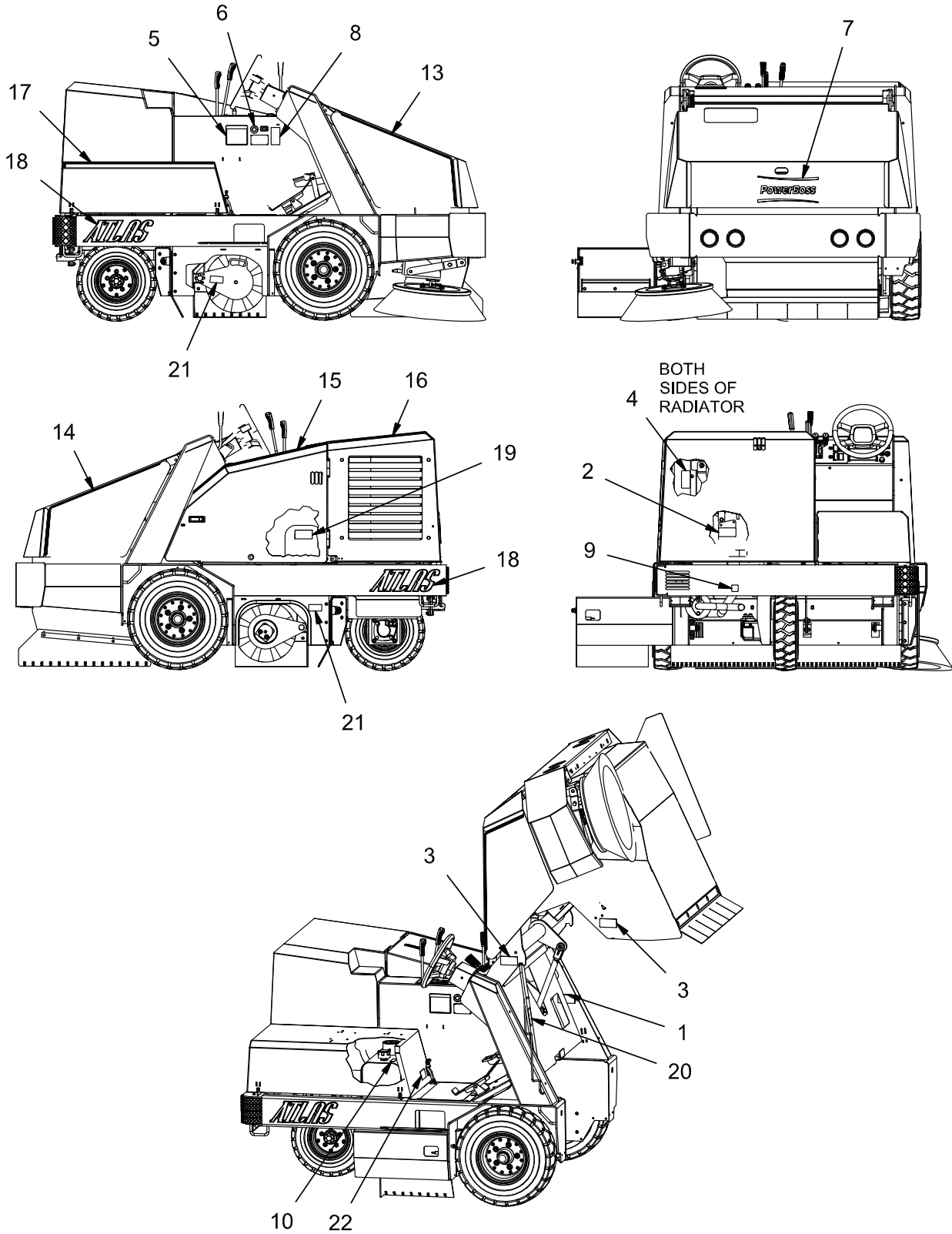


REV B

DECAL GROUP - DIESEL (600643)

Parts List - 600643			
ITEM	PART NO.	QTY	DESCRIPTION
1	3301729	1	DECAL, WARNING, FAN INLET
2	3301730	1	DECAL, WARNING FAN BELT (ENG)
3	3301732	4	DECAL, WARNING, HOPPER (2 PER SIDE)
4	3301733	2	DECAL, WARNING FAN (RAD SHROUD)
5	3301854	1	DECAL, CAUTION
6	3334827	1	DECAL, MADE IN USA
7	651001	1	DECAL, POWERBOSS
8	3342264	1	DECAL, READ MANUAL
9	3342978	1	DECAL, HOT SURFACE
10	715023	1	DECAL, HYDRAULIC OIL
13	715943	1	DECAL, PINSTRIPE, HOPPER, RH
14	715944	1	DECAL, PINSTRIPE, HOPPER, LH
15	715945	1	DECAL, PINSTRIPE, SIDE DOOR
16	715946	1	DECAL, PINSTRIPE, ENG COVER
17	715947	1	DECAL, PINSTRIPE, PUMP COVER
18	715030	2	DECAL, ATLAS
19	715951	1	DECAL, SAFETY ARM
20	715952	2	DECAL, WARNING, ROTATING BROOM
21	715953	1	DECAL, WARNING, DIESEL FUEL
22	715954	1	DECAL, COVER LATCH

DECAL GROUP - GAS (600641)

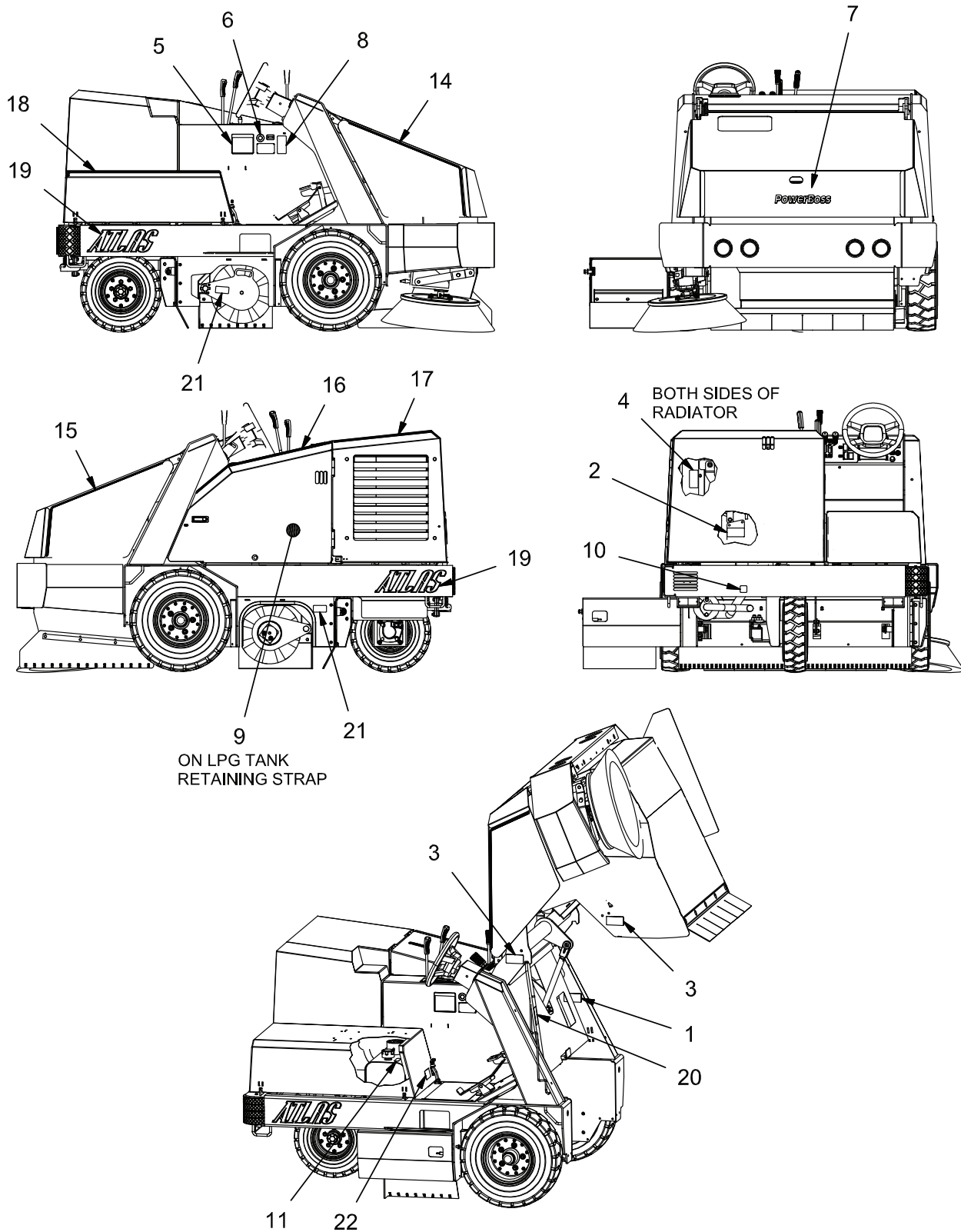


REV B

DECAL GROUP - GAS (600641)

Parts List - 600641			
ITEM	PART NO.	QTY	DESCRIPTION
1	3301729	1	DECAL, WARNING, FAN INLET
2	3301730	1	DECAL, WARNING FAN BELT (ENG)
3	3301732	4	DECAL, WARNING, HOPPER (2 PER SIDE)
4	3301733	2	DECAL, WARNING FAN (RAD SHROUD)
5	3301854	1	DECAL, CAUTION
6	3334827	1	DECAL, MADE IN USA
7	651001	1	DECAL, POWERBOSS
8	3342264	1	DECAL, READ MANUAL
9	3342978	1	DECAL, HOT SURFACE
10	715023	1	DECAL, HYDRAULIC OIL
13	715943	1	DECAL, PINSTRIPE, HOPPER, RH
14	715944	1	DECAL, PINSTRIPE, HOPPER, LH
15	715945	1	DECAL, PINSTRIPE, SIDE DOOR
16	715946	1	DECAL, PINSTRIPE, ENG COVER
17	715947	1	DECAL, PINSTRIPE, PUMP COVER
18	715030	2	DECAL, ATLAS
19	715949	1	DECAL, WARNING, GASOLINE
20	715951	1	DECAL, SAFETY ARM
21	715952	2	DECAL, WARNING, ROTATING BROOM
22	715954	1	DECAL, COVER LATCH

DECAL GROUP - LPG (600642)

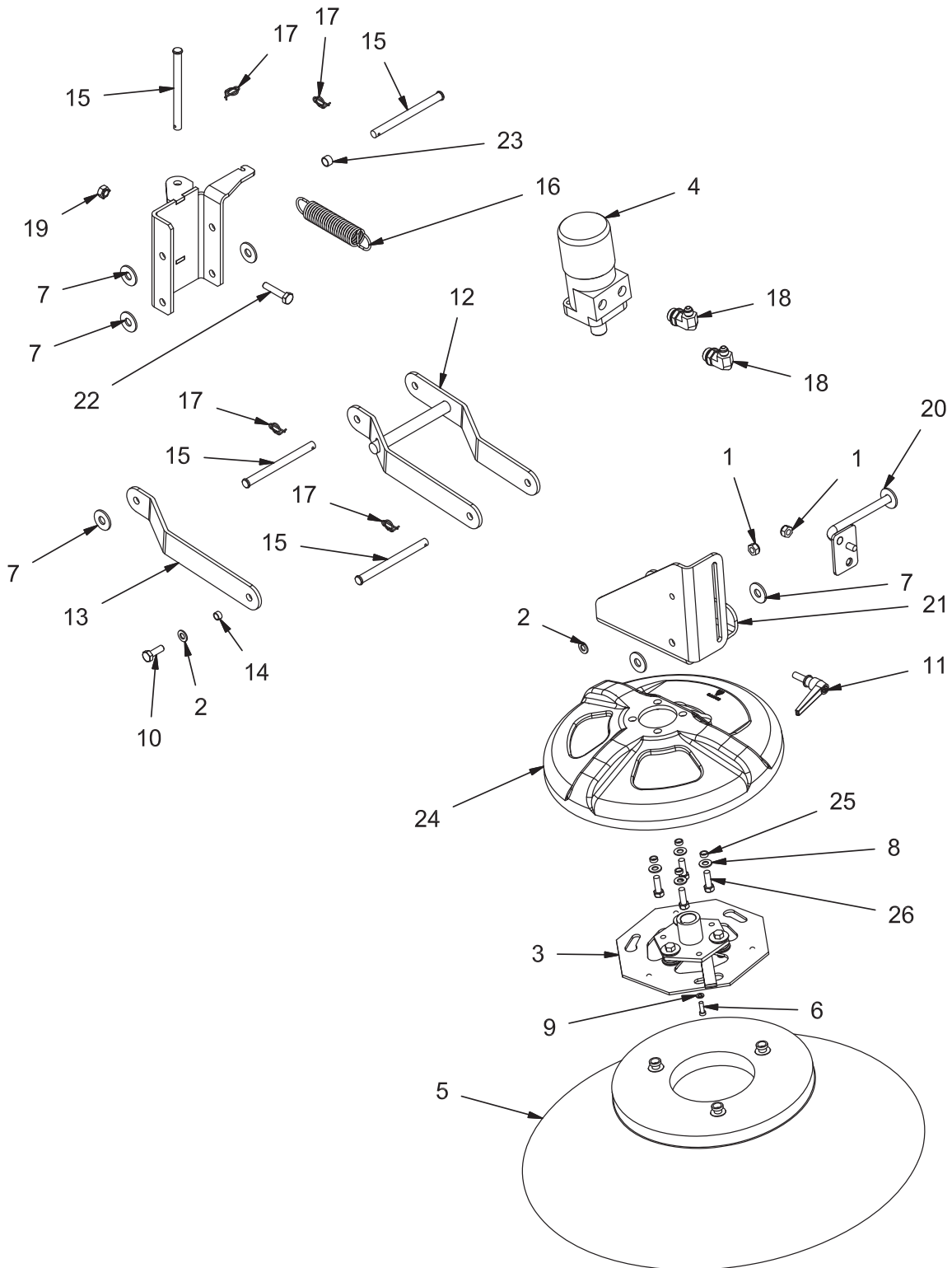


REV B

DECAL GROUP - LPG (600642)

Parts List - 600642			
ITEM	PART NO.	QTY	DESCRIPTION
1	3301729	1	DECAL, WARNING, FAN INLET
2	3301730	1	DECAL, WARNING FAN BELT (ENG)
3	3301732	4	DECAL, WARNING, HOPPER (2 PER SIDE)
4	3301733	2	DECAL, WARNING FAN (RAD SHROUD)
5	3301854	1	DECAL, CAUTION
6	3334827	1	DECAL, MADE IN USA
7	651001	1	DECAL, POWERBOSS
8	3342264	1	DECAL, READ MANUAL
9	3342971	1	DECAL, WARNING, LPG FUEL
10	3342978	1	DECAL, HOT SURFACE
11	715023	1	DECAL, HYDRAULIC OIL
14	715943	1	DECAL, PINSTRIPE, HOPPER, RH
15	715944	1	DECAL, PINSTRIPE, HOPPER, LH
16	715945	1	DECAL, PINSTRIPE, SIDE DOOR
17	715946	1	DECAL, PINSTRIPE, ENG COVER
18	715947	1	DECAL, PINSTRIPE, PUMP COVER
19	715030	2	DECAL, ATLAS
20	715951	1	DECAL, SAFETY ARM
21	715952	2	DECAL, WARNING, ROTATING BROOM
22	715954	1	DECAL, COVER LATCH

DUAL SIDE BROOM (DSB) DSB LH SIDE BROOM GROUP W/ SHROUD DSB (620733)

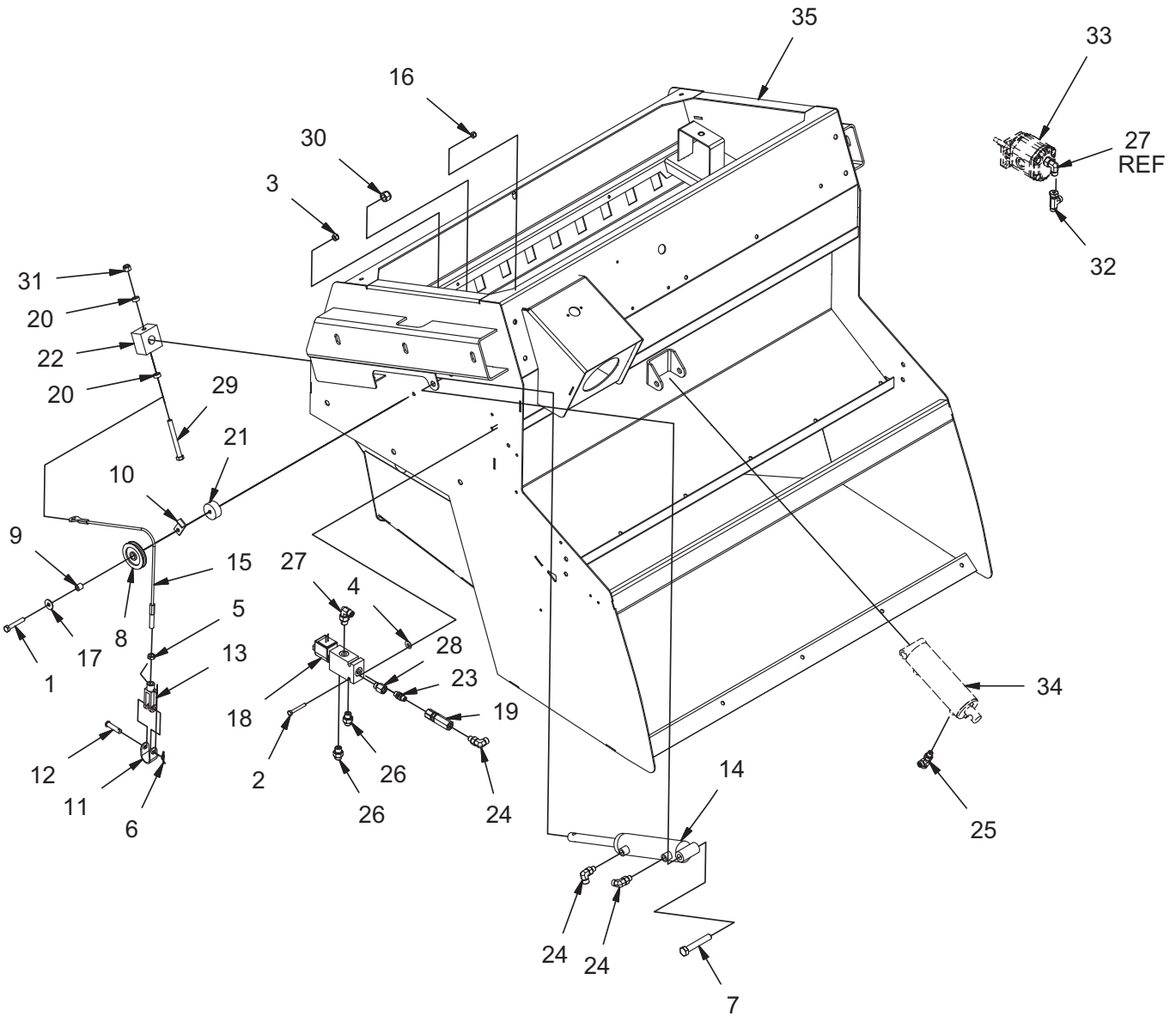


REV B

DSB LH SIDE BROOM GROUP W/ SHROUD DSB (620733)

Parts List - 620733			
ITEM	PART NO.	QTY	DESCRIPTION
1	12040069	2	NUT-NYLOC M10 X 1.5 ZD CLASS 6
2	12310058	3	WASHER-FLAT M10.5 X 20 X 2 ZP
3	3301474	1	ASSY- DRIVE SCRUB BRUSH CB SUB
4	3316897	1	MOTOR-HYD CURB BRM(EXCEPT 62E)
5	3339964	1	BROOM, SIDE 26" POLY
6	3400049	1	SCR-SHCS 1/4-20 X 0.75 BLK OX NYL PATCH
7	3400086	6	WASHER-FLAT 1/2 ZP
8	712301	4	WASHER-FLAT 3/8 ZP
9	711544	1	WASHER-LOCK 1/4 SPLIT ZP
10	730878	1	SCR-HH M10-1.5 X 30 SS
11	600260	1	KNOB LEVER
12	600303	1	WELDMENT SB TRAILING ARM,BLACK
13	600325	1	SB LINK, BLACK
14	600327	1	SPACER 0.406 B 0.50 OD 0.375 T
15	600571	4	PIN CLEVIS 1/2 X 6"
16	600572	1	SPRING EXT .14W 1.25OD 6.5L
17	600578	4	RING-RUE .50 ZP
18	600592	2	FTG-JIC 90 ELBOW -6 JIC -10 ORFS
19	600856	1	WELDMENT SB PIVOT DUAL SB
20	600864	1	WELDMENT ADJ PLT DUAL SB
21	600865	1	SB MOTOR MNT DUAL SB LEFT BLACK
22	600926	1	SCR-HH M10-1.5 X 80 SS FULL THREAD
23	600993	1	SPACER .516 B .625 OD .375 T
24	690773	1	SHROUD, SIDE BROOM
25	690784	4	SPACER- .500 OD, .382 ID, .188 THK, ALU
26	711251	4	SCR-HH 3/8-16 X 1.125 GR 5 ZP
27	717014	1	NUT-HEX M10 X 1.5 ZP

DSB LH SIDE LIFT GROUP (600653-1)

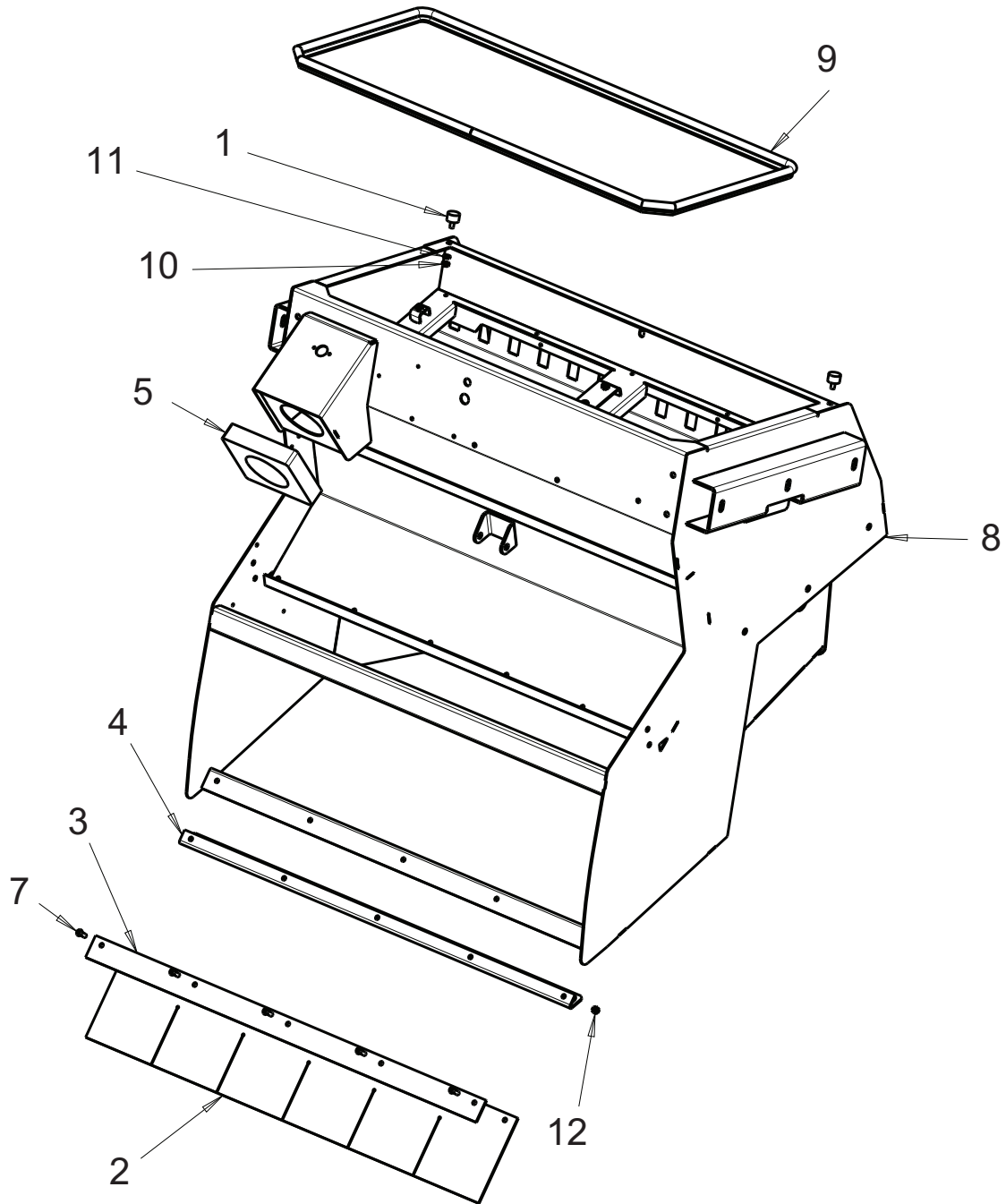


REV B

DSB LH SIDE LIFT GROUP (600653-1)

Parets List - 600653-1			
ITEM	PART #	QTY	DESCRIPTION
1	11038296	1	BLT-HH M8 X 1.25 X 50 STL ZD 8.8 DIN 933
2	11038817	2	BLT-HH M6 X 1.0 X 45 STL ZD 8.8 DIN 933
3	12040051	1	NUT-NYLOC M8 X 1.25 ZP CLASS 8
4	12332011	2	WASHER-FLAT M6.4 X 18 X 1.6 ZP
5	3400075	1	NUT-JAM 3/8-24 ZP
6	3400125	1	RING-RUE 3/8
7	3400405	1	SCR-HH 1/2-13 X 3.00 ZP GR 5
8	600113	1	PULLEY, .50 B 2.00 D .44T
9	600114	1	SPACER, .328 B .498 OD .500 ,SS
10	600115	1	RETAINER, CABLE, ZP
11	600558	1	BRACKET, ZP
12	600573	1	PIN-CLEVIS 3/8 X 1.50 ZP
13	600813	1	CLEVIS 3/8-24
14	600897	1	CYLINDER-LEFT HAND SIDE BROOM
15	600898	1	CABLE 20.69 OAL
16	600933	2	NUT-NYLOC M6-1.00 SS
17	600940	1	WASHER-FENDER M8 X 24 ZP
18	620005-1	1	ASSY, SOLENOID - 2 POS 4 WAY CROSSOVER
19	620008	1	CHECK VALVE
20	620009	2	SPACER .391 B .630 OD .250 T
21	620010	1	SPACER .328 B 1.500 OD .680 T
22	620014	1	BLOCK DUAL SB
23	620110	1	FTG-ORFS STR THD -4 -4 HIGH PRESS
24	675507	3	FTG-ORFS 90 ELBOW -4 -4 SAE
25	675509	1	FTG-ORFS TEE -4 -4 -4 SAE
26	675511	2	FTG-ORFS STR THD -4 -6 SAE
27	675546	1	FTG-ORFS 90 ELBOW -4 -6 SAE
28	675745	1	FTG - PORT ADAPTER -6 ORMS -4 ORFS
29	711280	1	SCR-HH 3/8-16 X 3.50 ZP GR 5
30	711376	1	NUT-NYLOC 1/2-13 ZP
31	711380	1	NUT-NYLOC 3/8-16 ZP
32	REFERENCE	1	FITTING, RUN TEE, 4 ORFS-4 SAE
33	REFERENCE	1	MOTOR-HYD, CW ROT, IMPELLER
34	REFERENCE	1	CYLINDER, HOPPER DOOR
35	REFERENCE	1	DUAL SIDE BROOM HOPPER

DSB HOPPER SKIRTS SEALS GROUP (600701)

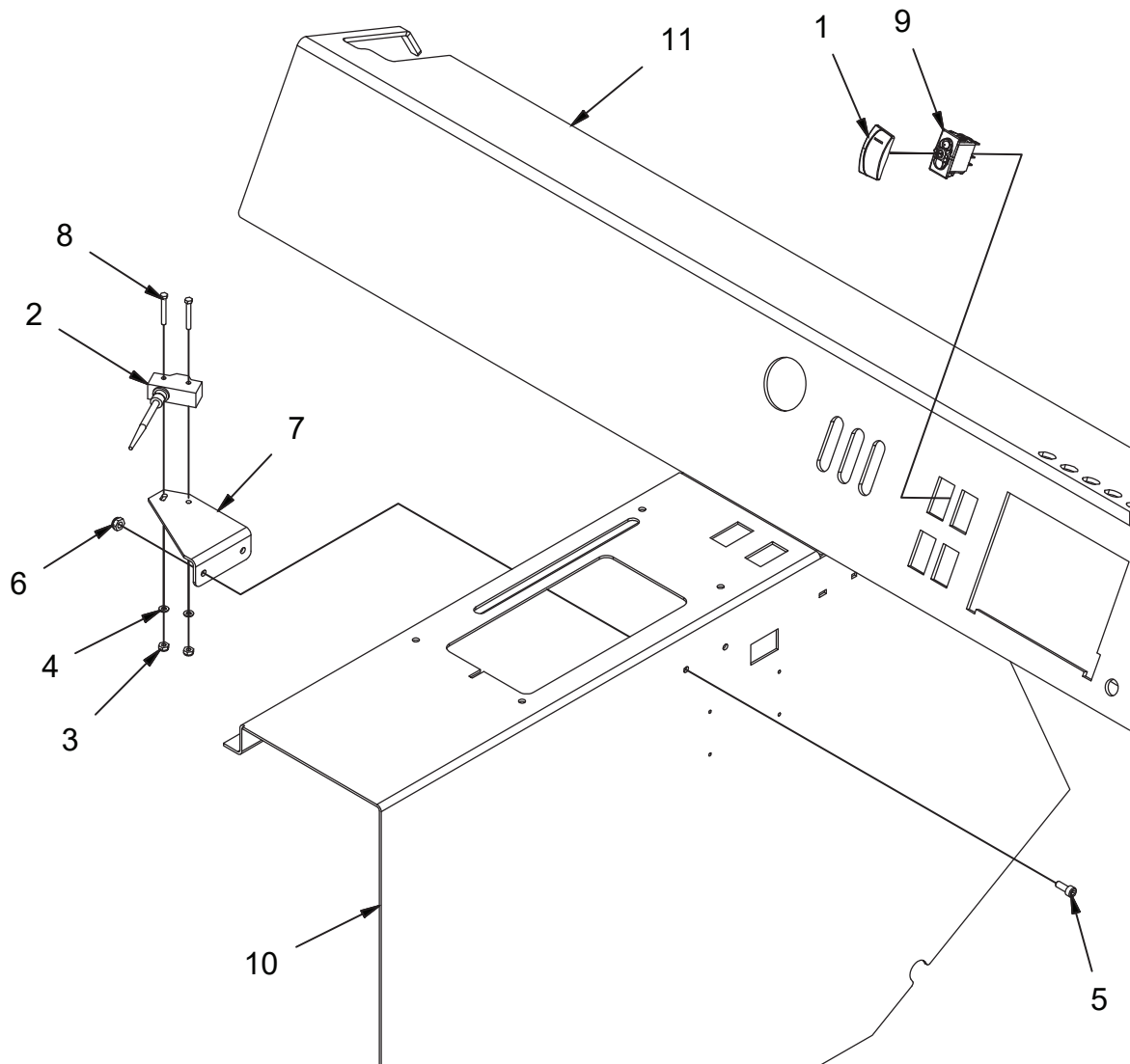


REV B

DSB HOPPER SKIRT SEALS GROUP (600701)

Parts List - 600701			
ITEM	PART No.	QTY	DESCRIPTION
1	600220	2	BUMPER 1.00X0.625T
2	600230	1	SKIRT HOPPER LIP
3	600345	1	RETAINER HOPPER FLAP,ZP
4	600346	1	ANGLE HOPPER LIP,ZP
5	600521	1	SEAL, HOPPER EXHAUST
7	600917	5	SCR-BHSCS M8-1.25 X 25 SS
8	620264-1	1	ASSEMBLY, HOPPER, DUAL FILTER, DUAL SB
9	620290	1	EDG HOP CVR (113.50")
	601003	9.5 ft	TUBE, FOAM, 7/16 OD X 1/4 ID EPDM
10	3400070	2	NUT-HEX 5/16-18 ZP GR 5
11	711545	2	WASHER-LOCK 5/16 SPLIT ZP
12	12040259	2	NUT-NYLOC M8 X 1.25 SS

DSB SWITCH GROUP (600655)

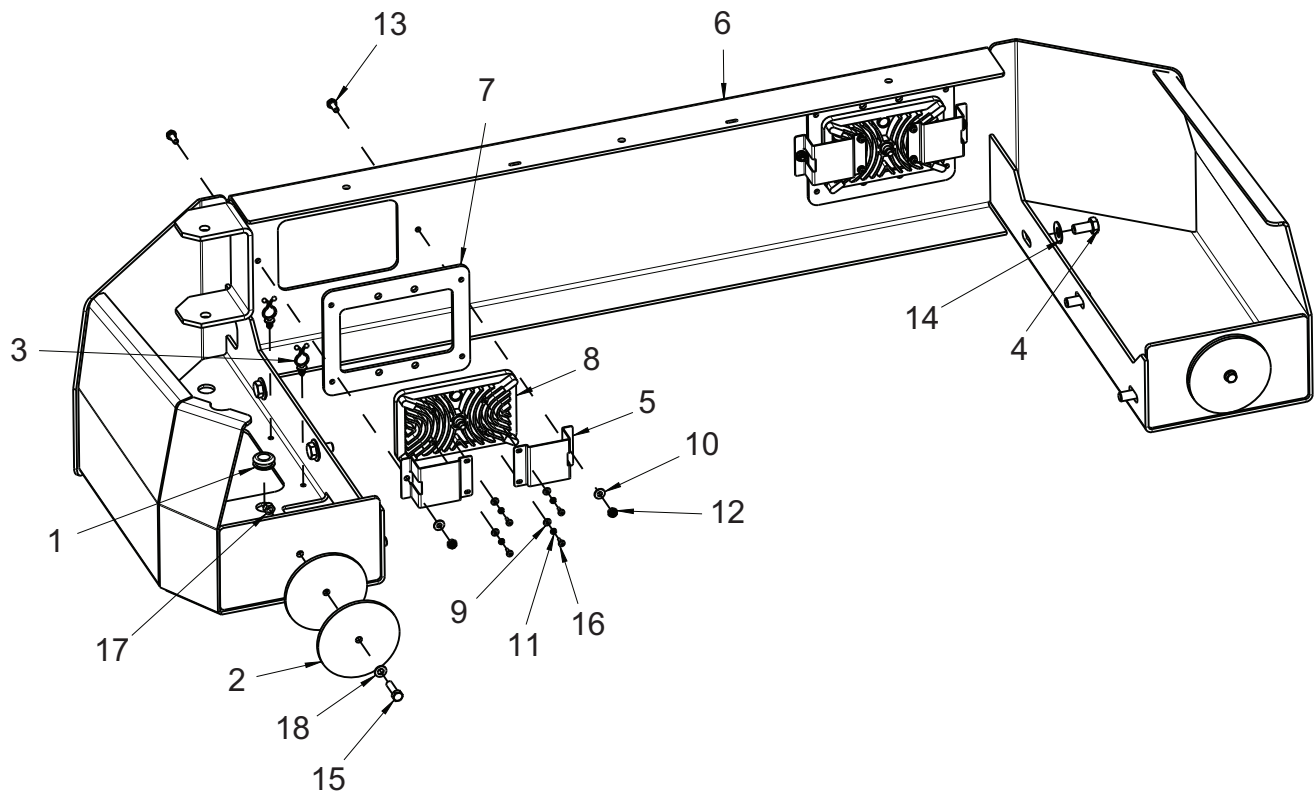


REV B

DSB SWITCH GROUP (600655)

Parts List - 600655			
ITEM	PART NO.	QTY	DESCRIPTION
1	3342273	1	SWITCH COVER - BLACK, CLEAR LENS
2	3342546	1	SWITCH, WHISKER
3	711372	2	NUT, FIBER INSERT #8-32
4	711502	2	FLATWASHER, #8
5	600912	2	BOLT, M6-1.00 X 16 AHCS
6	600933	2	NUT, M6-1.00 ESN SS
7	620124	1	BRACKET, SB SWITCH
8	620136	2	BOLT, #8-32 X 1.25 HH ZP
9	620137	1	SWITCH BODY, DPST W/GREEN LAMP
10	REFERENCE	1	CONSOLE
11	REFERENCE	1	FRAME
-	748722	1	DSB HARNESS #1
-	748723	1	DSB HARNESS #2

DSB BUMPER GROUP (600645)

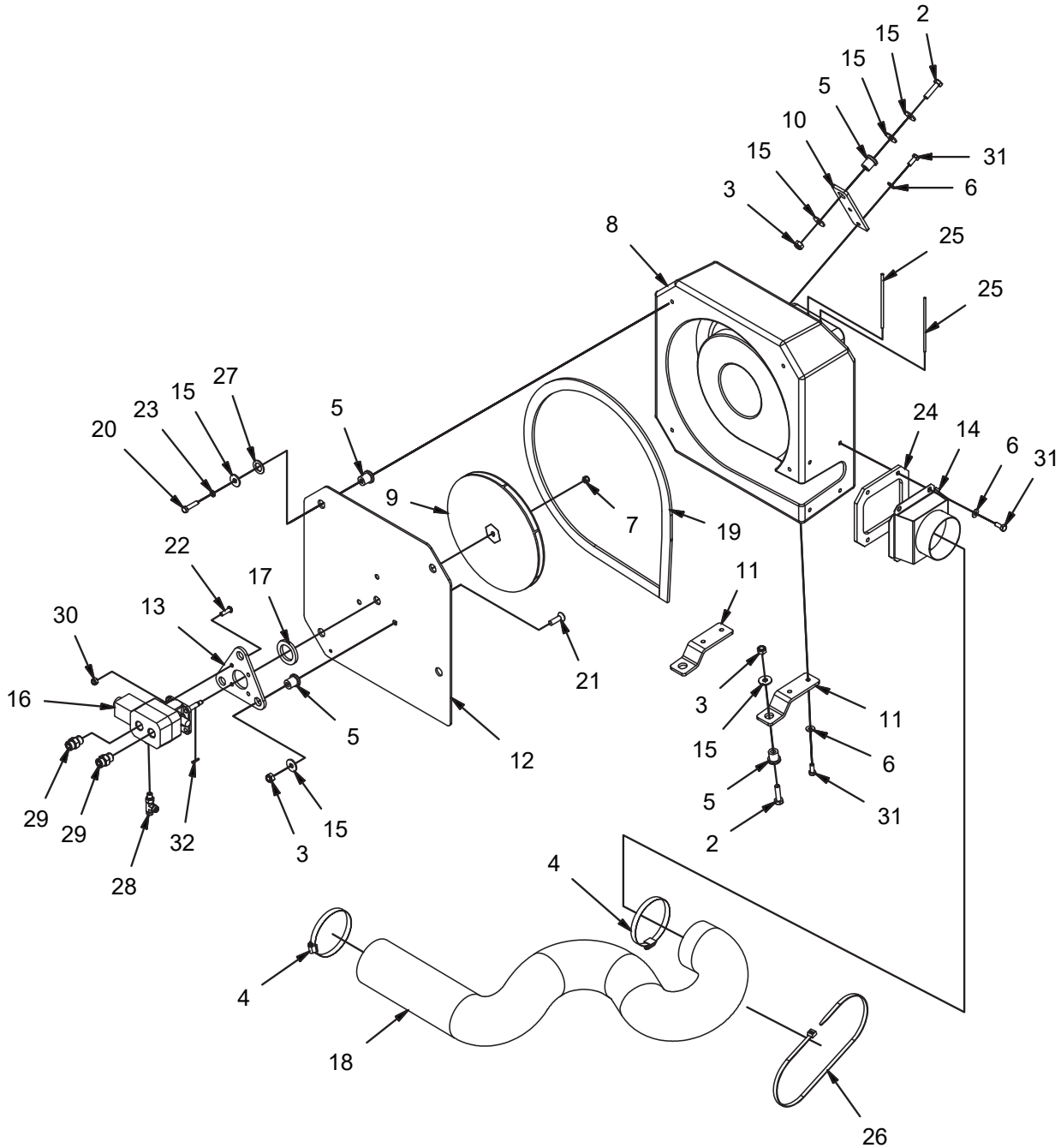


REV E

DSB BUMPER GROUP (600645)

Parts List - 600645			
ITEM	PART NO.	QTY	DESCRIPTION
1	600151	1	GROMMET, .63 ID .88 OD .25 T
2	600226	4	BUMPER
3	600581	2	CLAMP WIRE CLIP, PURSE-LOCK .625
4	600956	6	SCR-HH M12-1.75 X 25 ZP CLASS 8.8
5	620310	4	BRKT, HEADLIGHT RETAINING
6	620322	1	BUMPER, ATLAS, FRONT, DUAL SIDE BROOM
7	690953	2	GASKET, HEADLIGHT MOUNT - 4 X 6
8	691001-1	2	HEADLIGHT ASSY, 4X6 LED WITH DRL
9	711502	8	WASHER-FLAT #8 ZP
10	711504	4	WASHER-FLAT 1/4 SS
11	711542	8	WASHER-LOCK #8 SPLIT ZP
12	711688	4	NUT-JAM 1/4-20 NYLOC SS
13	713001	4	SCR-HH 1/4-20 X .62 GR 5 ZP
14	3400387	6	WASHER-CONICAL SPRING 1/2
15	11038254	2	SCR-HH M8-1.25 X 30 ZP CLASS 8.8
16	11175395	8	SCR-MC PAN HD M4 X 0.7 X 10 304SSDIN7985
17	12040051	2	NUT-NYLOC M8 X 1.25 ZP CLASS 8
18	12310041	2	WASHER-FLAT M8.4 X 16 X 1.6 ZP

DSB IMPELLER GROUP (600656-1) BEFORE SERIAL NUMBER 23PB1595

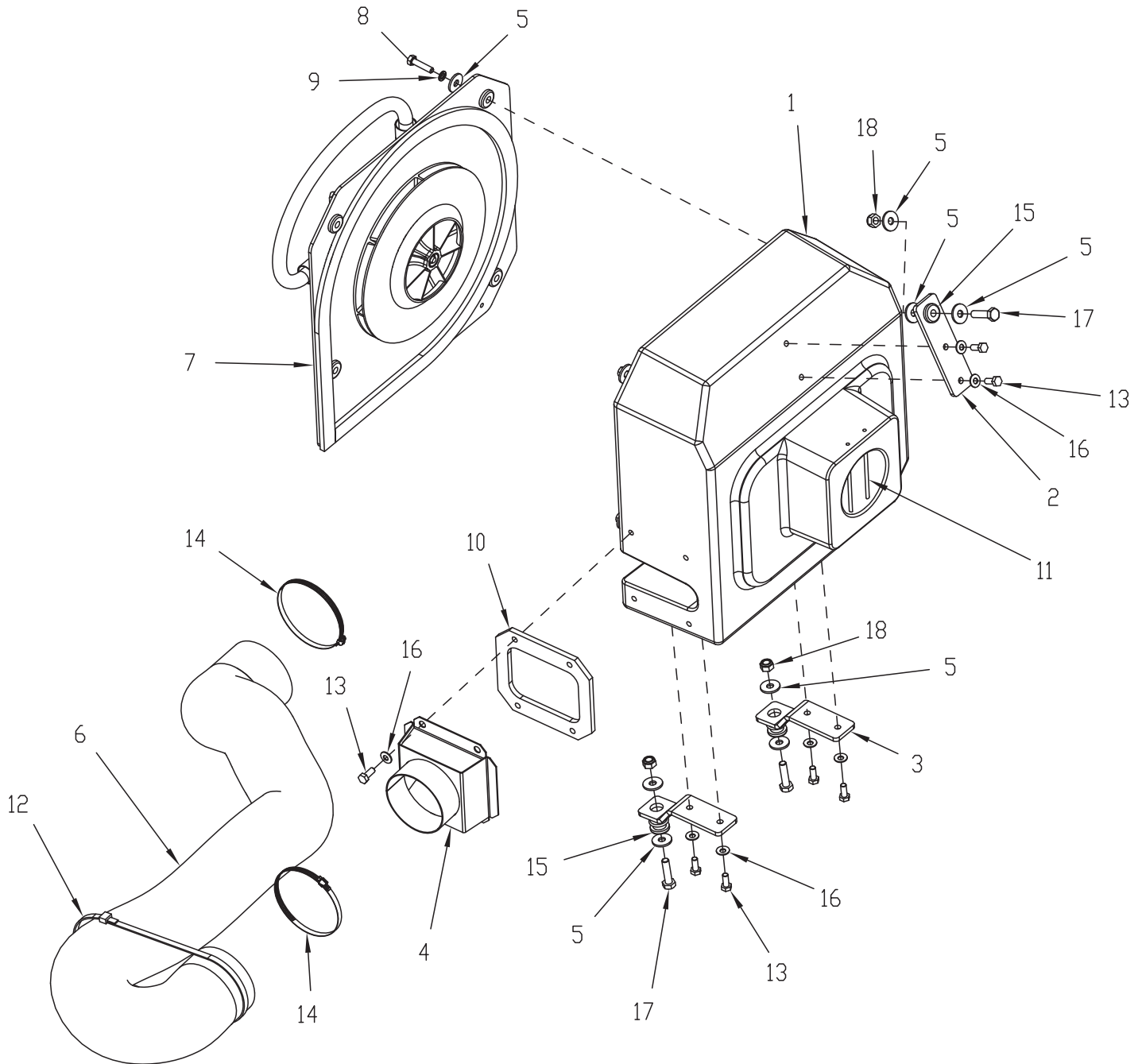


REV A

DSB IMPELLER GROUP (600656-1)

Parts List - 600656-1			
ITEM	PART NO.	QTY	DESCRIPTION
1	000710	-	ADHESIVE 3M #847 (USED ON 600903)
2	11038395	3	BOLT, M10-1.50 X 40 HH
3	12040069	6	NUT, M10-1.50 ESN
4	3300351	2	CLAMP, HOSE, 4.50
5	3300465	10	ISOLATOR, VIB
6	3400384	10	WASHER, 5/16 BELLEVILLE
7	3400420	1	NUT, 5/16-24 ESN
8	600100	1	SHROUD, IMPELLER
9	600101	1	ASSY, IMPELLER
10	600202	1	BRACKET, SHROUD, UPPER
11	600203	2	BRACKET, SHROUD, LOWER
12	600204	1	PLATE, SHROUD
13	600205	1	PLATE, MOTOR MNT
14	600206	1	WELDMENT, DIFFUSER
15	600363	12	WASHER, ISOLATOR
16	600366	1	MOTOR, IMPELLER
17	600469	1	SEAL, DUST
18	600574	1	HOSE, 4.00 IMPELLER
19	600903	1	SEAL, IMPELLER
20	600918	4	BOLT, M8-125 X 35 HH
21	710028	3	SCREW, M10-1.50 X 40 SLOTTED FHMS
22	600958	4	BOLT, 5/16-18 X 1.00 BUTTON HD CAP
23	600959	4	LOCK WASHER, M8
24	620028	1	GASKET, OUTLET
25	620031	2	ROD, GUARD
26	620037	1	CABLE TIE, .35 X 34
27	66-431-A	4	WASHER, .77 B 1.25 OD .075 T
28	675509	1	FITTING, RUN TEE -4 ORFS TO -4 SAE
29	675524	2	FITTING, STR, -8 ORFS - 8 SAE
30	711374	4	NUT, FIBER INSERT 5/16-18
31	717024	10	BOLT, M8-1.25 X 20 HH
32	PART OF 600366	1	KEY, .125 SQ X .75

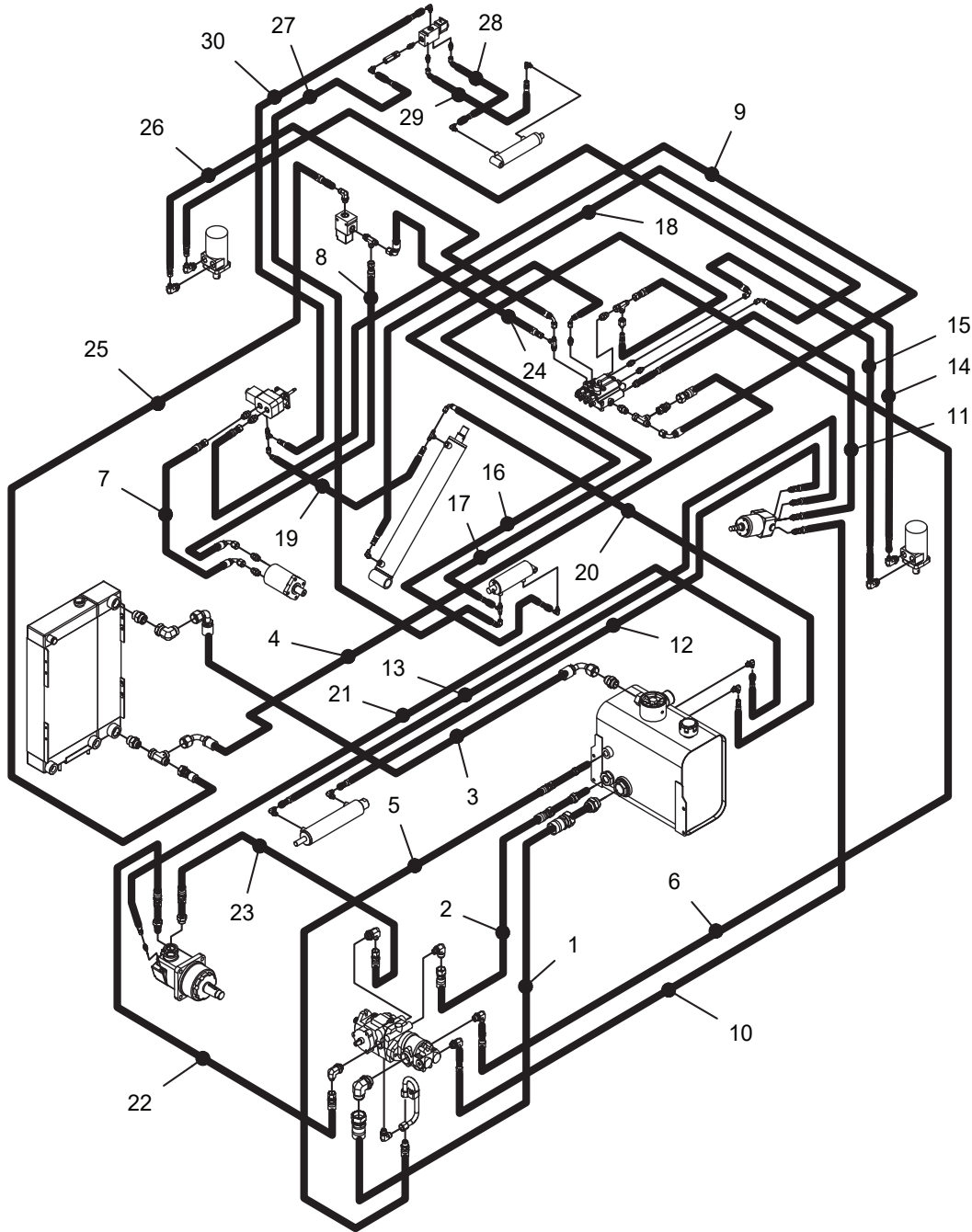
DSB IMPELLER GROUP (600664-2) SERIAL NUMBER 23PB1595 AND AFTER



DSB IMPELLER GROUP (600664-2)

Parts List - 600664-2			
ITEM	PART NO.	QTY	DESCRIPTION
1	600100	1	IMPELLER SHROUD
2	600202	1	BRACKET SHROUD UPPER,BLACK
3	600203	2	BRACKET SHROUD LOWER,BLACK
4	600206	1	WELDMENT DIFFUSER, BLACK
5	600363	11	WASHER-FLAT .39 X 1.12 X .1 ZP
6	600574	1	HOSE 4.00 IMPELLER
7	600664	1	PLATE ASSY, MOTOR W/ IMPELLER
8	600918	4	SCR-HH M8-1.25 X 35 ZP CLASS 8.8
9	600959	4	WASHER-LOCK M8 ZINC SPLIT
10	620028	1	GASKET, OUTLET
11	620031	2	ROD GUARD
12	620037	1	CABLE TIE, .35 X 34"
13	717024	10	SCR-HH M8-1.25 X 20 ZP GRADE 8.8
14	3300351	2	CLAMP - SCREW 3" to 5" DIA 201SS
15	3300465	3	ISOLATOR-RUBBER (.375ID X .81OD)
16	3400384	10	WASHER-CONICAL SPRING 5/16
17	11038395	3	SCR-HH M10-1.5 X 40 ZP CLASS 8.8
18	12040069	3	NUT-NYLOC M10 X 1.5 ZD CLASS 6
***	675549	1	FTG-ORFS TEE SWIVEL NUT -4 -4 -4 SAE (NOT SHOWN)

DSB HYDRAULIC HOSE GROUP (600652-1)

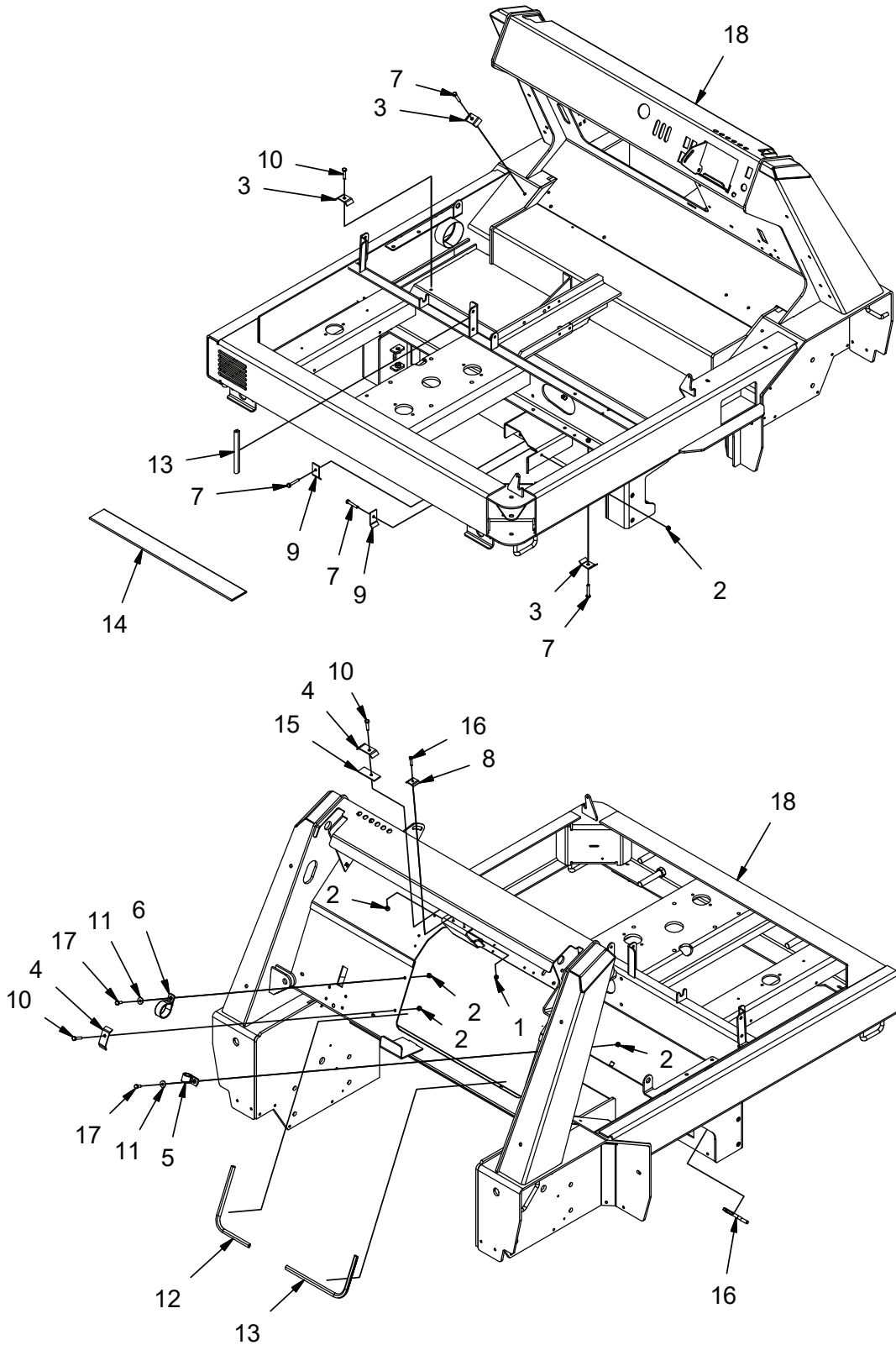


REV *

DSB HYDRAULIC HOSE GROUP (600652-1)

PARTS LIST			
ITEM	PART #	QTY	DESCRIPTION
1	600968-1	1	HOSE, 20 STR - 20 STR SUC (RES TO AUX)
2	600969-1	1	HOSE, 12 STR - 12 STR SUC (RES TO CASE)
3	620084-1	1	HOSE, 16 90 - 16 90 RET (COOLER TO RES)
4	600971-1	1	HOSE, 12 STR - 12 90 RET (VALVE TO COOLER)
5	600972-1	1	HOSE, 10 STR - 10 STR MALE RET (CASE TO RES)
6	600973-1	1	HOSE, 8 STR - 8 STR MED (AUX TO VALVE)
7	600974-1	1	HOSE, 8 STR - 8 90 MED (MB TO IMP)
8	600975-1	1	HOSE, 8 STR - 8 90 MED (MB SOL TO MB)
9	600977-1	1	HOSE, 8-STR - 10 90 MED (IMP TO VALVE RET)
10	600978-1	1	HOSE, 6 STR - 6 STR MED (AUX TO STR PRESS)
11	600979-1	1	HOSE, 6 STR - 6 STR MED (STR TO VALVE RET)
12	600980-1	1	HOSE, 6 STR - 6 STR MED (STR TO CYL F)
13	600981-1	1	HOSE, 6 STR - 6 STR MED (STR TO CYL R)
14	620126-1	1	HOSE, 6 STR - 6 STR MED (RH SB TO LH SB)
15	600983-1	1	HOSE, 6 STR - 6 90 MED (VALVE TO RH SB)
16	600984-1	1	HOSE, 4 STR - 4 90 MED (VALVE TO DOOR CYL)
17	600985-1	1	HOSE, 4 STR - 4 STR MED (VALVE TO DOOR CYL R)
18	600986-1	1	HOSE, 4 STR - 4 90 MED (VALVE TO LIFT CYL L)
19	600987-1	1	HOSE, 4 STR - 4 90 RET (IMP TO LIFT CYL U)
20	600988-1	1	HOSE, 4 STR - 4 STR RET (LIFT CYL U TO RES)
21	600989-1	1	HOSE, 4 STR - 4 STR RET (WM CASE TO RES)
22	600990-1	1	HOSE, 10 STR - 10 STR SPCL (VDP R TO WM R)
23	600991-1	1	HOSE, 10 STR - 10 STR SPCL (VDP F TO WM L)
24	620121-1	1	HOSE, 6 STR - 8 90 MED (VALVE OUT TO MB SOLENOID)
25	620122-1	1	HOSE, 8 STR - 12 STR MED (MB SOLENOID TO COOLER)
26	620125-1	1	HOSE, 6 STR - 6 90 MED (LHSB TO MB THRU VALVE)
27	620127-1	1	HOSE, 4 STR - 4 90 MED (DOOR CYL R TO SB SOL PRESS)
28	620128-1	1	HOSE, 4 STR - 4 45 MED (SB SOL TO SB CYL R)
29	620129-1	1	HOSE, 4 STR - 4 45 MED (SB SOL TO SB CYL F)
30	620130-1	1	HOSE, 4 STR - 4 STR MED (SB SOL TO IMP CASE)

DSB HOSE CLAMP GROUP 1 (600647)

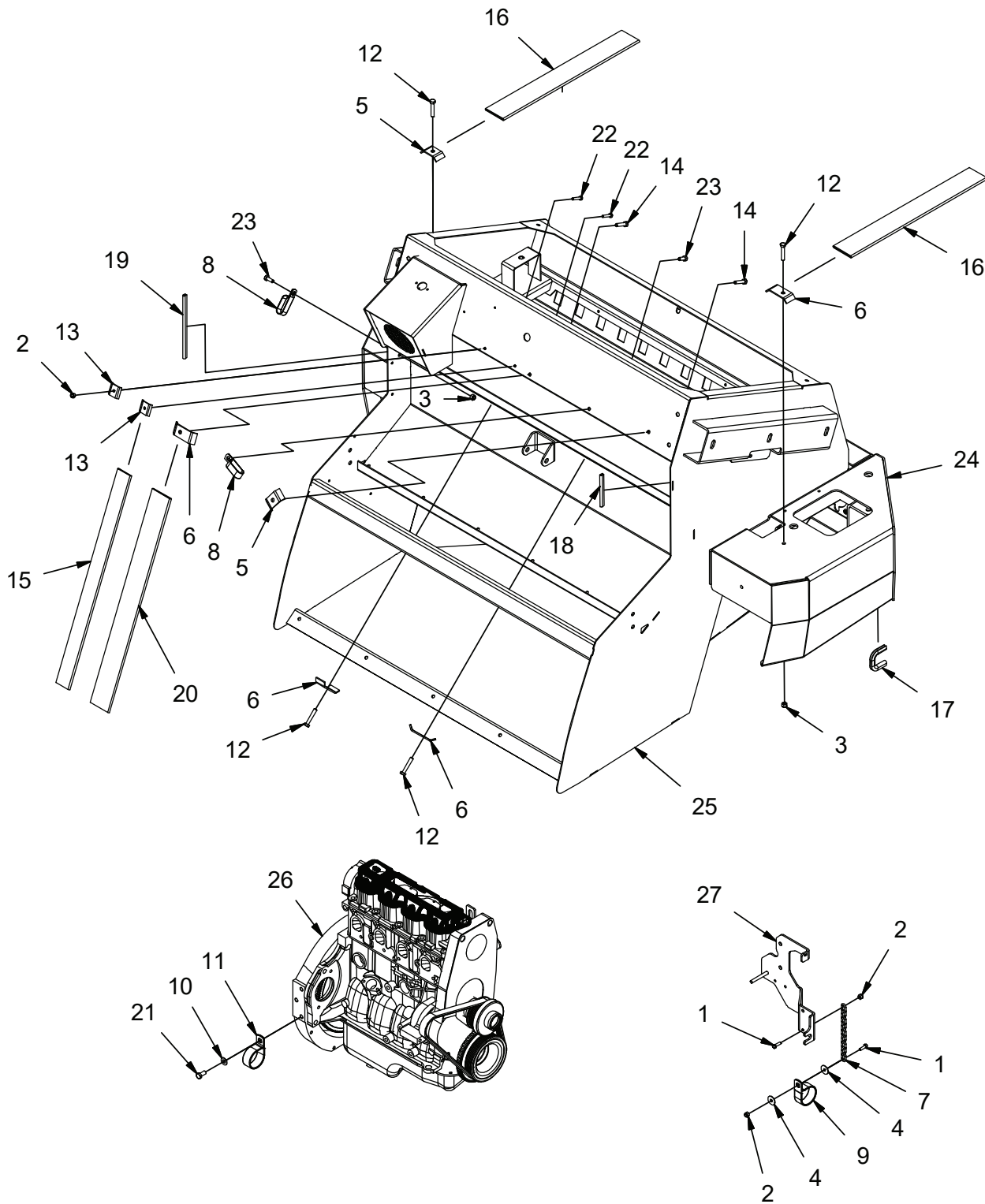


REV *

DSB HOSE CLAMP GROUP 1 (600647)

Parts List - 600647			
ITEM	PART NO.	QTY	DESCRIPTION
1	12040044	1	NUT, M6-1.00 ESN
2	12040051	9	NUT, M8-1.25 ESN
3	3301437	3	RETAINER, HOSE, SYM, 8
4	3305398	2	RETAINER, HOSE, OFFSET, 8
5	3400999	1	CLAMP, HOSE
6	3402005	1	CLAMP, 2"
7	600820	4	BOLT, M8-1.25 X 45 HH
8	600822	1	RETAINER, HOSE, SYM, 6
9	600823	2	RETAINER, HOSE, OFFSET, 8
10	600918	3	BOLT, M8-1.25 X 35 HH
11	600940	2	WASHER, M8 FENDER
12	620038	2	EDGING, 3/16 X 15.0"
13	620040	1	EDGING, 5/16 X 7.0"
14	620043	1	SLEEVE, AS-B-33 X 28.0"
15	620123	1	BAR, HOSE RETAINER
16	717021	1	BOLT, M6-1.00 X 30 HH
17	717024	2	BOLT, M8-1.25 X 20 HH
18	REFERENCE	1	FRAME

DSB HOSE CLAMP GROUP 2 (600649)



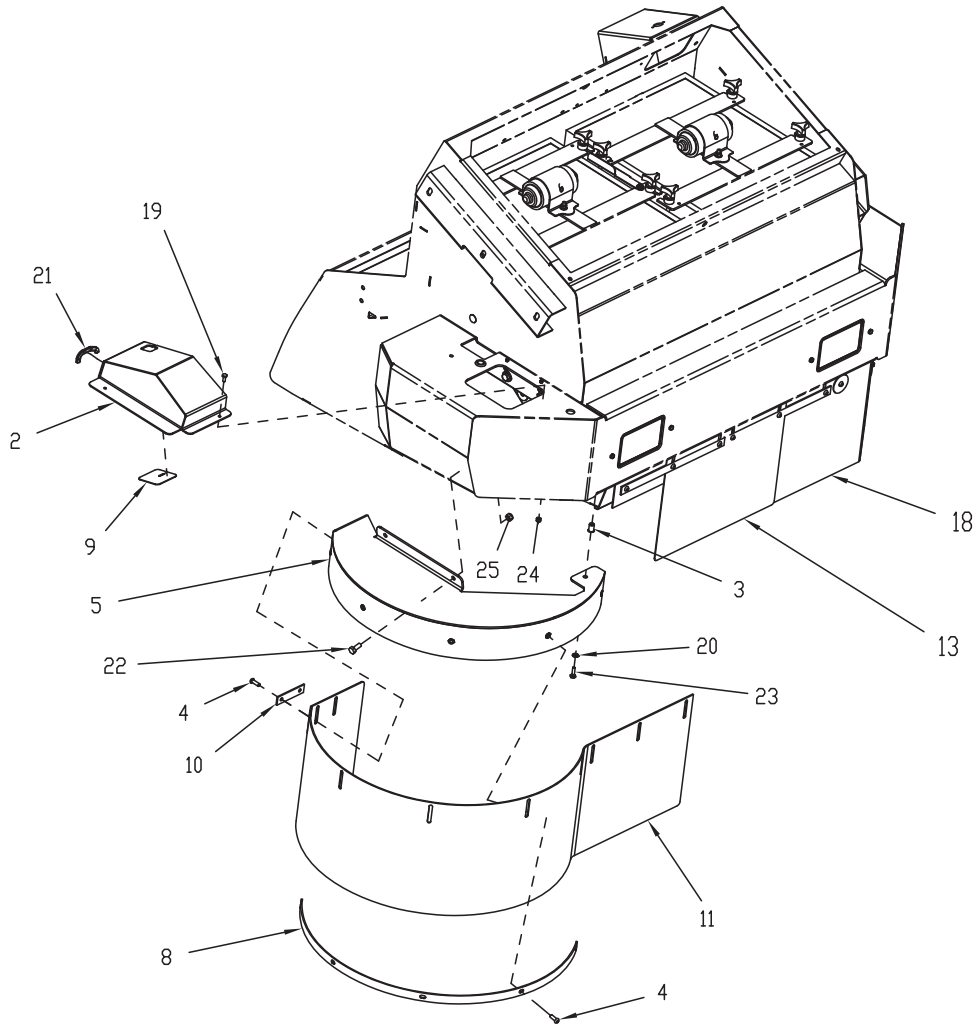
REV *

DSB HOSE CLAMP GROUP 2 (600649)

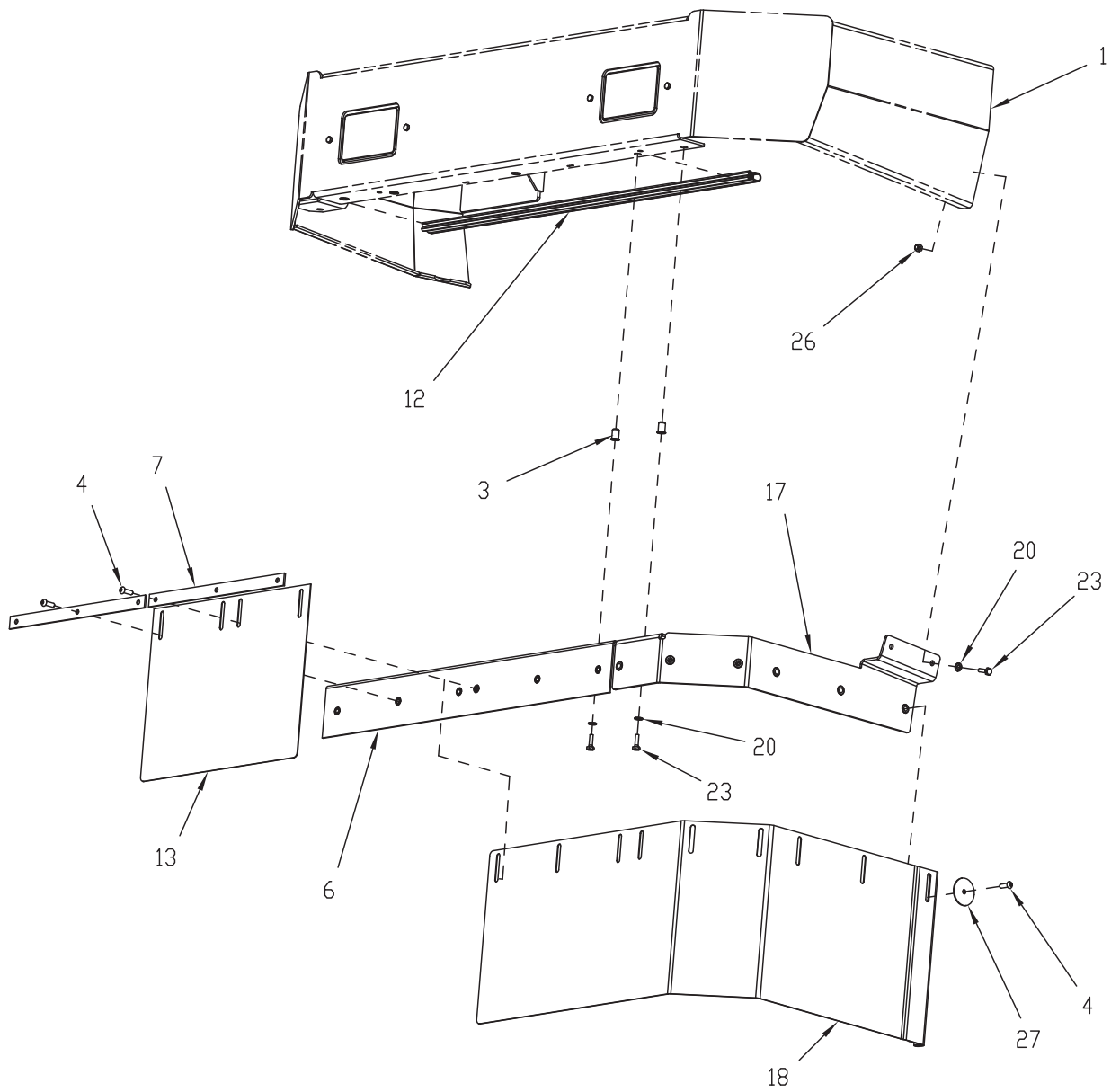
Parts List - 600649			
ITEM	PART NO.	QTY	DESCRIPTION
1	11038098	2	BOLT, M6-100 X 20 HH
2	12040044	4	NUT, M6-1.00 ESN
3	12040051	6	NUT, M8-1.25 ESN
4	12347027	2	WASHER, M6 FENDER
5	3301437	2	RETAINER, HOSE, SYM, 8
6	3305398	4	RETAINER, HOSE, OFFSET, 8
7	3307658	1	CHAIN, GROUND
8	3335599	2	CLAMP, HOSE
9	3343539	1	CLAMP, 2"
10	3400385	1	WASHER, 3/8. BELLEVILLE
11	3402005	1	CLAMP, 2"
12	600820	4	BOLT, M8-1.25 X 45 HH
13	600822	2	RETAINER, HOSE, SYM, 6
14	600918	2	BOLT, M8-125 X 35 HH
15	620041	1	SLEEVE, AS-B-17 X 24.5"
16	620042	2	SLEEVE, AS-B-27 X 20.0"
17	620046	1	EDGING, 3/16 X 4.75"
18	620120	1	EDGING, 4"
19	620138	1	EDGING, 8"
20	620139	1	SLEEVE, AS-B-27 X 24.5"
21	713041	1	SCREW, 3/8-16 X .750 HHC
22	717021	2	BOLT, M6-100 X 30 HH
23	717024	2	BOLT, M8-1.25 X 20 HH
24	REFERENCE	1	DUAL SIDE BROOM BUMPER
25	REFERENCE	1	DUAL SIDE BROOM HOPPER
26	REFERENCE	1	ENGINE
27	REFERENCE	1	CAM MOUNT

OPTIONS - PARTS BREAKDOWN

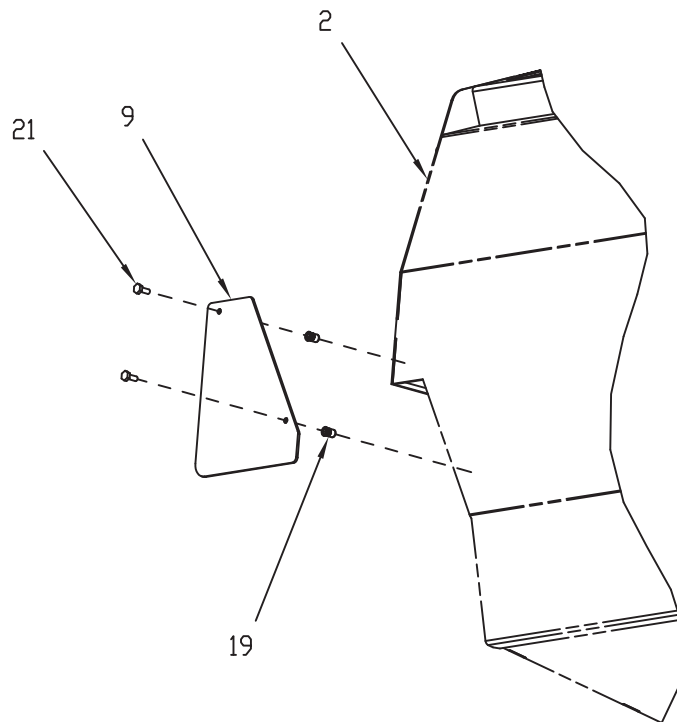
OPTION - VACUUMIZED SIDE BROOM GROUP (600003)



REV A



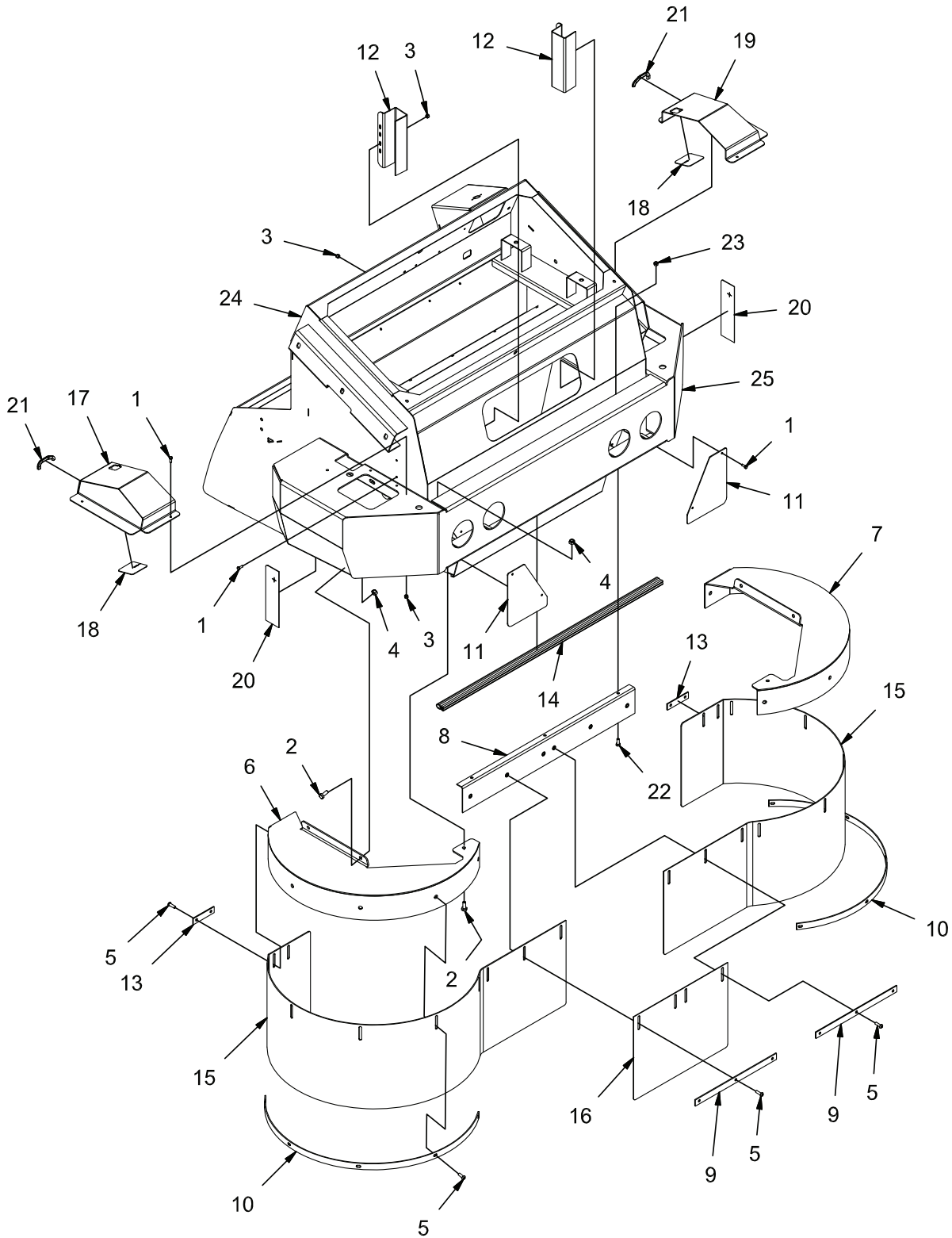
OPTION - VACUUMIZED SIDE BROOM GROUP - (CONT'D)



OPTION - VACUUMIZED SIDE BROOM GROUP - (CONT'D)

Parts List - 600003			
ITEM	PART NO.	QTY	DESCRIPTION
1	REFERENCE	1	BUMPER GROUP
2	REFERENCE	1	FILTER/SHAKER HOPPER GROUP
3	600852	5	INSERT-M8-1.25 .188 GRIP ZP
4	600917	19	SCR-BHSCS M8-1.25 X 25 SS
5	620016-1	1	ASSEMBLY, RH VAC SB COVER
6	620021-1	1	ASSEMBLY, BUMPER SKIRT MNT
7	620023	2	STRAP BUMPER SKIRT
8	620024	1	STRAP SIDE SKIRT ZP
9	620047	1	PLATE AIR DAM
10	620049	1	STRAP SHORT
11	620051	1	SKIRT VAC SB
12	620053	1	SEAL VAC BUMPER
13	620101	1	SKIRT, FRONT VAC
14	620102	1	WELDMENT, VAC SB HOSE COVER
15	620105	1	SEAL, CABLE
16	620119	1	EDGING
17	620324-1	1	ASSEMBLY, LH SKIRT SUPPORT
18	620325	1	SKIRT, BUMPER (LH)
19	730535	2	INSERT-M6-1.00, .7 - 4.2 GRIP
20	730609	7	WASHER-FLAT M8 SS
21	11038072	4	BLT-HH M6-1.0 x 16 STL ZINC
22	11038346	2	BLT-HH M10 X 1.5 X 25 STL ZD 8.8 ISO4017
23	11039567	7	BLT-HH M8 X 25 SS DIN933
24	12040044	2	NUT-NYLOC M6 X 1.0 ZP CLASS 6
25	12040069	2	NUT-HEX NYLOC M10 Z DICH
26	12040259	2	NUT-NYLOC M8 X 1.25 SS
27	90551185	6	WSR-FLT 8.5 X 55 X 2.0 SS

OPTION - DUAL VACUUMIZED SIDE BROOM GROUP - PAGE 1 (600004)

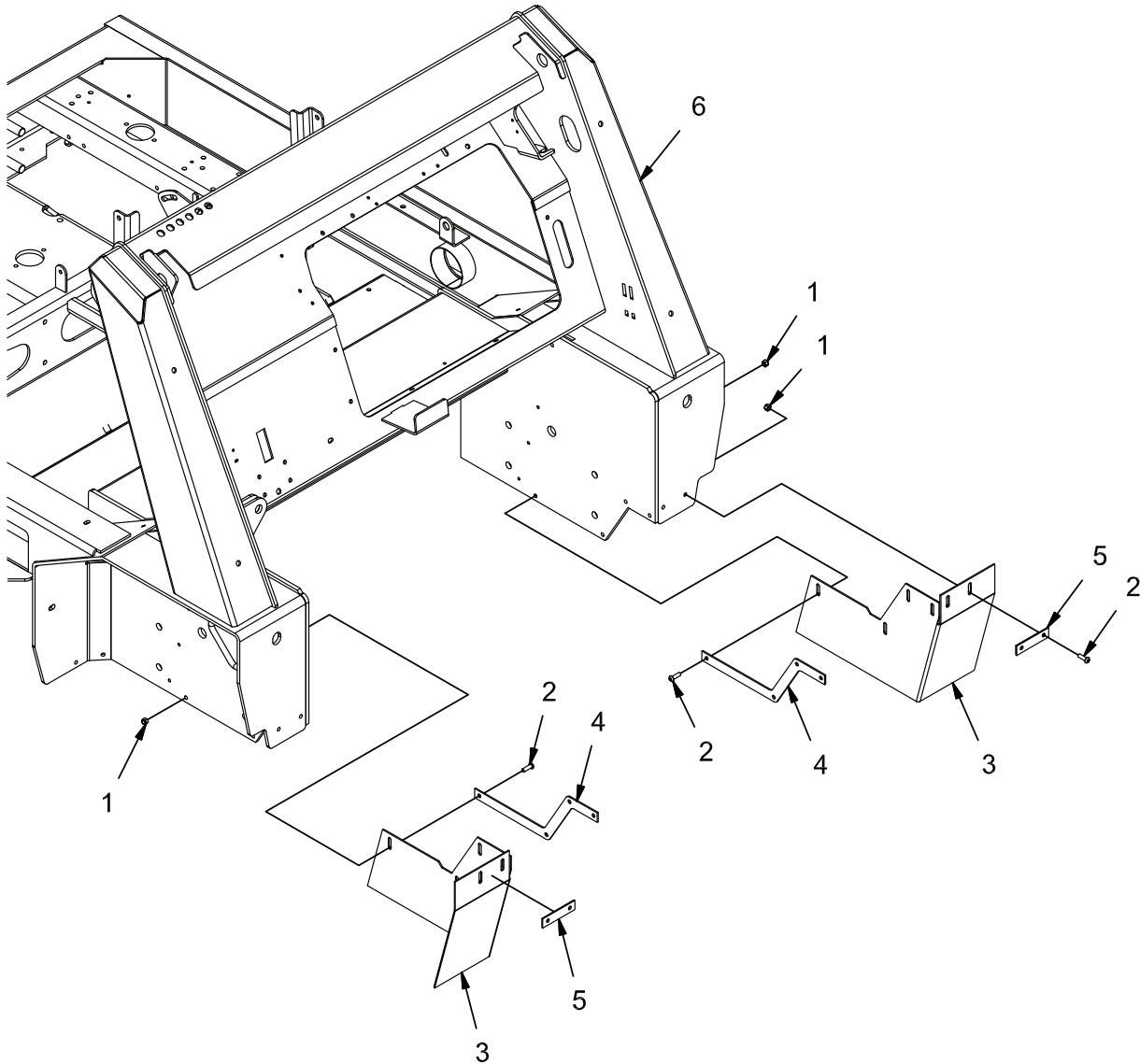


REV B

OPTION - DUAL VACUUMIZED SIDE BROOM GROUP - PAGE 1 (600004)

Parts List - 600004			
ITEM	PART NO.	QTY	DESCRIPTION
1	11038072	12	SCR-HH M6-1.0 X 16 ZP CLASS 8.8
2	11038346	6	SCR-HH M10-1.5 X 25 ZD CLASS 8.8
3	12040044	12	NUT-NYLOC M6 X 1.0 ZP CLASS 6
4	12040069	6	NUT-NYLOC M10 X 1.5 ZD CLASS 6
5	600917	20	SCR-BHSCS M8-1.25 X 25 SS
6	620016-1	1	ASSEMBLY, RH VAC SB COVER
7	620019-1	1	ASSEMBLY, LH VAC SB COVER
8	620021-1	1	ASSEMBLY, BUMPER SKIRT MNT
9	620023	2	STRAP BUMPER SKIRT
10	620024	2	STRAP SIDE SKIRT ZP
11	620047	2	PLATE AIR DAM
12	620048	2	TUBE AIR
13	620049	2	STRAP SHORT
14	620050	1	SEAL DUAL VAC BUMPER
15	620051	2	SKIRT VAC SB
16	620101	1	SKIRT, FRONT VAC
17	620102	1	WELDMENT, VAC SB HOSE COVER
18	620105	2	SEAL, CABLE
19	620106	1	WELDMENT, LH VAC SB HOSE COVER
20	620109	2	SEAL, BUMPER
21	620119	2	EDGING
22	717024	3	SCR-HH M8-1.25 X 20 ZP GRADE 8.8
23	717029	3	NUT-HEX M8 X 1.25 SS
24	REFERENCE	1	DUAL HOPPER ASSEMBLY
25	REFERENCE	1	DUAL BUMPER

OPTION - DUAL VACUUMIZED SIDE BROOM GROUP - PAGE 2 (600004)

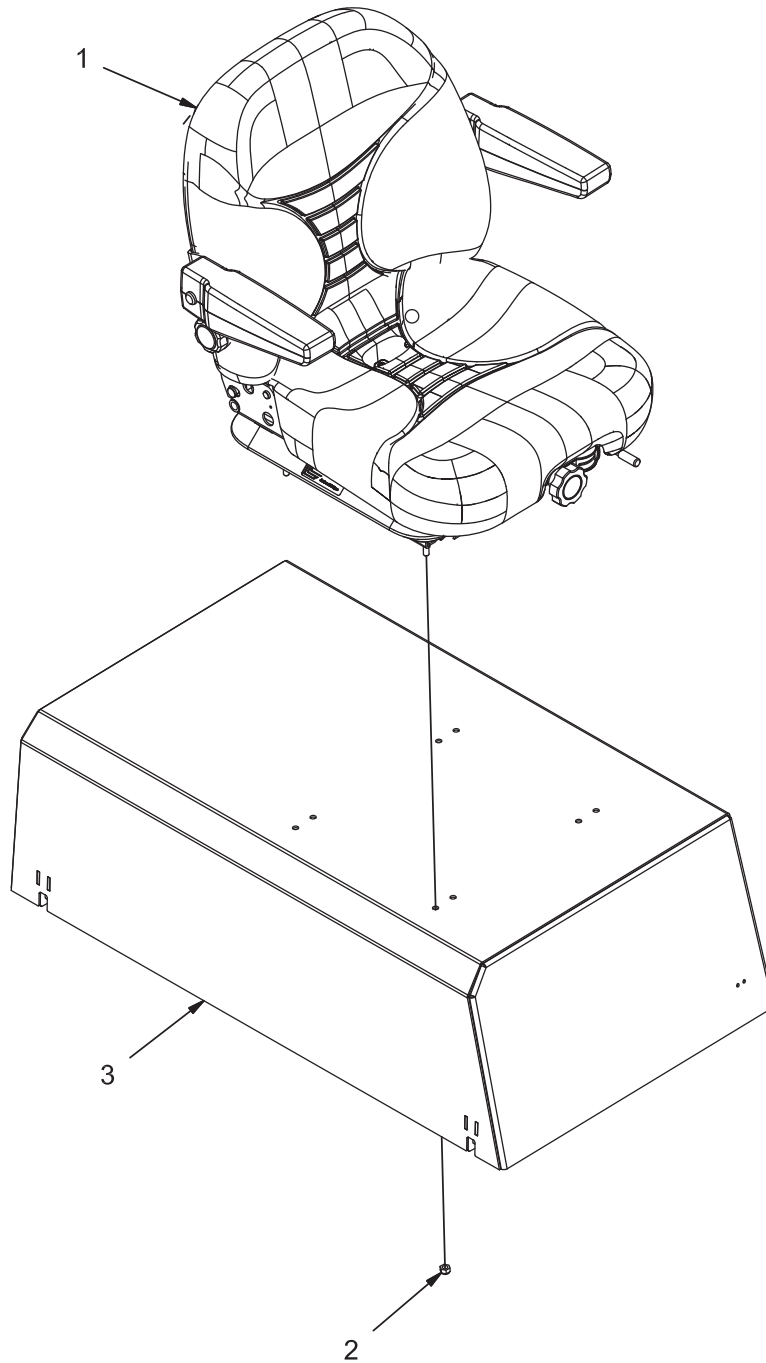


REV B

OPTION - DUAL VACUUMIZED SIDE BROOM GROUP - PAGE 2 (600004)

Parts List - 600004			
ITEM	PART NO.	QTY	DESCRIPTION
1	12040051	12	NUT-NYLOC M8 X 1.25 ZP CLASS 8
2	600917	12	SCR-BHSCS M8-1.25 X 25 SS
3	620025	1	SKIRT MID
4	620026	2	STRAP MID SKIRT ZP
5	620049	2	STRAP SHORT
6	REFERENCE	1	FRAME

OPTION - SUSPENSION SEAT GROUP (600005)

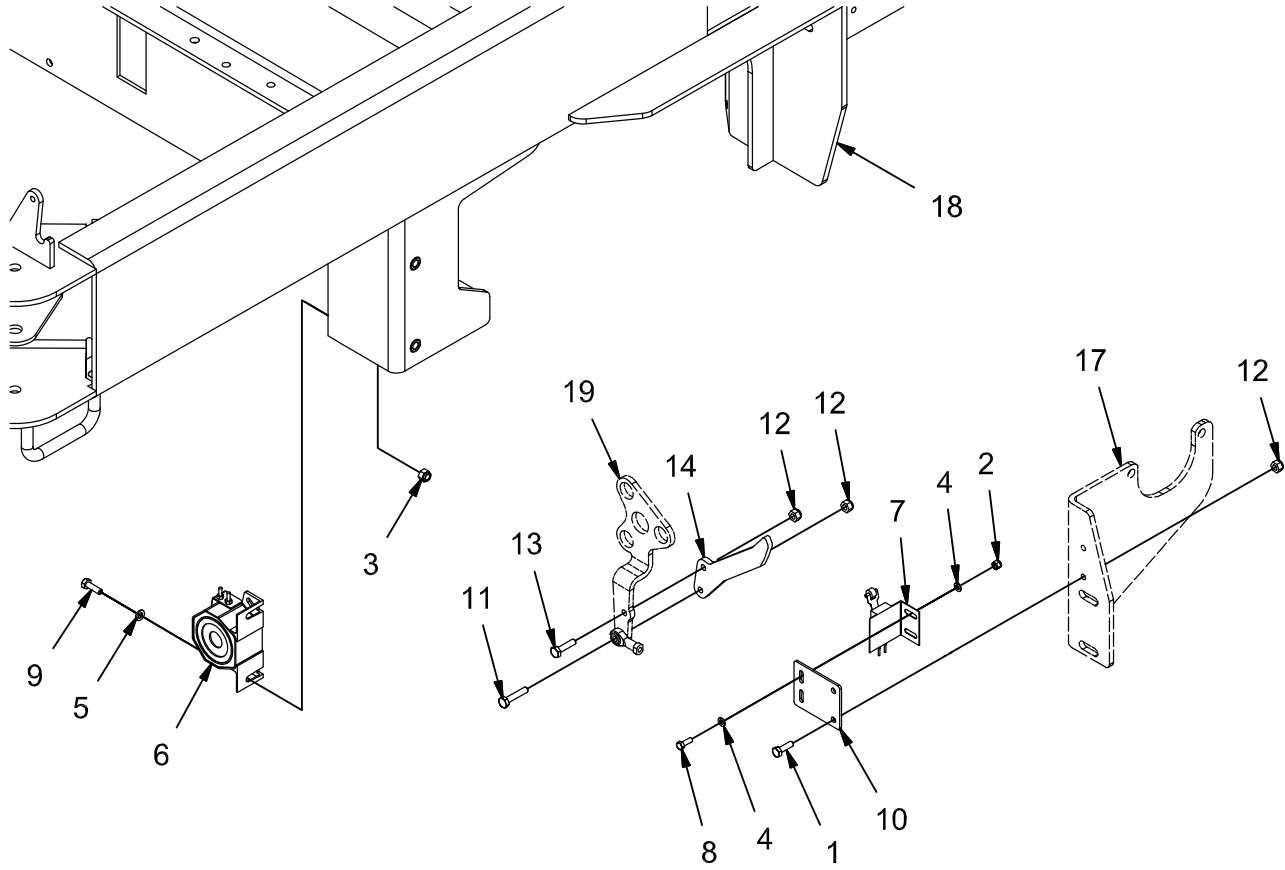


REV B

OPTION - SUSPENSION SEAT GROUP (600005)

Parts List - 600005			
ITEM	PART NO.	QTY	DESCRIPTION
1	623001	1	SEAT, SUSPENSION
2	3400035	4	SCR-HH 5/16-18 X 1.00 ZP GR 5
	711374		NUT-NYLOC 5/16-18 ZP
	3400384		WASHER-CONICAL SPRING 5/16
	600940		WASHER-FENDER M8 X 24 ZP
	711420		NUT-JAM 5/16-18 ZP
3	REFERENCE	1	PUMP COVER

OPTION - BACKUP ALARM GROUP (600006)

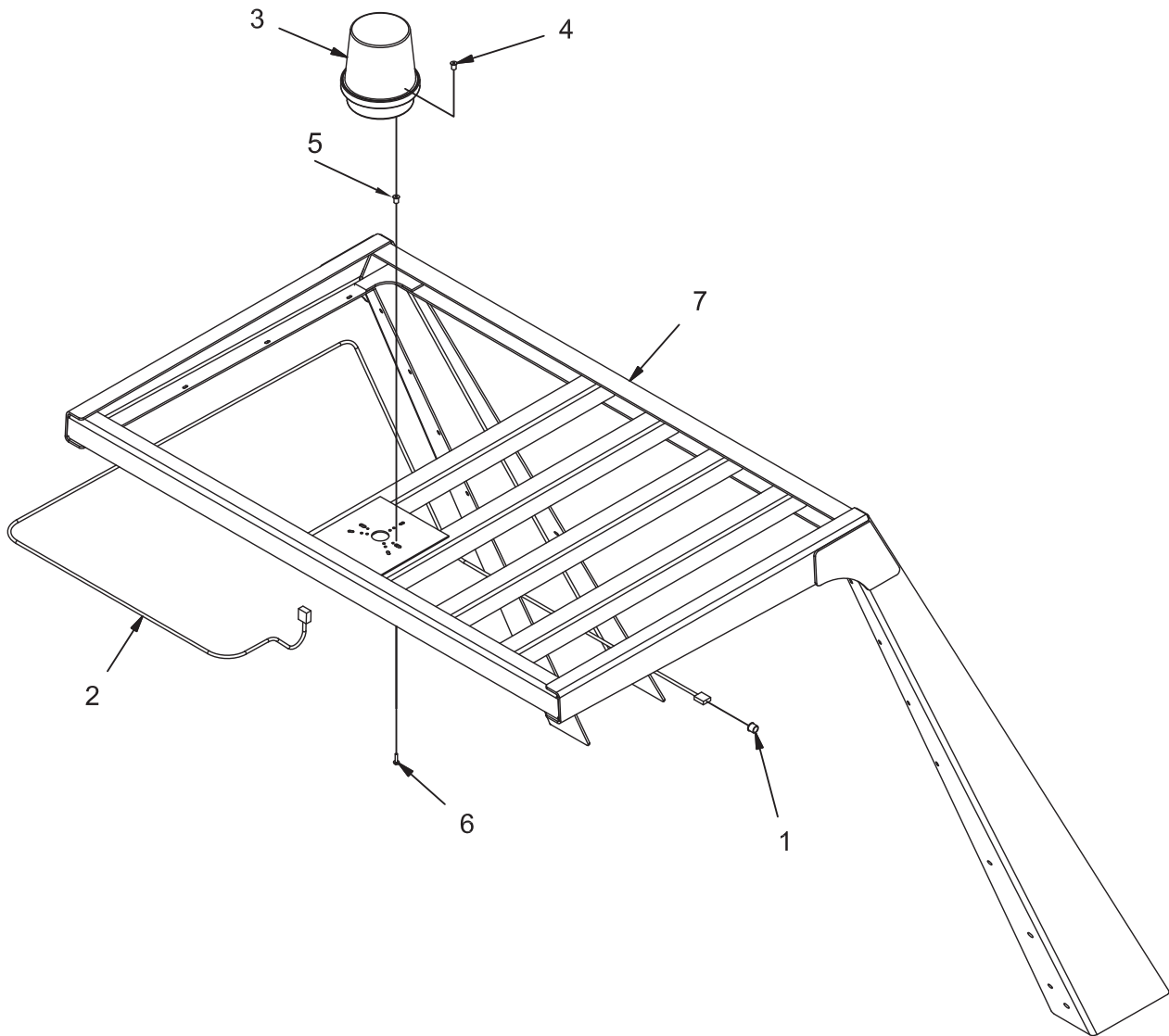


REV B

OPTION - BACKUP ALARM GROUP (600006)

Parts List - 600006			
ITEM	PART NO.	QTY	DESCRIPTION
1	11038098	2	BOLT, M6-100 X 20 HH
2	12040036	2	NUT, M5 - 0.8 ESN
3	12040044	4	NUT, M6-1.00 ESN
4	12310025	4	WASHER, M5
5	12310033	2	WASHER, M6
6	3303002	1	ALARM, BACKUP
7	600853-1	1	SWITCH, LIMIT, N.O.
8	600911	2	BOLT, M5-0.8 X 14 HH
9	600913	2	BOLT, M6-100 X 20 HH SS
10	620246	1	MOUNT, REVERSE SWITCH
11	711210	1	SCREW, 1/4-20 X 1.25 ZP FULL THREAD
12	711377	3	NUT, FIBER INSERT 1/4-20
13	713003	1	SCREW, 1/4-20 X 1.00 HH
14	731000	1	CAM, SWITCH
15	748913	1	HARNESS, BACKUP ALARM OPT
16	748947	1	QC7, WIRE JUNCTION
17	REFERENCE		HYDROBACK MOUNT
18	REFERENCE		FRAME
19	REFERENCE		DIRECTIONAL CONTROL ARM

OPTION - SAFETY LIGHT, AMBER LIGHT OHG GROUP (620258)

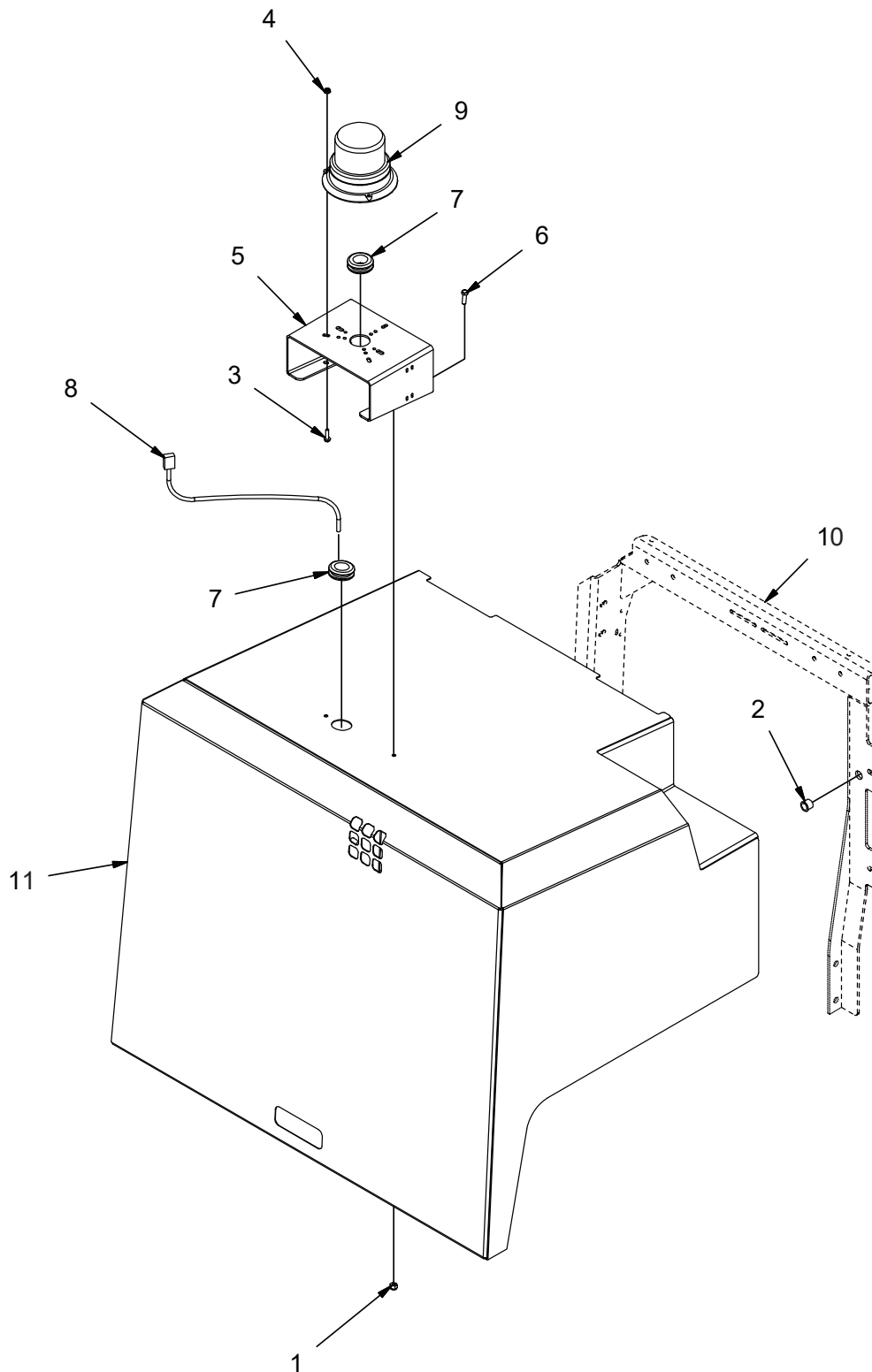


REV A

OPTION - SAFETY LIGHT, AMBER LIGHT OHG GROUP (620258)

Parts List - 600258			
ITEM	PART NO.	QTY	DESCRIPTION
1	170033	1	HEYCO BUSHING, .50X.625X.56
2	748916	1	HARNESS, SAFETY LIGHT, OHG
3	620073-1	1	ASSEMBLY, AMBER LED BEACON
4	PART OF 748919	2	NUT, EXPANSION
5	711350	3	NUT-JAM 10-32 ZP NYLOC
6	3400044	3	SCR-HH 10-32 X .75 ZP SERR FLANGE
7	REFERENCE	1	OVERHEAD GUARD
8	748947	1	QC7, WIRE JUNCTION (NOT SHOWN)

OPTION - SAFETY LIGHT, AMBER LIGHT ENG CVR GROUP (600010)

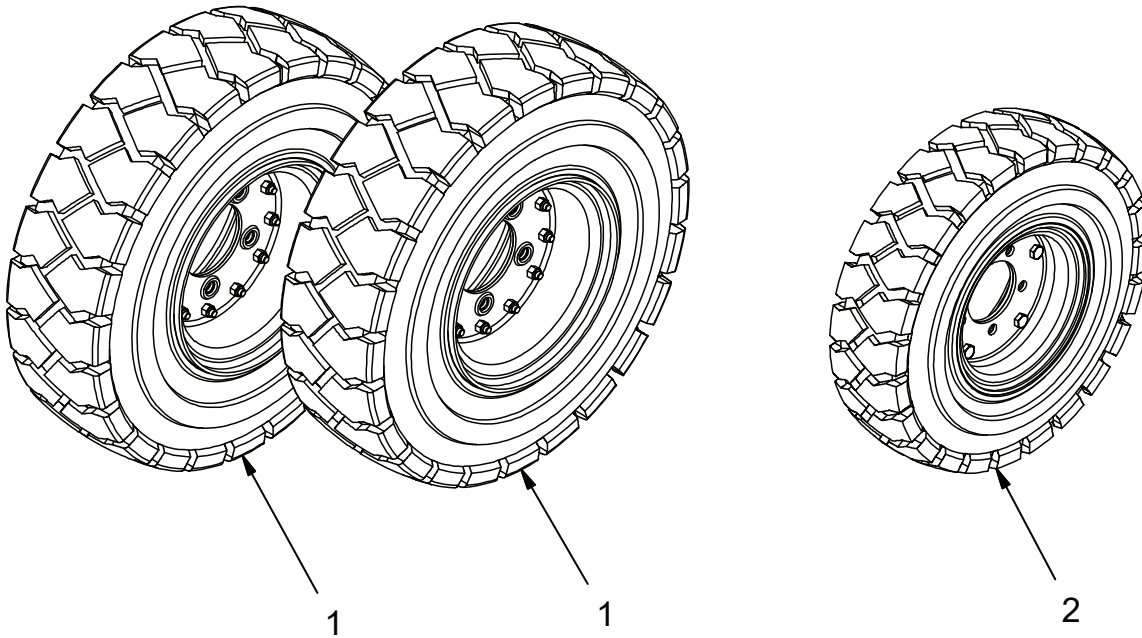


REV A

OPTION - SAFETY LIGHT, AMBER LIGHT ENG CVR GROUP (600010)

Parts List - 600258			
ITEM	PART NO.	QTY	DESCRIPTION
1	170033	1	HEYCO BUSHING, .50X.625X.56
2	748916	1	HARNESS, SAFETY LIGHT, OHG
3	620073-1	1	ASSEMBLY, AMBER LED BEACON
4	PART OF 748919	2	NUT, EXPANSION
5	711350	3	NUT-JAM 10-32 ZP NYLOC
6	3400044	3	SCR-HH 10-32 X .75 ZP SERR FLANGE
7	REFERENCE	1	OVERHEAD GUARD
8	748947	1	QC7, WIRE JUNCTION (NOT SHOWN)

OPTION - TIRE, ALL SOFT SHOE SOLID GROUP (600015)

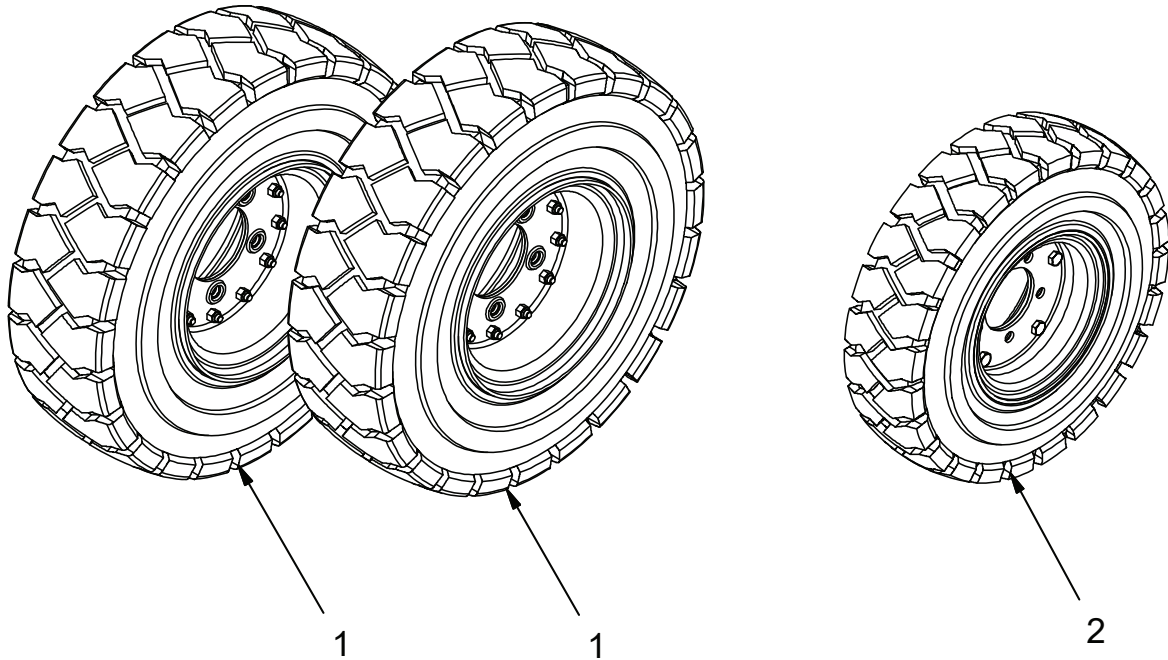


REV *

OPTION - TIRE, ALL SOFT SHOE SOLID GROUP (600015)

Parts List - 600015			
ITEM	PART NO.	QTY	DESCRIPTION
1	3307071	2	ASSEMBLY, 650-10 SOFT SHOE SOLID FRONT TIRE
-	620100	-	REPLACEMENT TIRE, FRONT, SOFT SHOE SOLID
2	620093	1	ASSEMBLY, 500-8 SOFT SHOE SOLID REAR TIRE
-	620094	-	REPLACEMENT TIRE, REAR, SOFT SHOE SOLID

OPTION - TIRE, FRONT SOFT SHOE SOLID, REAR PNEUMATIC GROUP (600016)

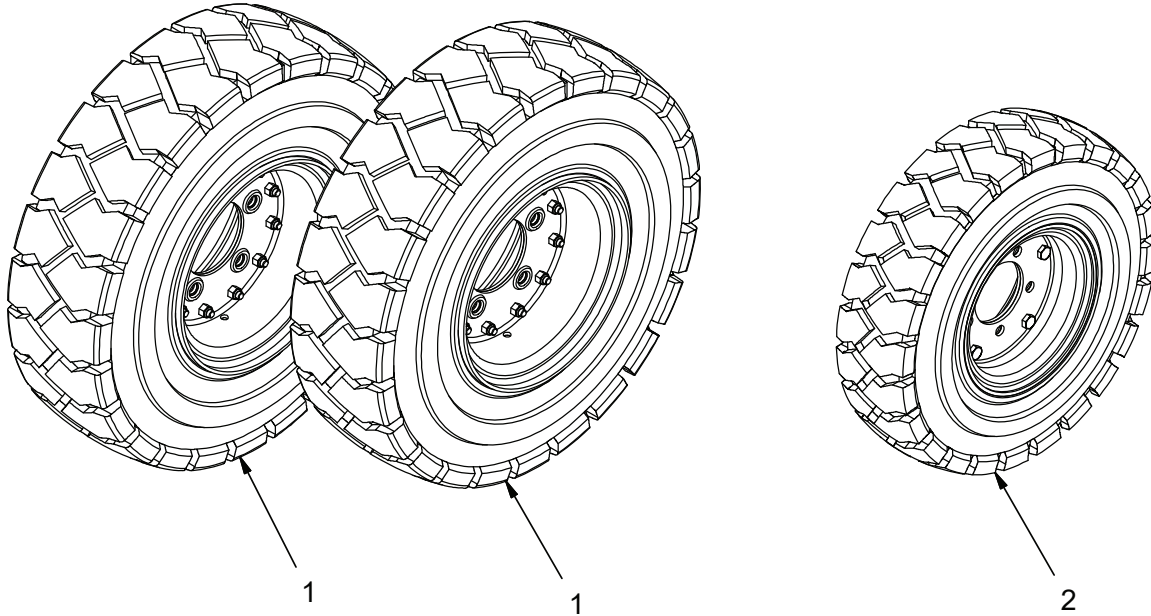


REV *

OPTION - TIRE, FRONT SOFT SHOE SOLID, REAR PNEUMATIC GROUP (600016)

Parts List - 600016			
ITEM	PART NO.	QTY	DESCRIPTION
1	3307071	2	ASSEMBLY, 650-10 SOFT SHOE SOLID FRONT TIRE
-	620100	-	REPLACEMENT TIRE, FRONT, SOFT SHOE SOLID
2	600388	1	ASSEMBLY, 500-8 PNEUMATIC REAR TIRE
-	600336	-	REPLACEMENT TIRE, REAR, PNEUMATIC

OPTION - TIRE, ALL NON-MARKING SOLID GROUP (600017)

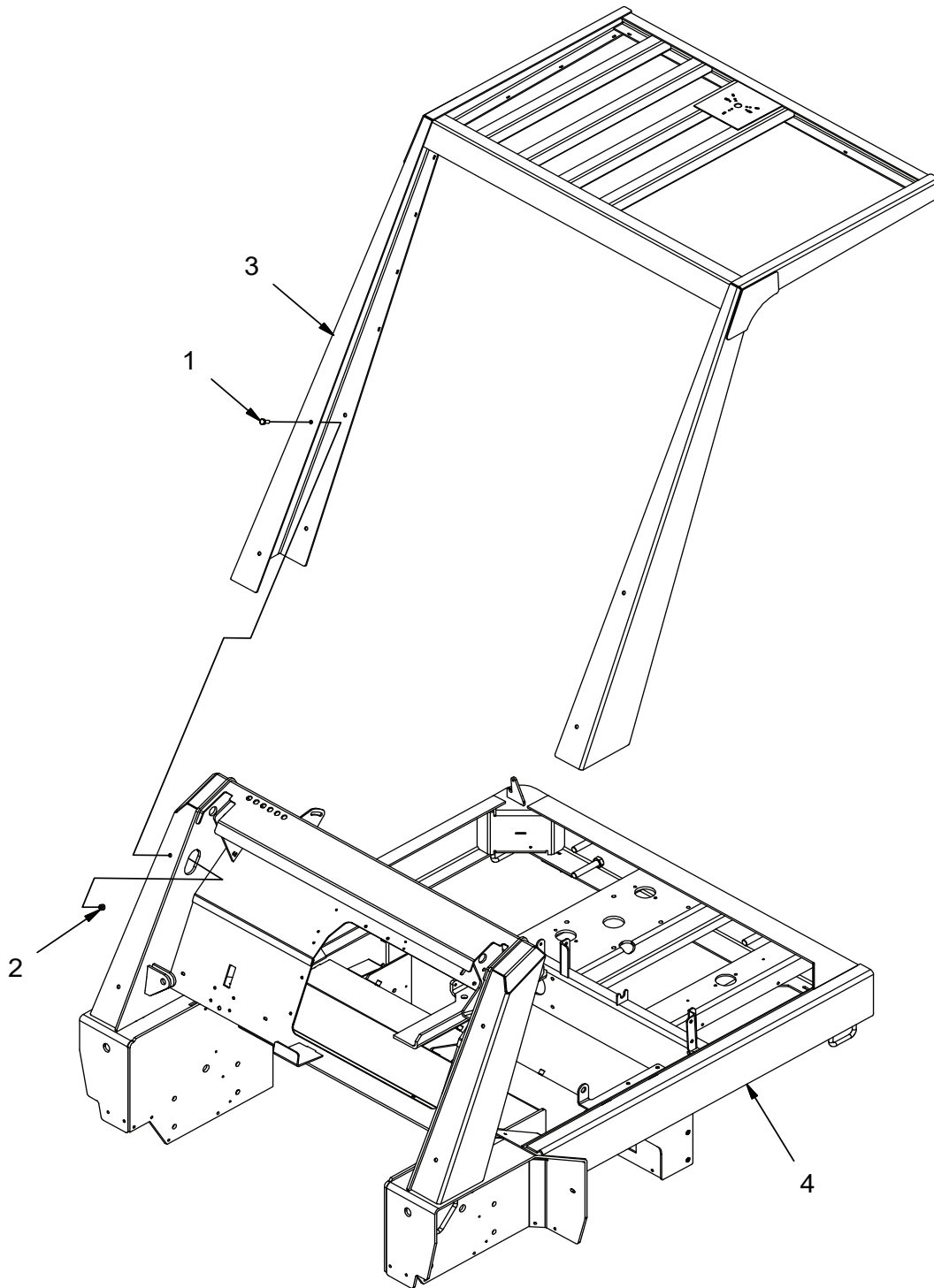


REV *

OPTION - TIRE, ALL NON-MARKING SOLID GROUP (600017)

Parts List - 600017			
ITEM	PART NO.	QTY	DESCRIPTION
1	620098	2	ASSEMBLY, TIRE, 650-10 SOLID NON-MARKING, FRONT
-	3307910	-	REPLACEMENT TIRE, FRONT, NON-MARKING
2	620095	1	ASSEMBLY, TIRE, 500-8 SOLID NON-MARKING, REAR
-	620096	-	REPLACEMENT TIRE, REAR, NON-MARKING

OPTION - OVERHEAD GUARD (OHG) GROUP (600019)

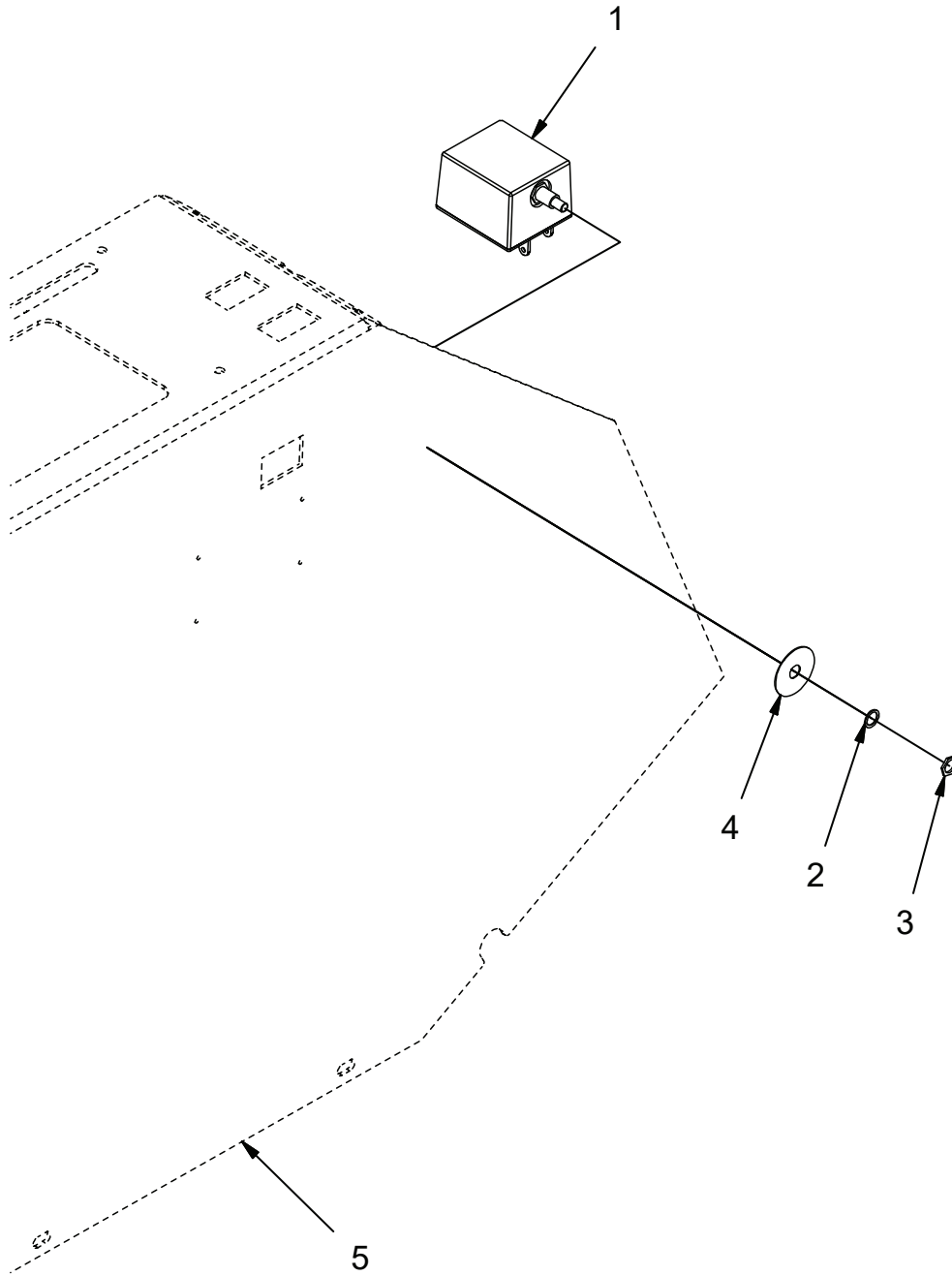


REV *

OPTION - OVERHEAD GUARD (OHG) GROUP (600019)

Parts List - 600019			
ITEM	PART NO.	QTY	DESCRIPTION
1	11038346	8	BOLT, M10-1.50 X 25 HH
2	12040069	8	NUT, M10-1.50 ESN
3	600887	1	WELDMENT, OHG
4	REFERENCE	1	FRAME

OPTION - AUTO DIESEL SHUTDOWN GROUP (600020)

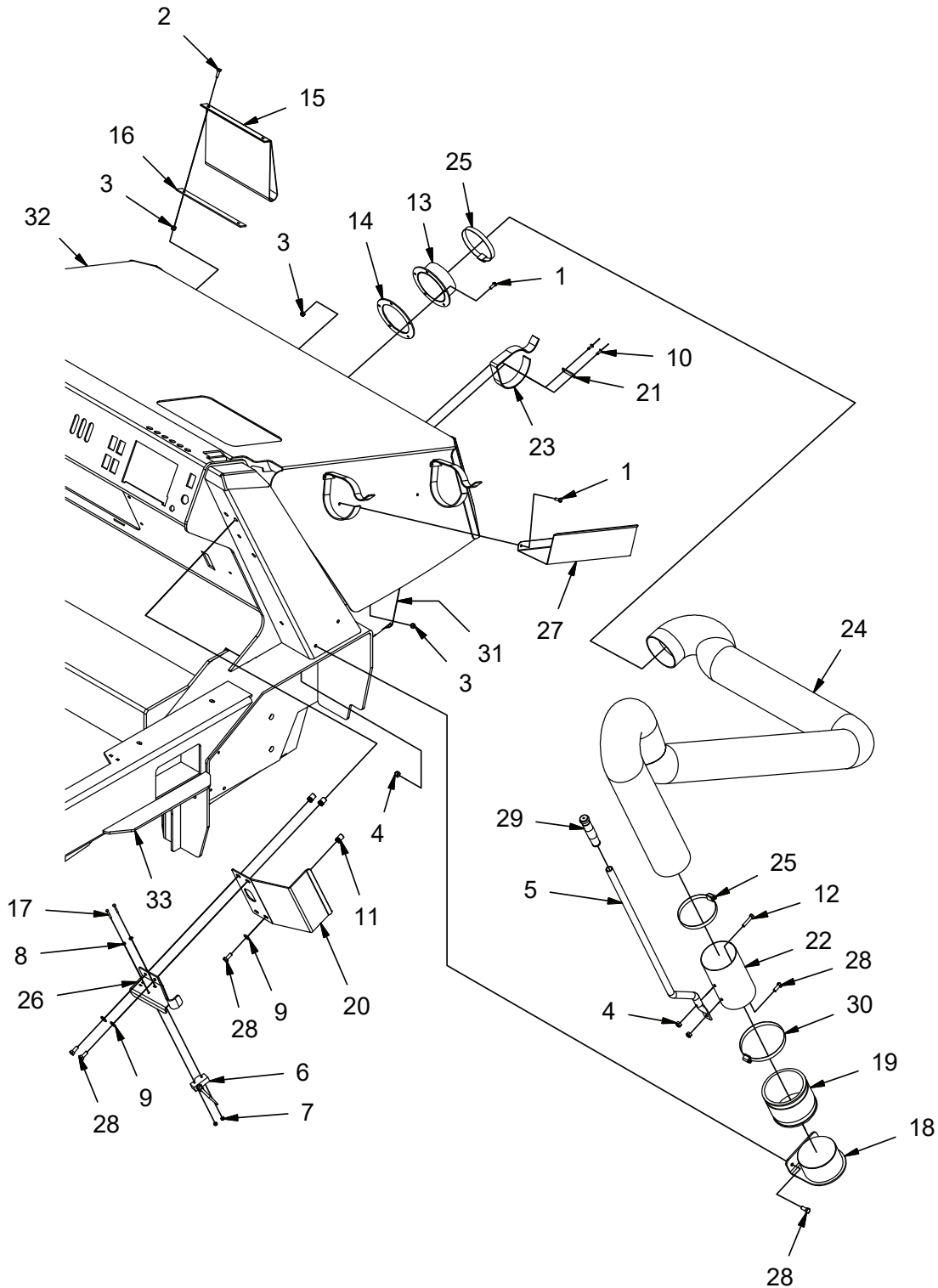


REV *

OPTION - AUTO DIESEL SHUTDOWN GROUP (600020)

Parts List - 600020			
ITEM	PART NO.	QTY	DESCRIPTION
1	3316175	1	SWITCH, MURPHY SHUTDOWN ARMA
2	PART OF 3316175	1	LOCK WASHER
3	PART OF 3316175	1	NUT
4	PART OF 3316175	1	DECAL
-	748944	1	HARNESS, AUTO DIESEL SHUTDOWN
5	REFERENCE	1	CONSOLE

OPTION - VACUUM WAND GROUP - PAGE 1 (600021)



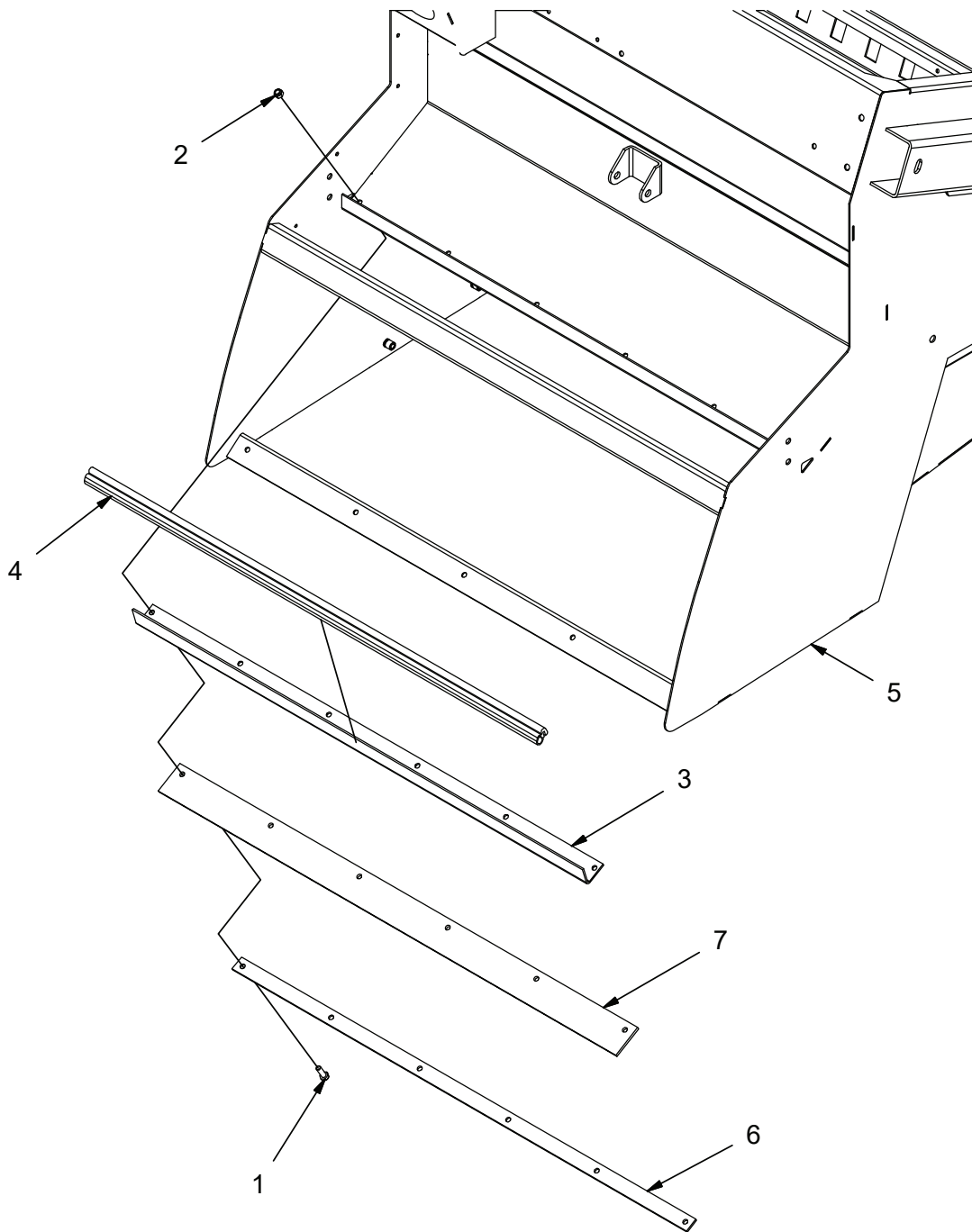
REV *

OPTION - VACUUM WAND GROUP - PAGE 1 (600021)

Parts List - 600021			
ITEM	PART NO.	QTY	DESCRIPTION
1	11038072	7	BOLT, M6-100 X 16 HH
2	11038098	2	BOLT, M6-100 X 20 HH
3	12040044	9	NUT, M6-1.00 ESN
4	12040051	4	NUT, M8-1.25 ESN
5	3339586	1	HOSE, VAC WAND
6	3342546	1	SWITCH, WHISKER
7	711372	2	NUT, FIBER INSERT #8-32
8	711502	2	FLATWASHER, #8
9	3400384	3	WASHER, 5/16 BELLEVILLE
10	3400484	6	RIVET, MULTI-GRIP
11	600852	3	M8-1.25 INSERT, .188 GRIP
12	600918	1	BOLT, M8-125 X 35 HH
13	620113	1	WELDMENT, VAC CONNECT
14	620116	1	GASKET, VAC CONNECT
15	620117	1	SHIELD, DIRT
16	620118	1	RETAINER, SHIELD
17	620136	2	BOLT, #8-32 X 1.25 HH ZP
18	620149	1	WELDMENT, WAND MNT
19	620153	1	TUBE, WAND END
20	620220	1	CRADLE, HOSE
21	620172	3	RETAINER,VELCRO
22	620173	1	TUBE, VAC WAND
23	620174	3	STRAP, VELCRO
24	620175	1	HOSE, VACUUM, 4"
25	620176	2	CLAMP, HOSE, 4"
26	620187	1	WELDMENT, VACUUM WAND RETAINER
27	620210	1	CHANNEL, HOSE
28	717024	6	BOLT, M8-1.25 X 20 HH
29	78-71-A	1	GRIP, HANDLE, BLACK
30	PART OF 620153	1	CLAMP, HOSE
31	REFERENCE	1	HOPPER SKIRTS & SEALS - DSB
32	REFERENCE	1	HOPPER COVER
33	REFERENCE	1	FRAME
-	748945	1	HARNESS

**OPTION GROUP (600021) - VACUUM WAND GROUP, INCLUDES:
600021 PAGE 1 & 600021 PAGE 2.**

OPTION - VACUUM WAND GROUP - PAGE 2 (600021)



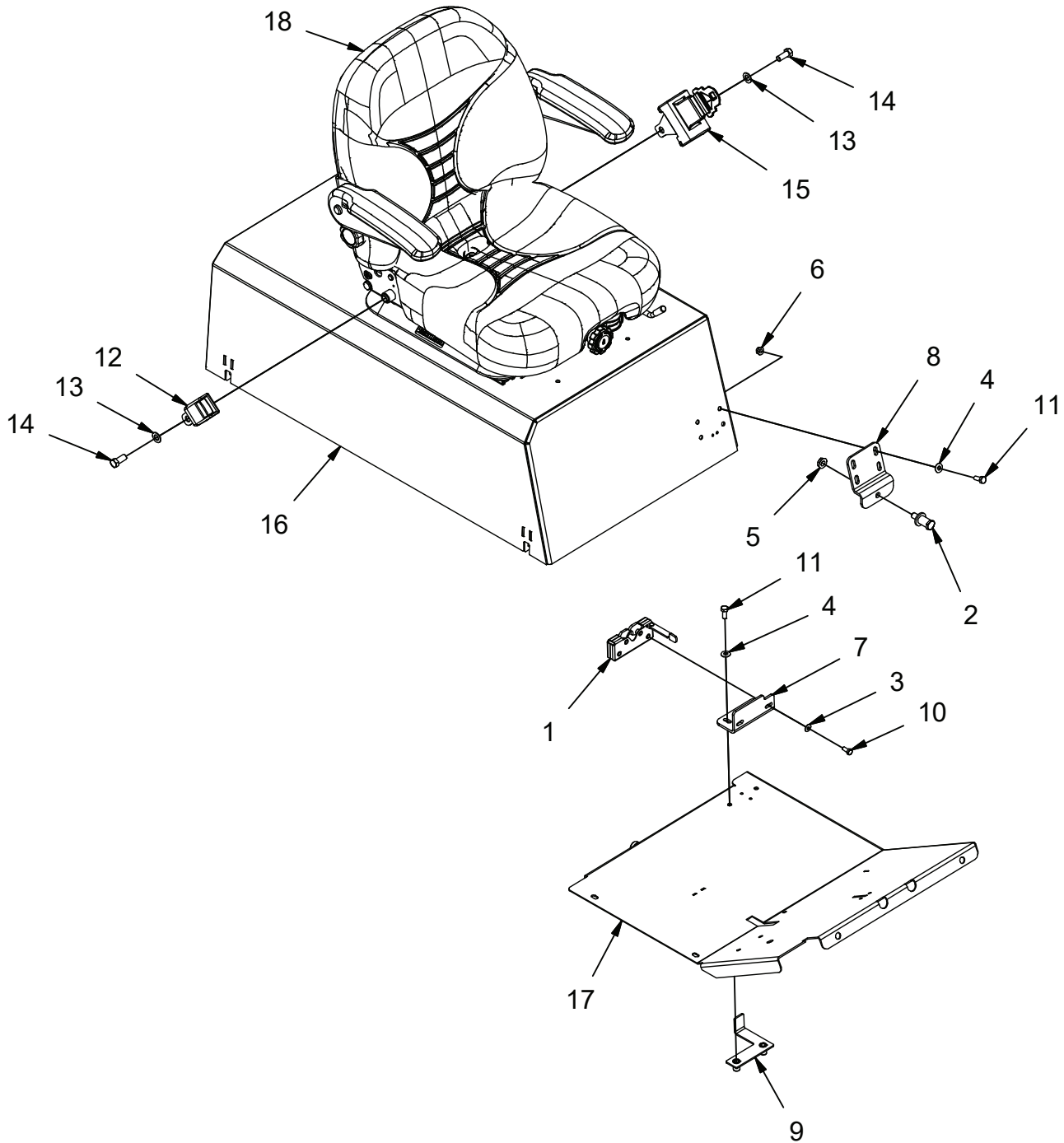
REV *

OPTION - VACUUM WAND GROUP - PAGE 2 (600021)

Parts List - 600021			
ITEM	PART NO.	QTY	DESCRIPTION
1	11038247	6	BLT-HH M8-125 X 25 STL ZINC
2	12040259	6	NUT, M8-1.25 ESN SS
3	620185	1	ANGLE, SEAL MNT
4	620186	1	EDGING, DUMP DOOR
5	REFERENCE	1	HOPPER
6	REFERENCE	1	RETAINER, DOOR BAR SEAL
7	REFERENCE	1	SEAL, DUMP DOOR BAR

**OPTION GROUP (600021) - VACUUM WAND GROUP, INCLUDES:
600021 PAGE 1 & 600021 PAGE 2.**

OPTION - SEAT BELT, SUSPENSION SEAT GROUP (600022)

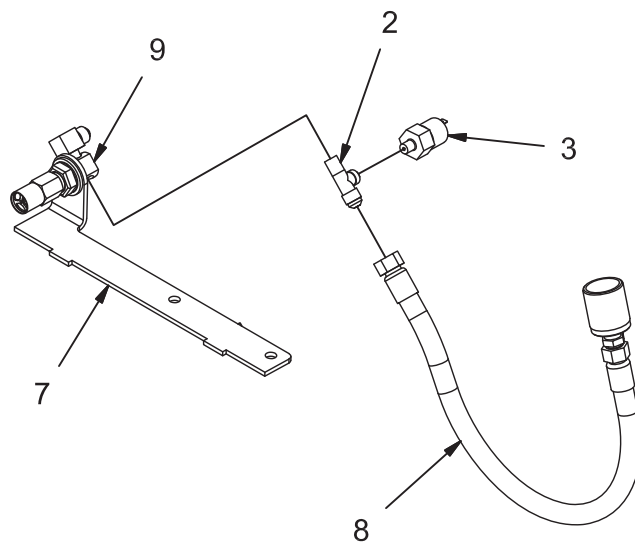
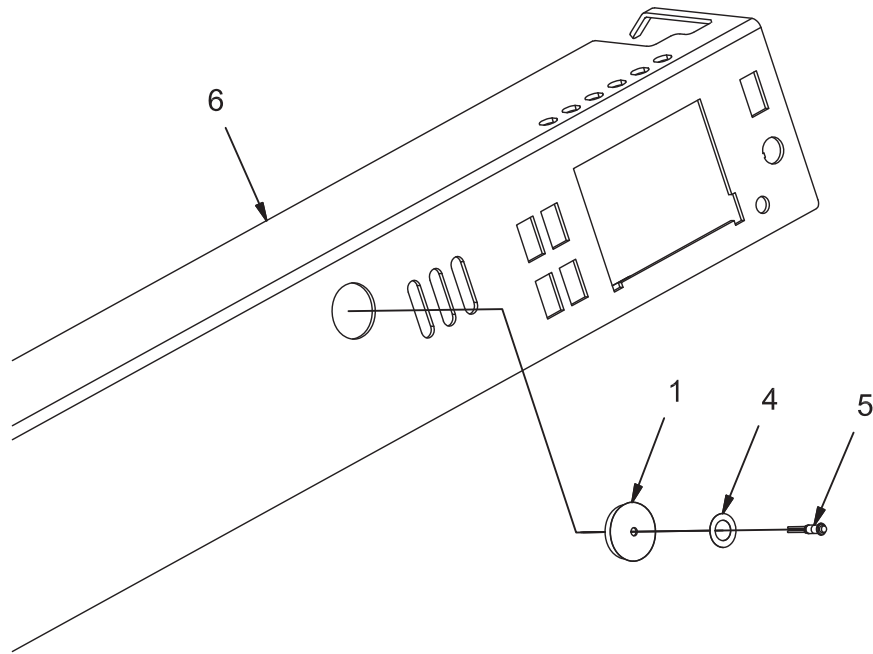


REV A

OPTION - SEAT BELT, SUSPENSION SEAT GROUP (60022)

Parts List - 60022			
ITEM	PART NO.	QTY	DESCRIPTION
1	3307246	1	LATCH, LH
2	3307248	1	STRIKER-LATCH
3	3400383	2	WASHER, 1/4 BELLEVILLE
4	3400384	6	WASHER, 5/16 BELLEVILLE
5	3400394	1	NUT, 7/16-14 FLNG
6	600934	4	NUT, M8-1.25 FLNG
7	620193	1	BRACKET, LATCH
8	620194	1	BRACKET, STRIKER
9	620216-1	1	ASSEMBLY, NUT PLATE
10	713001	2	SCREW, 1/4-20 X .625 HHC
11	717024	6	BOLT, M8-1.25 X 20 HH
12	PART OF 620192	1	SEAT BELT RECEIVER
13	PART OF 620192	2	7/16 FLAT WASHER
14	PART OF 620192	2	BOLT, 7/16-20 X 1.00
15	PART OF 620192	1	SEAT BELT RETRACTOR
16	REFERENCE	1	PUMP COVER
17	REFERENCE	1	FLOOR
18	REFERENCE	1	SUSPENSION SEAT

OPTION - LOW LPG INDICATOR GROUP (600023)

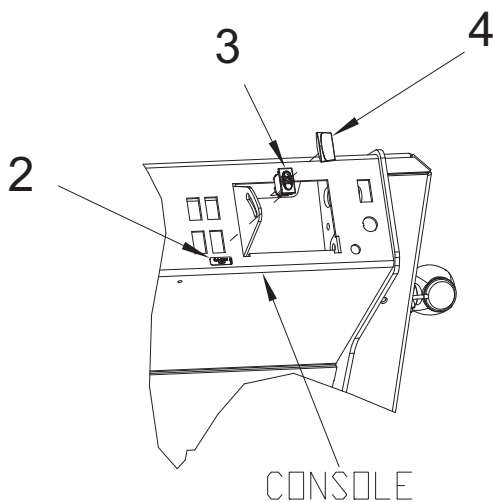
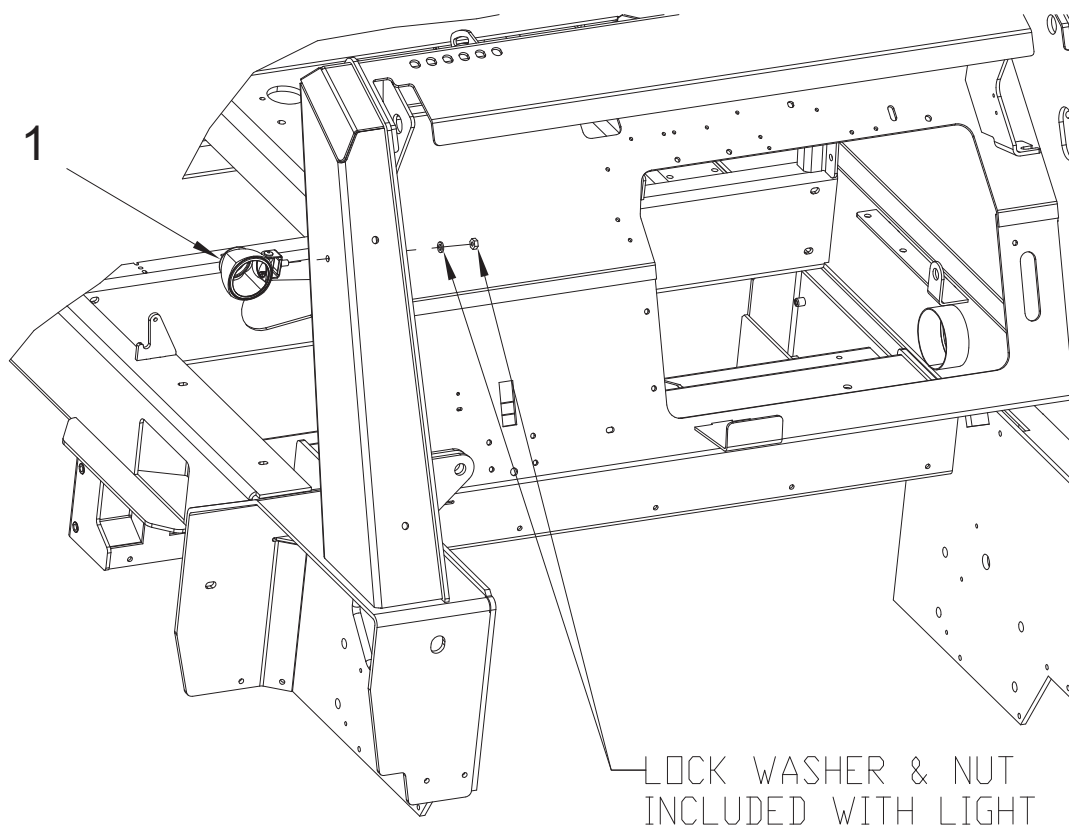


REV C

OPTION - LOW LEVEL INDICATOR GROUP (600023)

Parts List - 600023			
ITEM	PART NO.	QTY	DESCRIPTION
1	3301822-1	1	PLUG, PLASTIC, WITH MTG HOLE
2	3305535-2	1	TEE, BRASS
3	3305535-3	1	LP INDICATOR SENSOR
4	3305535-4	1	LPG LABEL
5	748960	1	ASSY, INDICATOR LAMP, LO LP
6	REFERENCE	1	FRAME
7	REFERENCE	1	FRAME
8	REFERENCE	1	LP TANK HOSE
9	REFERENCE	1	RELIEF VALVE MOUNT
-	748940	1	WIRE ASSY, LO LP INDICATOR
-	746050	2	COVER, SAFETY CAP MOTOR WIRE TERMINAL

OPTION - SIDE BROOM LIGHT GROUP (600025)

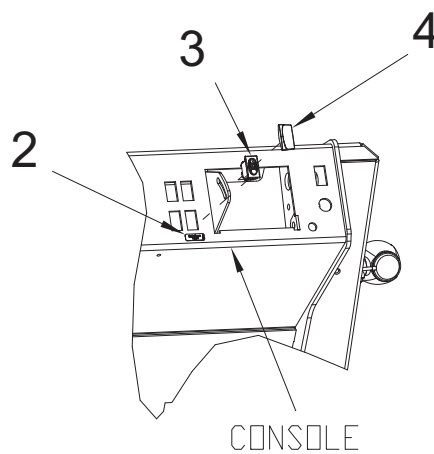
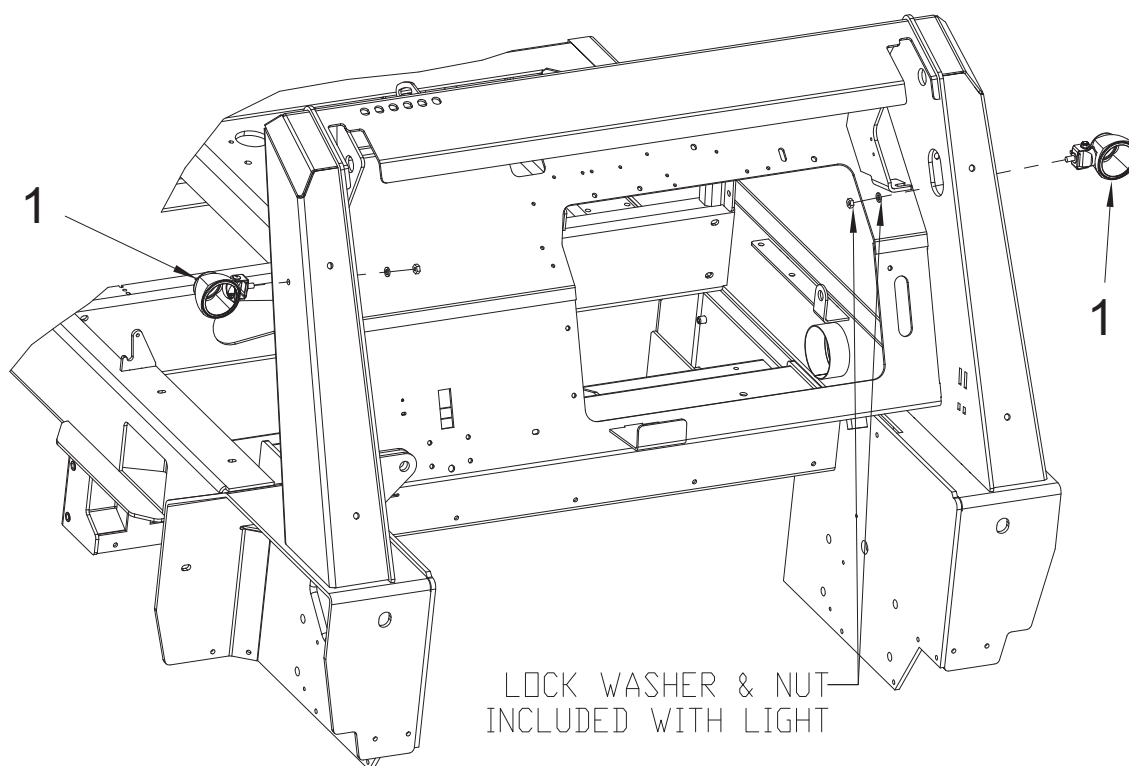


REV A

OPTION - SIDE BROOM LIGHT GROUP (600025)

Parts List - 600025			
ITEM	PART NO.	QTY	DESCRIPTION
1	620209-2	1	ASSY, HEADLIGHT
2	3334829	1	DECAL-SIDE BROOM SPOT LIGHT
3	3342705	1	SWITCH-BASE, DPST CONTURA ROCKER
4	3344038	1	COVER-SWITCH ROCKER BLACK NO LENS

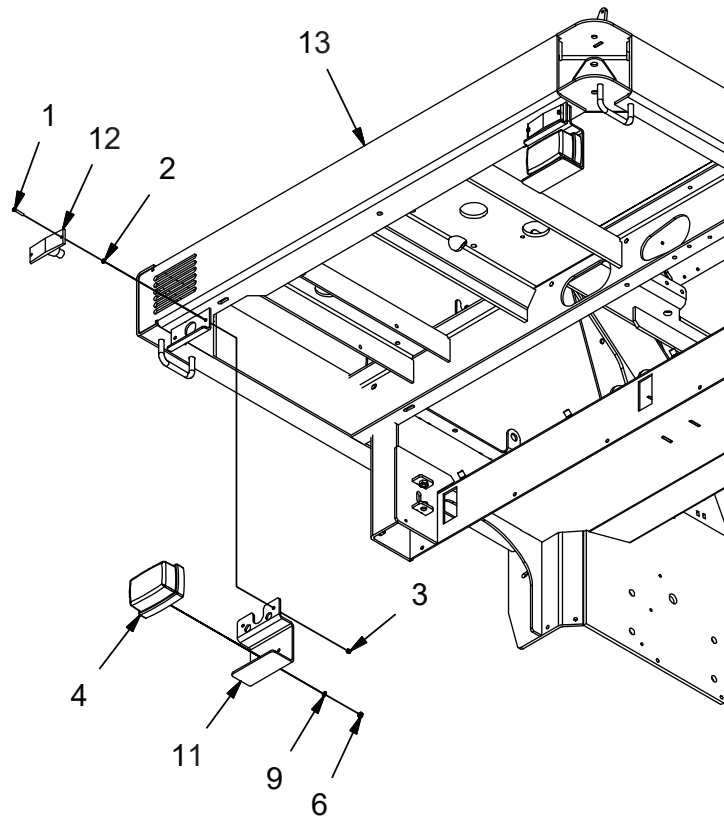
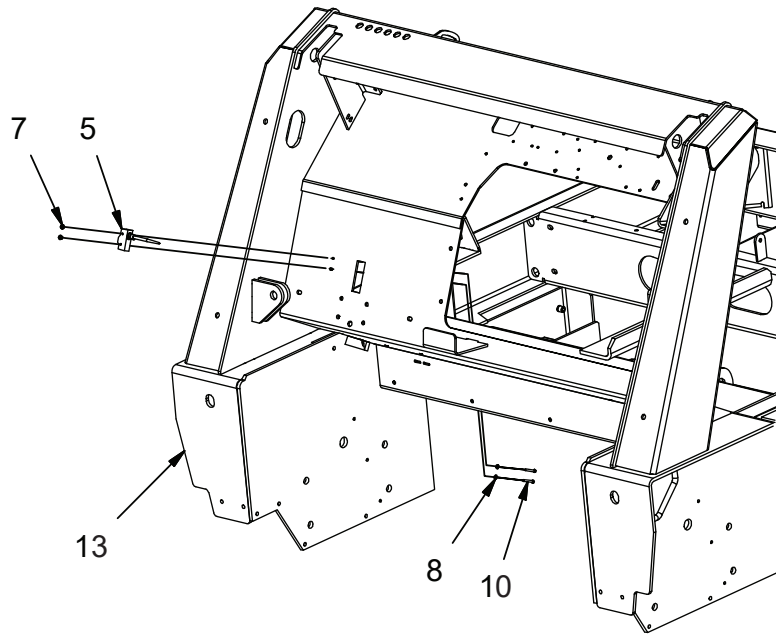
OPTION - SIDE BROOM LIGHT GROUP - DSB (600053)



OPTION - SIDE BROOM LIGHT GROUP - DSB (600053)

Parts List - 600053			
ITEM	PART NO.	QTY	DESCRIPTION
1	620209-2	2	ASSY, HEADLIGHT
2	3334829	1	DECAL-SIDE BROOM SPOT LIGHT
3	3342705	1	SWITCH-BASE, DPST CONTURA ROCKER
4	3344038	1	COVER-SWITCH ROCKER BLACK NO LENS

OPTION - BRAKE LIGHTS GROUP (600027)

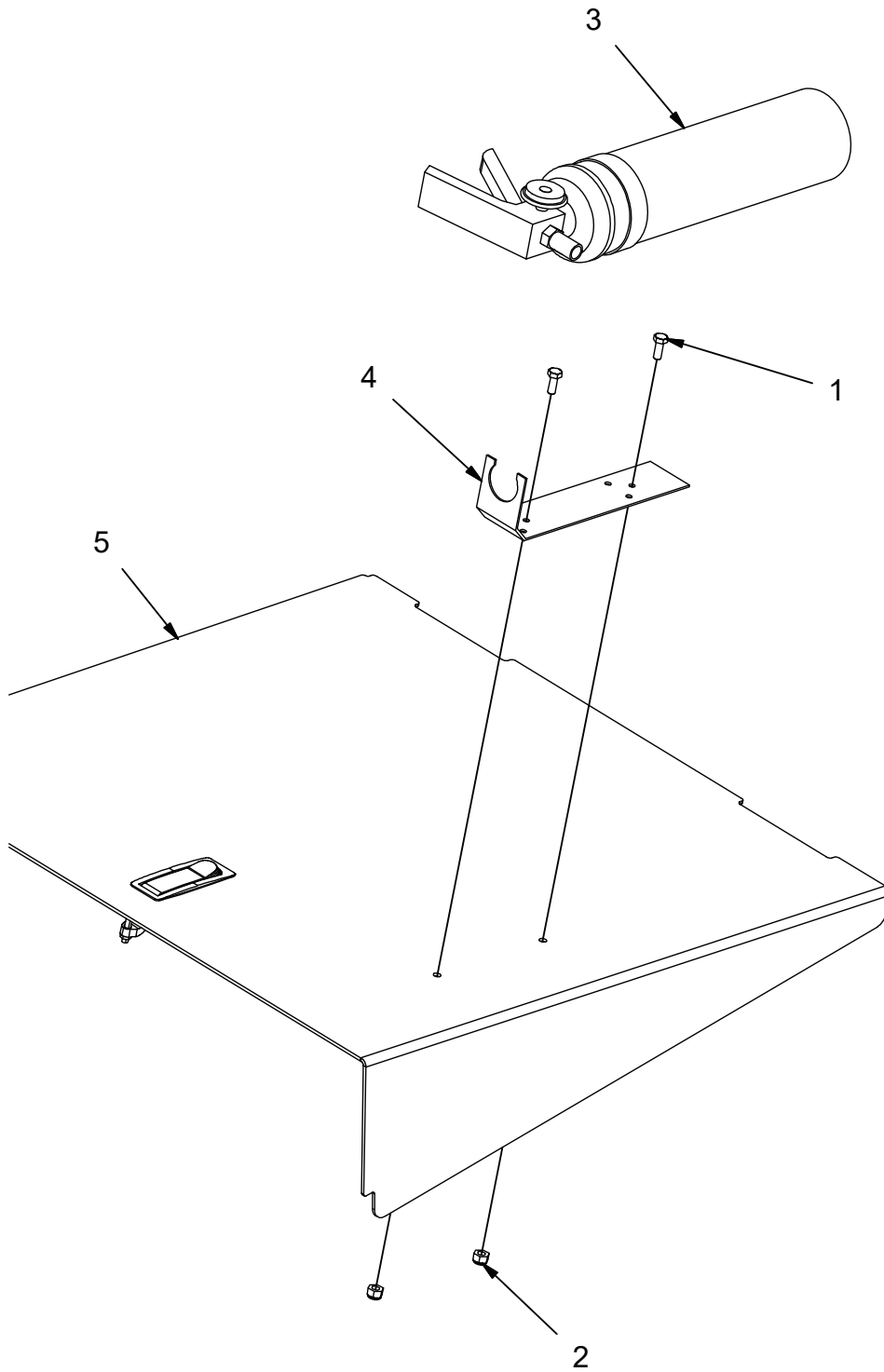


REV A

OPTION - BRAKE LIGHTS GROUP (600027)

Parts List - 600027			
ITEM	PART NO.	QTY	DESCRIPTION
1	11039765	4	BOLT, M5-0.8 X 30 HHB
2	12022430	4	NUT, HEX, M5 - 0.8
3	12040036	4	NUT, M5- 0.8 ESN
4	600698-2	2	LIGHT, TAIL, 12V, COMBINATION
5	3342546	1	SWITCH, WHISKER
6	3400071	4	NUT, HEX, 1/4-20 ZP
7	711372	2	NUT, FIBER INSERT #8-32
8	711502	2	FLATWASHER, #8
9	711544	4	LOCK WASHER, 1/4 HS MED
10	620136	2	BOLT, #8-32 X 1.25 HH ZP
11	620161	2	BRACKET, REAR AUX LIGHT MNT
12	REFERENCE	1	TAIL LIGHT
13	REFERENCE	1	FRAME

OPTION - FIRE EXTINGUISHER GROUP (600028)

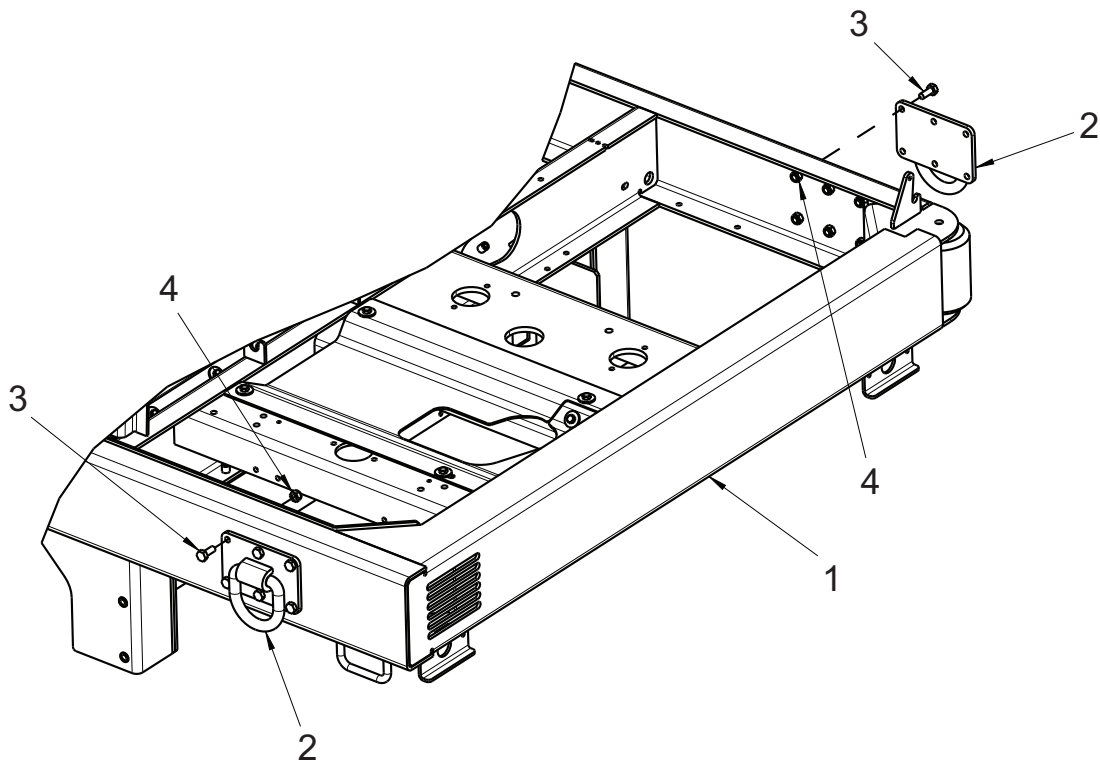


REV *

OPTION - FIRE EXTINGUISHER GROUP (600028)

Parts List - 600028			
ITEM	PART NO.	QTY	DESCRIPTION
1	11132065	2	BOLT, M6-100 X 16 HH
2	12040044	2	NUT, M6-1.00 ESN
3	3302769	1	FIRE EXTINGUISHER
4	PART OF 3302769	1	MOUNT, EXTINGUISHER
5	REFERENCE	1	TOP COVER

OPTION - TIE DOWNS GROUP (600043)

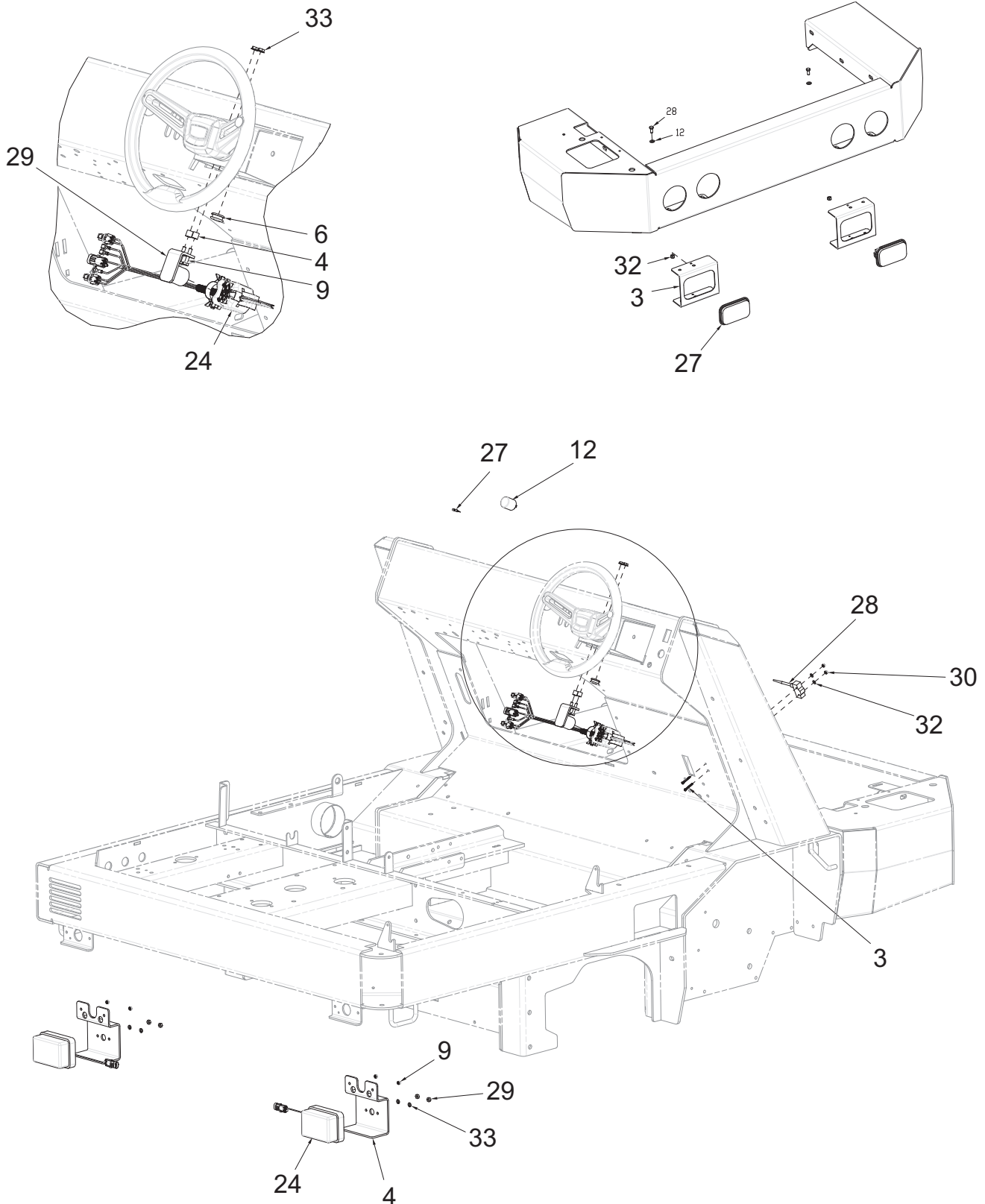


REV C

OPTION - TIE DOWNS GROUP (600043)

Parts List - 600043			
ITEM	PART NO.	QTY	DESCRIPTION
1	REFERENCE	1	FRAME
2	731566	2	TIE DOWN RING
3	11038346	12	SCR-HH M10-1.5 X 25 ZD CLASS 8.8
4	12040069	12	NUT-NYLOC M10 X 1.5 ZD CLASS 6

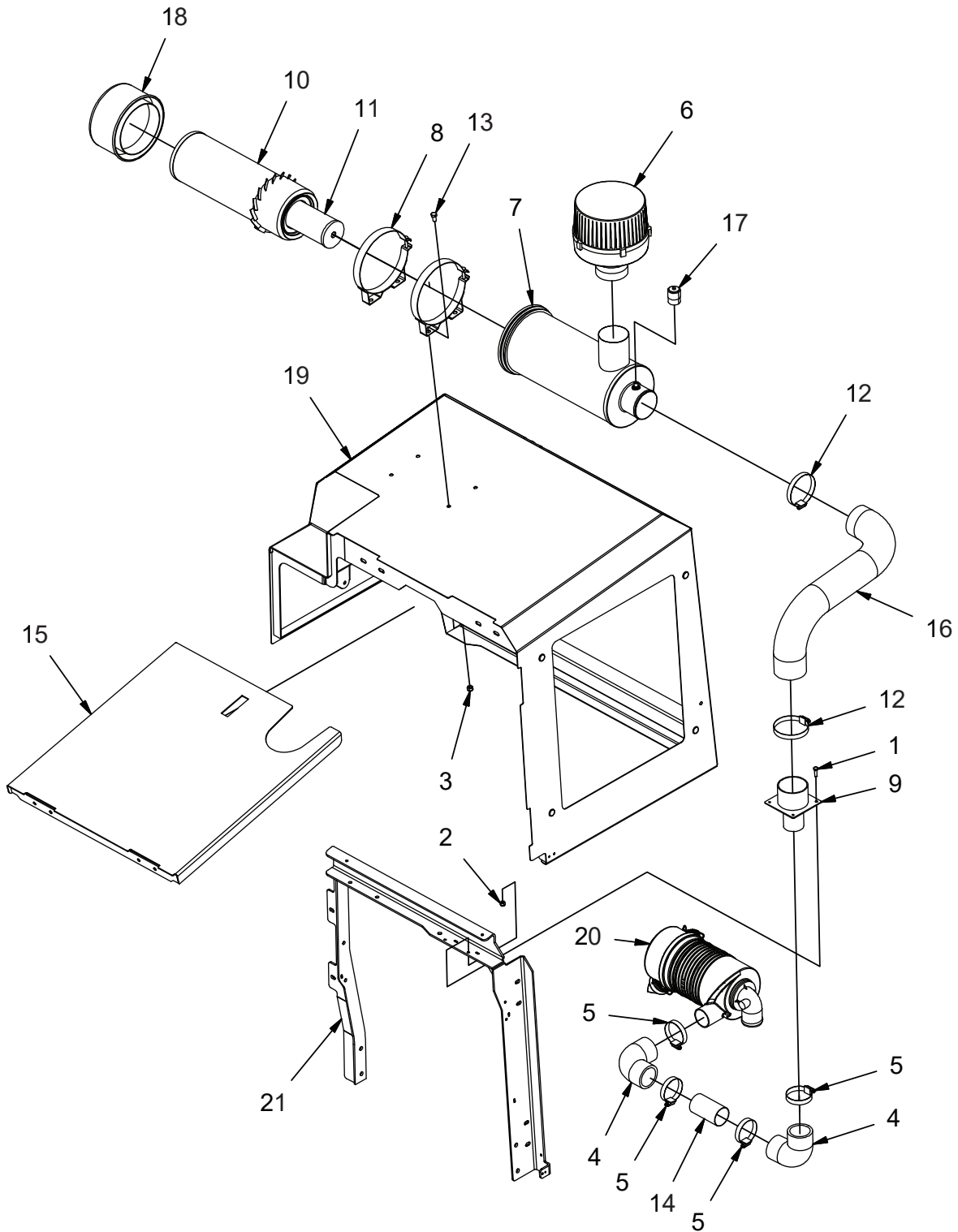
OPTION - TURN SIGNALS AND FOUR WAY FLASHER GROUP (600026)



OPTION - TURN SIGNALS AND FOUR WAY FLASHER GROUP (600026)

Parts List - 600026			
ITEM	PART #	QTY	DESCRIPTION
1	600114	2	SPACER, .328 B .498 OD .500 ,SS
2	600151	1	GROMMET, .63 ID .88 OD .25 T
3	620136	2	SCR-HH 8-32 X 1.25 ZP
4	620161	2	BRACKET, REAR AUX LIGHT MOUNT
5	690535-1	2	ASSY, AMBER LED 5", FRONT TURN SIGNAL
7	711210	2	SCR-HH 1/4-20 X 1.25 ZP GR 5 FULL THRD
8	711228	2	SCR-HH 5/16-18 X .75 ZP GR 5
9	711372	4	NUT-NYLOC 8-32 ZP
10	711374	2	NUT-NYLOC 5/16-18 ZP
11	711425	2	NUT-FLANGED WIZZ 1/4-20 ZP
12	747729	1	FLASHER, 3 TERMINAL, 20A, 12V
13	748819	1	HARNESS ASSY, BRAKE LT POWER
14	748821	1	HARNESS ASSY, TAIL LIGHTS
15	748822	1	HARNESS ASSY, BRAKE LT GND
16	748832	1	HARNESS ASSY, TURN LIGHTS
17	748833	1	HARNESS ASSY, TURN LIGHT
18	748834	1	HARNESS ASSY, BRAKE LIGHTS
19	748835	1	HARNESS ASSY, TURN SWITCH GND
20	748836	1	HARNESS ASSY, BRAKE LIGHT
21	748837	1	HARNESS ASSY, FLASHER POWER
22	749040	2	WIRE ASSY, LIGHTS ADAPTOR
23	3302921-1	1	SWITCH ASSY, TURN SIGNAL
24	3303204-2	2	TAIL LIGHT, 12V COMBINATION ASSEMBLY
25	3317161	1	MNT-SWITCH TURN SIGNAL
26	3334618	2	BRKT-TURN SIGNAL OPTION
27	3335380	1	FUSE-25 AMP STD, AUTO
28	3342546	1	SWITCH-12V WHISKER
29	3400071	4	NUT-HEX 1/4-20 ZP GR 5
30	711372	2	NUT-NYLOC 8-32 ZP
31	711506	2	WASHER-FLAT 5/16 X.688 X .065 ZP
32	711502	2	WASHER-FLAT #8 X .438 ZP
33	711544	4	WASHER-LOCK 1/4 SPLIT ZP

OPTION - HEAVY DUTY AIR CLEANER GROUP - DIESEL (600029)

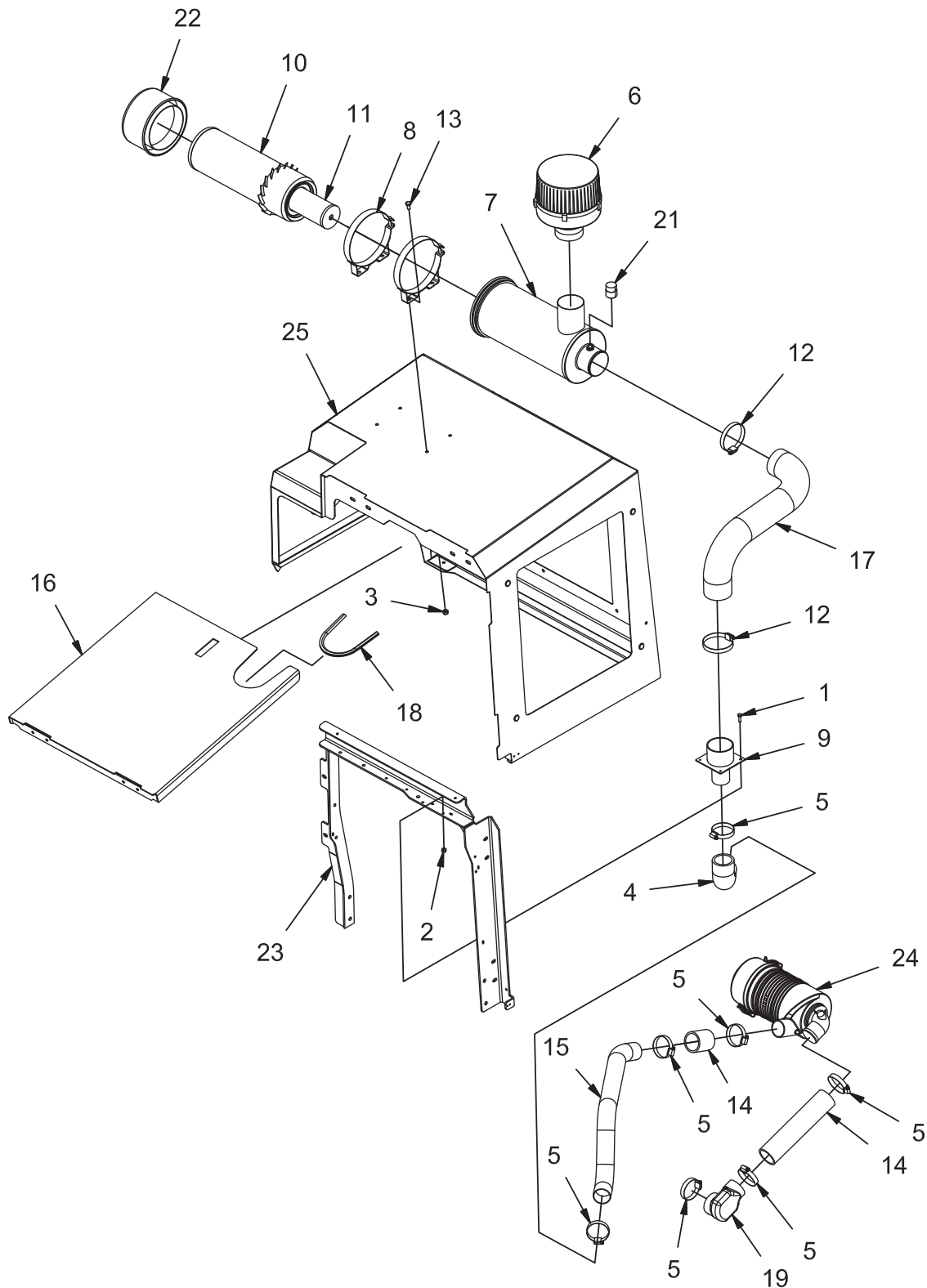


REV A

OPTION - HEAVY DUTY AIR CLEANER GROUP - DIESEL (600029)

Parts List - 600029			
ITEM	PART #	QTY	DESCRIPTION
1	11038098	2	BOLT, M6-100 X 20 HH
2	12040044	2	NUT, M6-1.00 ESN
3	12040051	4	NUT, M8-1.25 ESN
4	3300396	2	ADAPTER, 2" 90
5	3312189	4	CLAMP, HOSE, 2.00
6	3331035	1	PRE-CLEANER
7	3331036	1	HEAVY DUTY AIR CLEANER (WITH FILTER ELEMENT)
8	3331037	2	MOUNT, AIR CLEANER
9	3332508-HA	1	AIR CONNECTOR, 2" - 3"
10	3337852	-	REPLACEMENT FILTER ELEMENT, PRIMARY
11	3337853	-	REPLACEMENT FILTER ELEMENT, SECONDARY
12	3343273	2	CLAMP, HOSE, 3.0 - 3.50
13	3400291	4	BOLT, M8-1.25 X 16 HH
14	620165	1	TUBE, HD AIR INTAKE, DIESEL
15	620166	1	WELDMENT, TOP COVER HD AIR CLEANER
16	620167	1	HOSE, AIR INTAKE, 3"
17	PART OF 3331036	1	INDICATOR, FILTER SERVICE
18	PART OF 3331036	1	CAP, AIR CLEANER
19	REFERENCE	1	ENGINE COVER
20	REFERENCE	1	AIR CLEANER
21	REFERENCE	1	COVER FRAME

OPTION - HEAVY DUTY AIR CLEANER GROUP - GAS (600038)

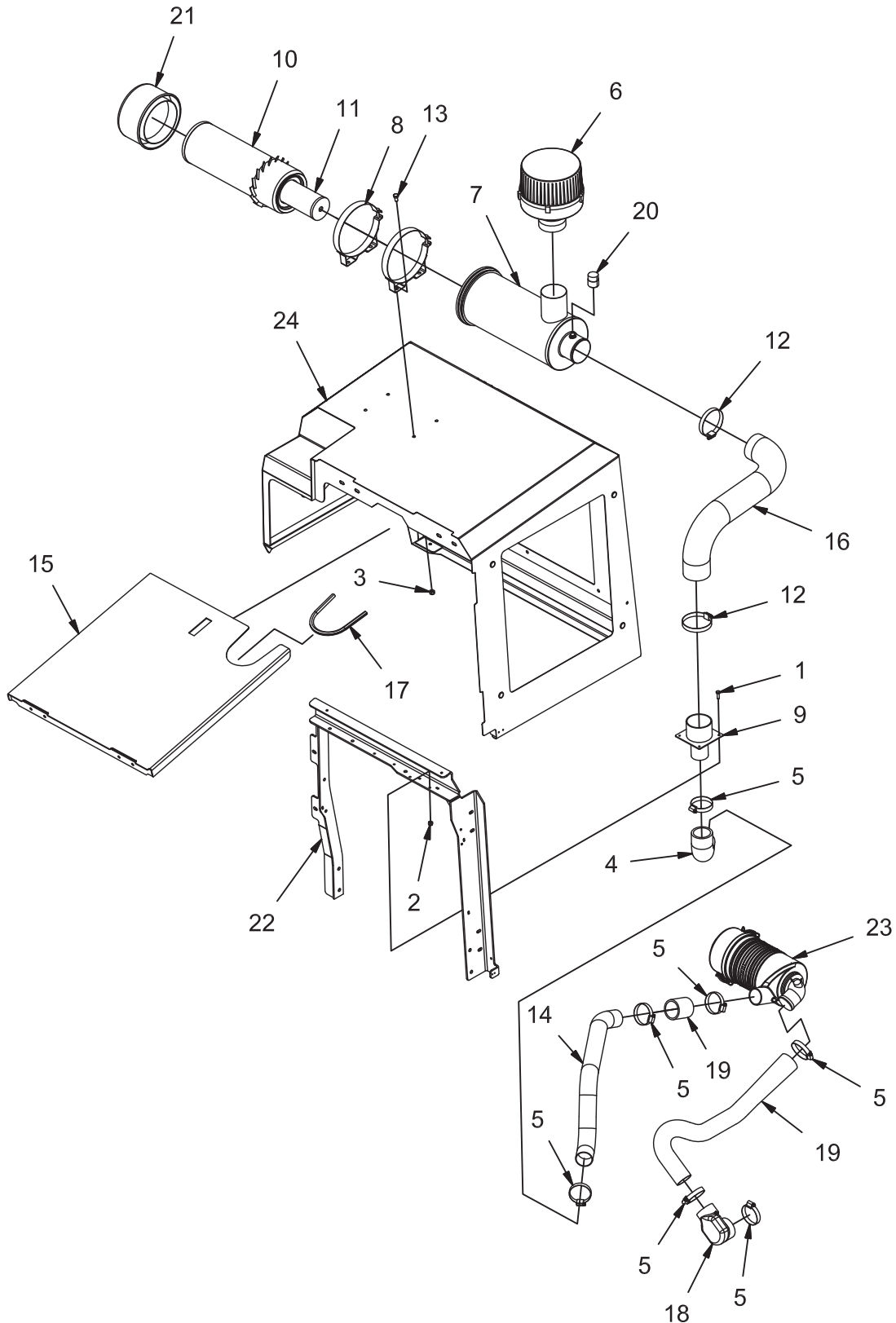


REV A

OPTION - HEAVY DUTY AIR CLEANER GROUP - GAS (600038)

Parts List - 600038			
ITEM	PART NO.	QTY	DESCRIPTION
1	11038098	2	BOLT, M6-100 X 20 HH
2	12040044	2	NUT, M6-1.00 ESN
3	12040051	4	NUT, M8-1.25 ESN
4	3300396	1	ADAPTER, 2" 90
5	3312189	8	CLAMP, HOSE, 2.00
6	3331035	1	PRE-CLEANER
7	3331036	1	HEAVY DUTY AIR CLEANER (WITH FILTER ELEMENTS)
8	3331037	2	MOUNT, AIR CLEANER
9	3332508-HA	1	AIR CONNECTOR' 2" - 3"
10	3337852	-	REPLACEMENT FILTER ELEMENT, PRIMARY
11	3337853	-	REPLACEMENT FILTER ELEMENT, SECONDARY
12	3343273	2	CLAMP, HOSE, 3.0 - 3.50
13	3400291	4	BOLT, M8-1.25 X 16 HH
14	730056	2	HOSE, 2.00 X 2.50
15	620164	1	TUBE, HD AIR INTAKE
16	620166	1	WELDMENT, TOP COVER HD AIR CLEANER
17	620167	1	HOSE, AIR INTAKE, 3"
18	620168	1	EDGING, .125 X 13.44
19	620662	1	COBRA AIR INTAKE
21	PART OF 3331036		INDICATOR, FILTER SERVICE
22	PART OF 3331036		CAP, AIR CLEANER
23	REFERENCE		COVER FRAME
24	REFERENCE		AIR CLEANER
25	REFERENCE		ENGINE COVER

OPTION - HEAVY DUTY AIR CLEANER GROUP - LPG (600039)

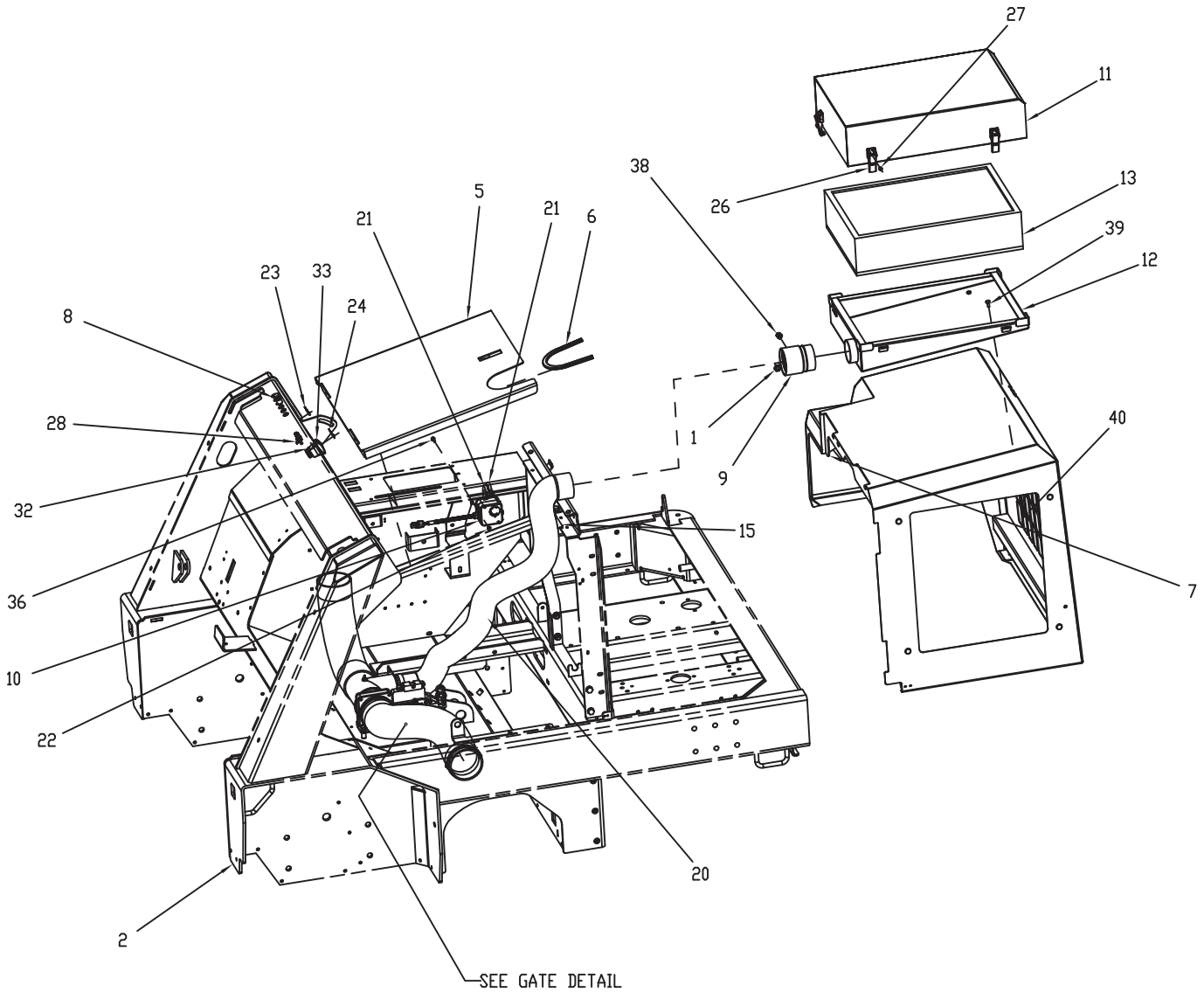


REV A

OPTION - HEAVY DUTY AIR CLEANER GROUP - LPG (600039)

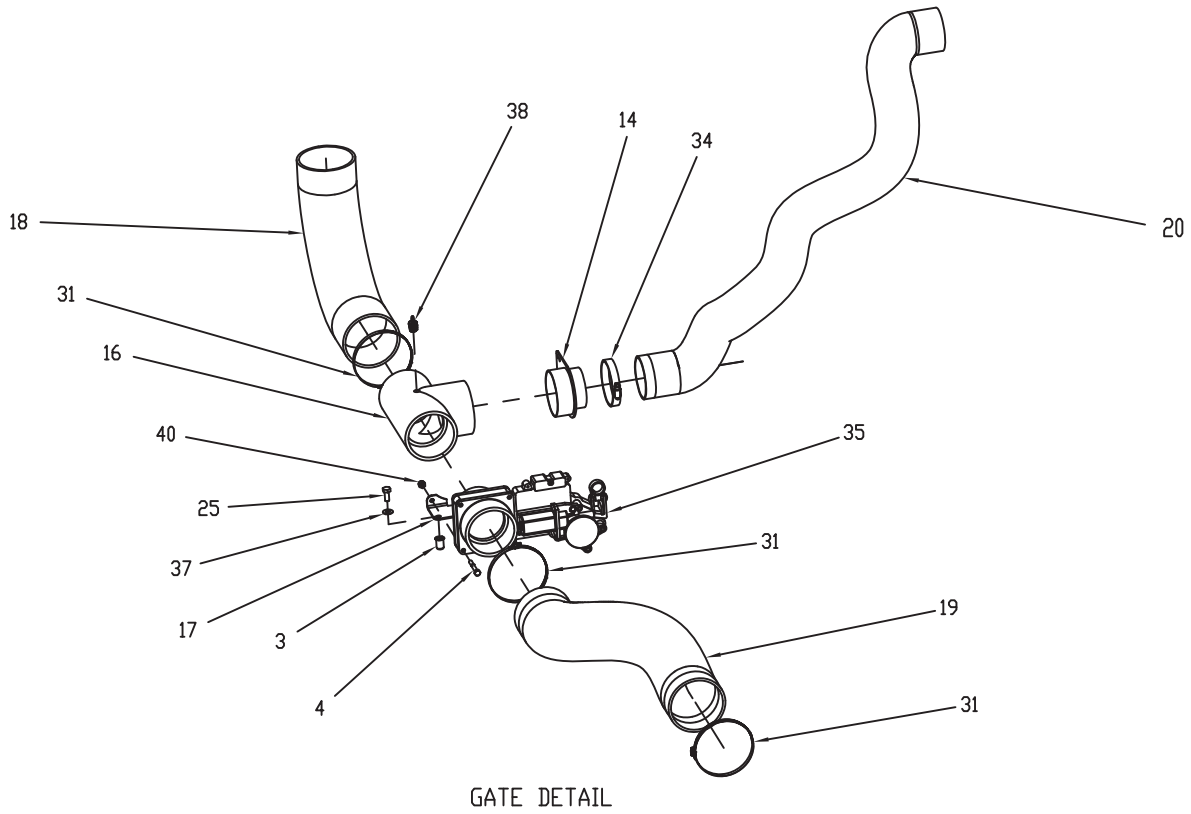
Parts List - 600039			
ITEM	PART NO.	QTY	DESCRIPTION
1	11038098	2	BOLT, M6-100 X 20 HH
2	12040044	2	NUT, M6-1.00 ESN
3	12040051	4	NUT, M8-1.25 ESN
4	3300396	1	ADAPTER, 2" 90
5	3312189	8	CLAMP, HOSE, 2.00
6	3331035	1	PRE-CLEANER
7	3331036	1	HEAVY DUTY AIR CLEANER W/ FILTER ELEMENTS
8	3331037	2	MOUNT, AIR CLEANER
9	3332508-HA	1	AIR CONNECTOR' 2" - 3"
10	3337852	-	REPLACEMENT FILTER ELEMENT, PRIMARY
11	3337853	-	REPLACEMENT FILTER ELEMENT, SECONDARY
12	3343273	2	CLAMP, HOSE, 3.0 - 3.50
13	3400291	4	BOLT, M8-1.25 X 16 HH
14	620164	1	TUBE, HD AIR INTAKE
15	620166	1	WELDMENT, TOP COVER HD AIR CLEANER
16	620167	1	HOSE, AIR INTAKE, 3"
17	620168	1	EDGING, .125 X 13.44
18	620662	1	COBRA AIR INTAKE
19	730056	2	HOSE, 2.00 X 2.50
20	PART OF 3331036	1	INDICATOR, FILTER SERVICE
21	PART OF 3331036	1	CAP, AIR CLEANER
22	REFERENCE	1	COVER FRAME
23	REFERENCE	1	AIR CLEANER
24	REFERENCE	1	ENGINE COVER

OPTION- MERV FILTER, ATLAS (600046)



REV C

OPTION- MERV FILTER, ATLAS (600046)



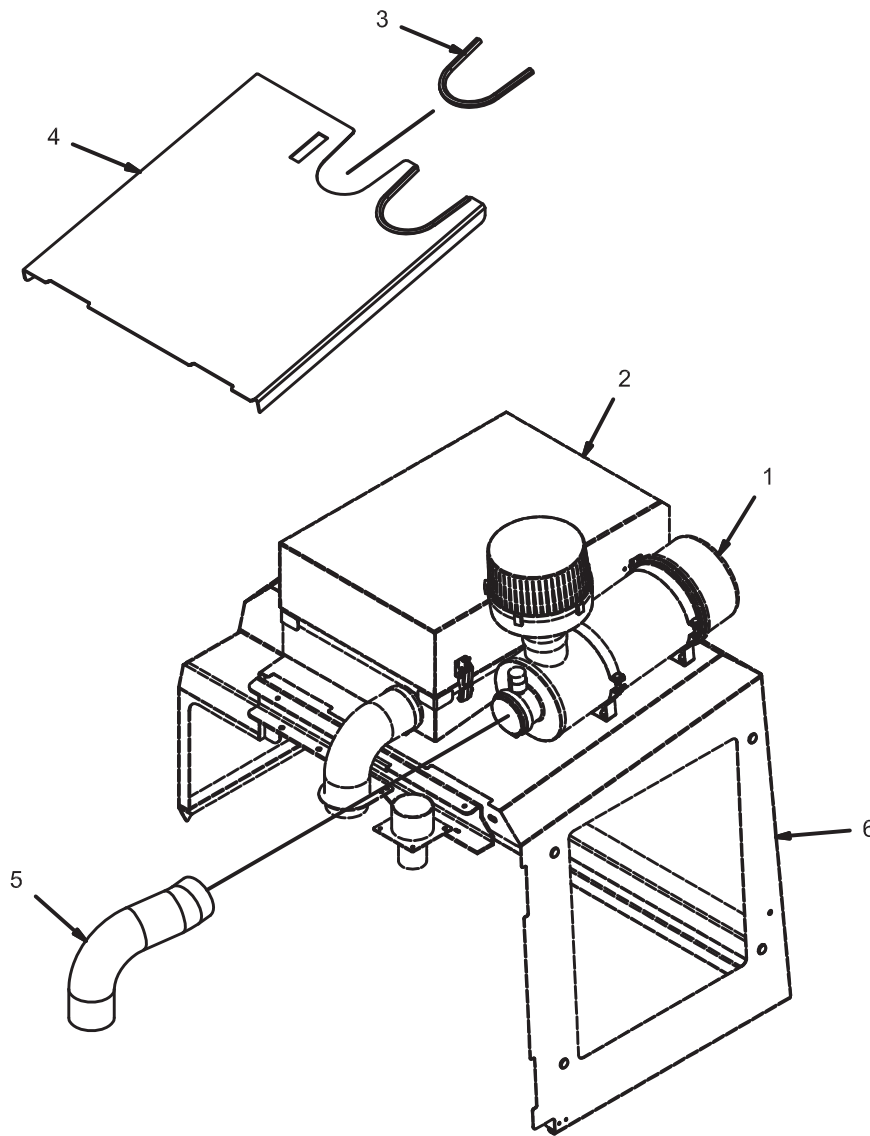
OPTION- MERV FILTER, ATLAS (600046)

Parts List - 600046			
ITEM	PART NO.	QTY	DESCRIPTION
1	260183	1	NUT 1/4 NPT NYLON, HALF
2	REFERENCE	1	ASSEMBLY FRAME
3	600852	2	INSERT-M8-1.25 .188 GRIP ZP
4	600953	2	SCR-HH M6-1.00 X 50 SS
5	620166	1	WELDMENT, TOP COVER, HD AIR CLEANER
6	620168	1	EDGING, .125 X 13.44 IN
7	REFERENCE	1	WELDMENT, ENGINE COVER, ORANGE
8	620778-1	1	LIGHT, INDICATOR, RED LED
9	650168	1	CUFF-HOSE 3.00 CORR TO 3.00 OPEN-SHORT
10	690083-2	1	HARN ASSY, SWITCH, DIFF PRESS, MERV
11	690636	1	WELDMENT, FILTER COVER
12	690640	1	WELDMENT, FILTER BASE
13	690642	1	FILTER, MERV 17
14	690645	1	WELDMENT, HOSE ADAPTER
15	690648	1	EDGING, 3/16 X 4.0"
16	690662-1	1	MERV FILTER TEE
17	690663	1	MOUNT, VALVE
18	690666	1	HOSE, 4.00 IMPELLER TO VALVE
19	690667	1	HOSE, 4.00 VALVE TO FRAME
20	690669	1	HOSE, 3.00 FILTER, 9 FT
21	690671	2	TUBING, .313 ID REINFORCED
22	711350	2	NUT-NYLOC 10-32
23	715092	1	DECAL - HEPA CLOG FILTER INDICATOR
24	715096	1	DECAL - HEPA CLOG FILTER INDICATOR

OPTION- MERV FILTER, ATLAS (600046)

Parts List - 600046			
ITEM	PART NO.	QTY	DESCRIPTION
25	717024	2	SCR-HH M8-1.25 X 20 ZP GRADE 8.8
26	730652	4	LATCH, UNDER CENTER
27	730654	8	RIVET-BLIND 5/32 .125 GRIP SS
28	748020	1	CONNECTOR, PACKARD 2 COND MALE
29	748872	1	HARNESS, MERV CLOG FILTER
30	748873	1	HARNESS ASSY, MERV FILTER
31	3300351	3	HOSE CLAMP 4 1/2
32	3332713	1	SWITCH-DOUBLE SCRUB BROOM
33	3342273	1	SWITCH COVER-BLACK, CLEAR LENS
34	3343273	1	CLAMP-HOSE 3.5 SS
35	3345044-1	1	VALVE, ACTUATED GATE, 12 VDC
36	3400044	2	SCR-HH 10-32 X .75 ZP SERR FLANGE
37	3400384	2	WASHER CONICAL SPRING 5/16
38	3401672	2	FTG-ADAPTER 1/8 HB BRASS X 1/4 MPT
39	11038072	4	BLT-HH M6-1.0 x 16 STL ZINC
40	12040044	6	NUT-NYLOC M6 X 1.0 ZP CLASS 6

OPTION- MRV FLTR, USED W/HVY DTY AIR CLNR (600047)

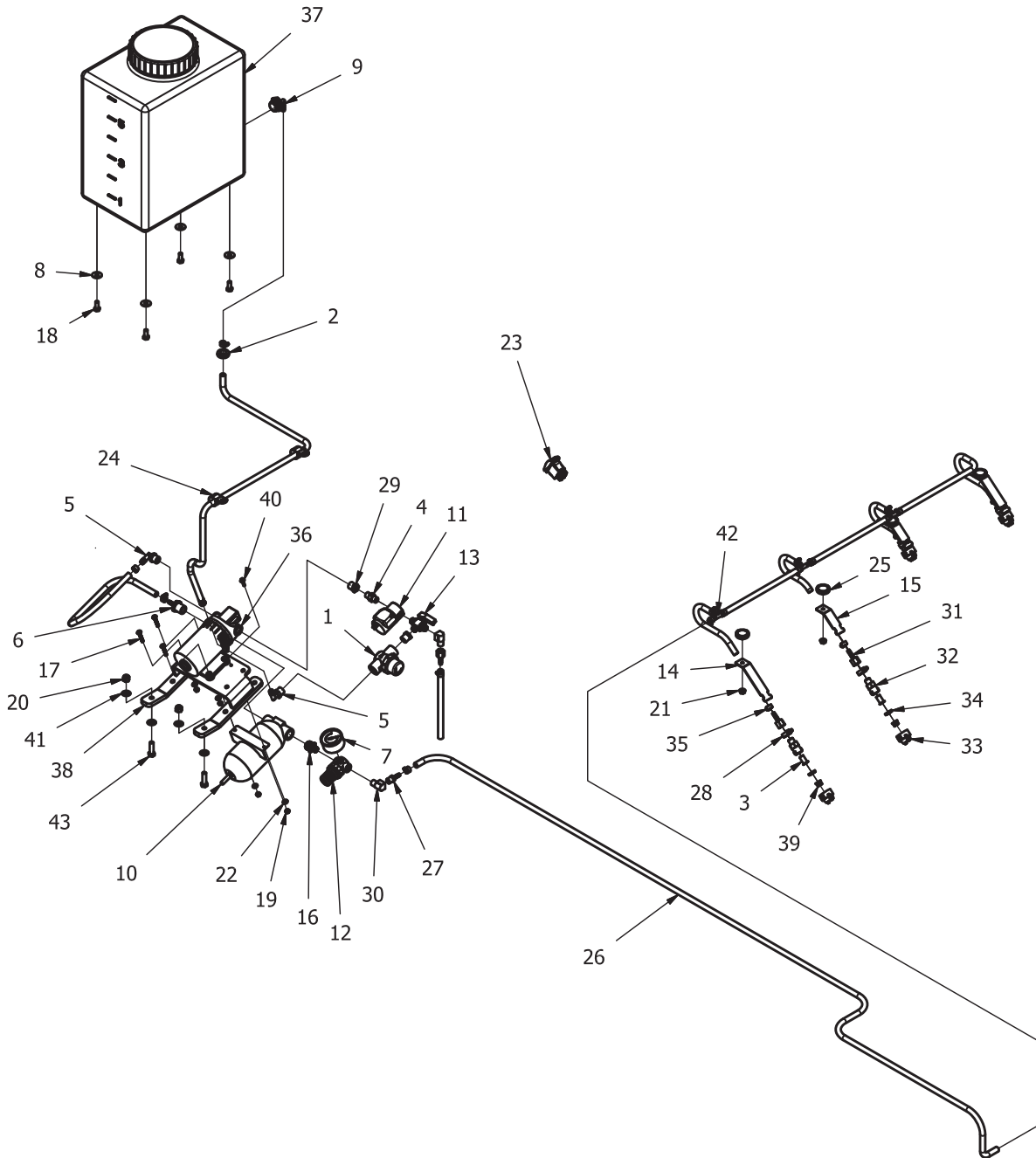


REV A

OPTION- MRV FLTR, USED W/HVY DTY AIR CLNR (600047)

Parts List - 600047			
ITEM	PART NO.	QTY	DESCRIPTION
1	600039	1	OPT- HEAVY DUTY AIR CLEAN GRP LPG, KUBOT
2	600046	1	OPT- MERV FILTER, ATLAS
3	620168	1	EDGING, .125 X 13.44 IN
4	690659	1	WELDMENT, TOP COVER, DUAL OPT
5	690672	1	HOSE, 3" X 14.00
6	REFERENCE	1	ENGINE COVER

OPTION - ATLAS DUST SUPPRESSION, DUAL (620737)



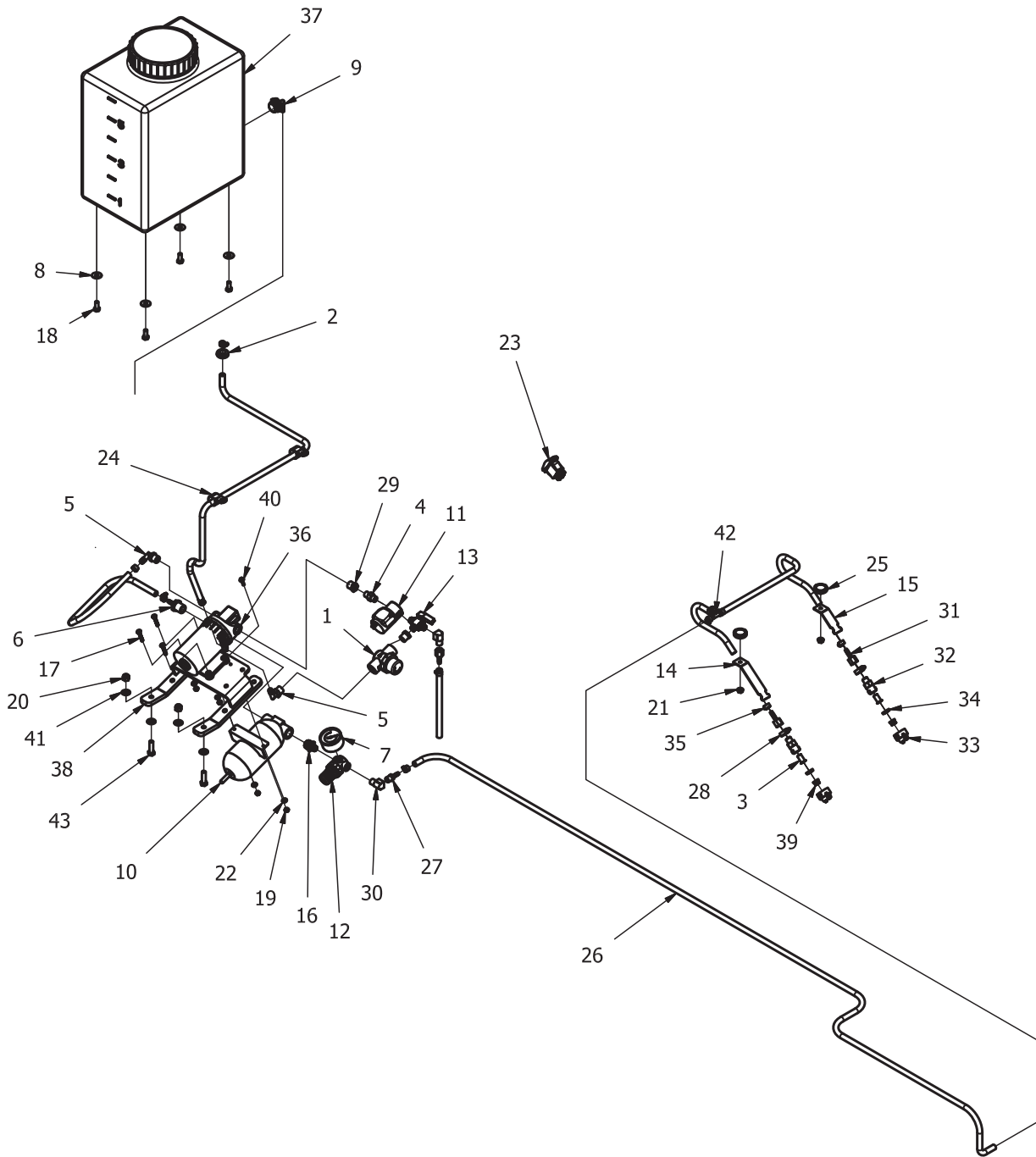
REV A

OPTION - ATLAS DUST SUPPRESSION, DUAL (620737)

Parts List - 620737			
ITEM	PART #	QTY	DESCRIPTION
1	173158	1	IN-LINE FILTER ASSEMBLY, 3/8 FNPT
2	260274	1	GROMMET Z-421
3	281041	4	VALVE-CHECK
4	450059	1	FITTING BRASS 1/4MPT 1/4MPT
5	450222	2	FTG-ELBOW 90 3/8 MPT X 1/4 HB NYLON
6	500123	1	FTG-ADAPTER 1/2 MPT X 1/4 HB BRASS
7	600183	1	GAUGE 0-60 PSI
8	600940	4	WASHER-FENDER M8 X 24 ZP
9	620268	1	FTG-ELBOW 90 3/4 MPT X 1/4 HB NYLON
10	620277	1	ACCUMULATOR
11	620278-1	1	SOLENOID ASSY, WATER, 1/4 FPT 12V 250PSI
12	620279	1	VALVE-PRES REGULATOR, 1/4 FPT 5-125PSI
13	620280	1	VALVE-CONTROL TEE, 1/4 MPT
14	620735	2	PLATE, MOUNT, NOZZLE, LONG
15	620736	2	PLATE, MOUNT, NOZZLE, SHORT
16	620738	1	FTG-ADAPTER 1/2 MPT TO 1/4 MPT
17	710030	3	SCR-PHMS 10-32 X 1-3/8 SS
18	711228	4	SCR-HH 5/16-18 X .75 ZP GR 5
19	711350	4	NUT-NYLOC 10-32 ZP
20	711380	2	NUT-NYLOC 3/8-16 ZP
21	711425	4	NUT-FLANGED WIZZ 1/4-20 ZP
22	711503	4	WASHER-FLAT #10 X .50 ZP
23	718357	1	SWITCH, CONTURA LEFT, ON/ON

Parts List - 620737			
ITEM	PART #	QTY	DESCRIPTION
24	731146	2	CLAMP - WIRE & TUBE .875/.406 DIA STEEL
25	770137	4	MAGNET, 1.26" OD X .315 THK, 75LB
26	828488	24FT	HOSE-1/4 NYLOBRAID
27	829106	1	FTG-ADAPTER 1/4 MPT X 1/4 HB BRASS
28	829129	4	CLAMP - SCREW .313" to .875" DIA 301SS
29	830708	2	FTG-REDUCER 3/8 MPT X 1/4 FPT BRASS
30	831306	2	FTG-ELBOW 90 ST 1/4 MPT X 1/4 FPT BRASS
31	831327	5	FTG-ADAPTER 1/4 FPT X 1/4 HB BRASS
32	833140	4	CONNECTOR-BODY INLET
33	833141	4	CAP
34	833142	4	GASKET-CAP
35	3302338	19	CLAMP - SCREW .25" to .625" DIA 301SS
36	3331278-1	1	PUMP ASSY-SOLUTION 1.6GPM 60 PSI 12V
37	3337964	1	WATER TANK - 7 GAL W/3/4" FTG
38	3338435	1	WDT - COMPRESSOR MNT
39	3339519	4	NOZZLE, SPRAY TIP 1100050
40	3400044	1	SCR-HH 10-32 X .75 ZP SERR FLANGE
41	712301	4	WASHER-FLAT 3/8 ZP
42	3401683	3	FTG-TEE 1/4 HB X 1/4 HB X 1/4 HB PP
43	3402010	2	SCR-HEX 3/8-16 X 1.25 SS
44	620734	1	HARNESS ASSY, DUST SUPPRESSION
45	740099-B	5	CABLE TIE-SMALL (BLACK)
46	828062-B	15	CABLE TIE-LARGE (BLACK)

OPTION- ATLAS DUST SUPPRESSION, SINGLE (620739)



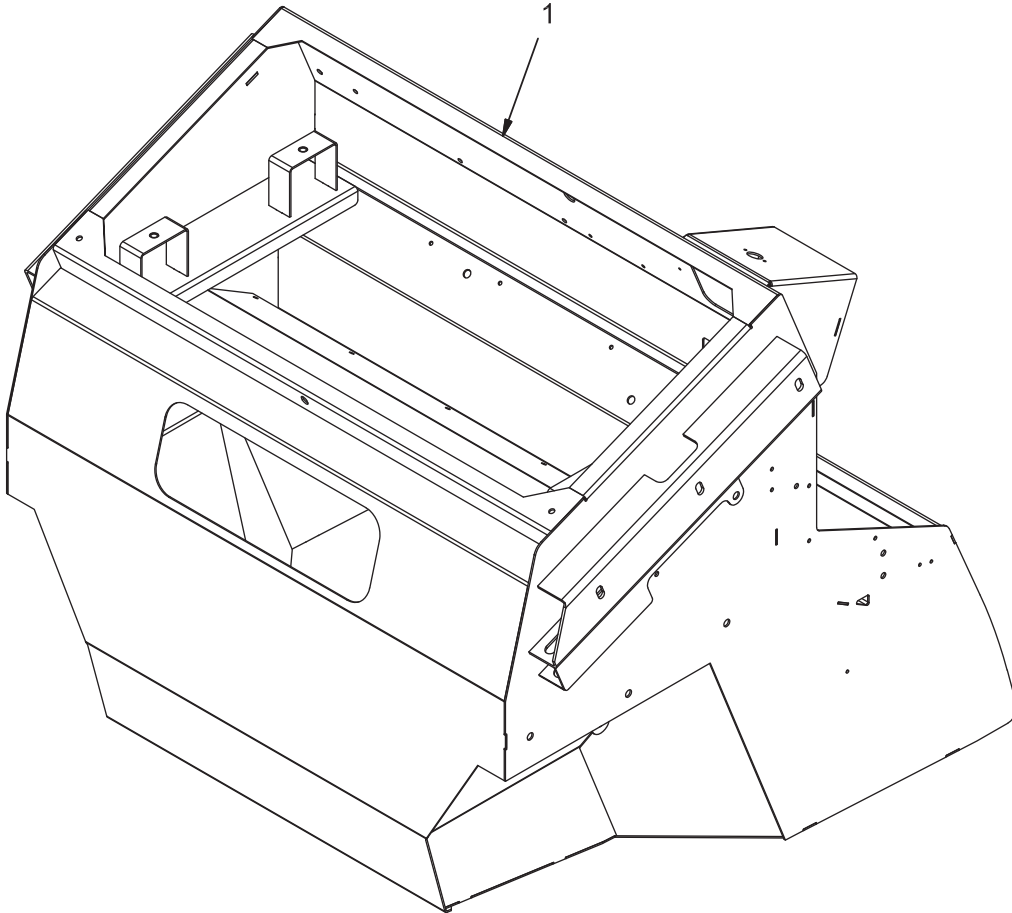
REV *

OPTION- ATLAS DUST SUPPRESSION, SINGLE (620739)

Parts List - 620739			
ITEM	PART #	QTY	DESCRIPTION
1	173158	1	IN-LINE FILTER ASSEMBLY, 3/8 FNPT
2	260274	1	GROMMET Z-421
3	281041	2	VALVE-CHECK
4	450059	1	FITTING BRASS 1/4MPT 1/4MPT
5	450222	2	FTG-ELBOW 90 3/8 MPT X 1/4 HB NYLON
6	500123	1	FTG-ADAPTER 1/2 MPT X 1/4 HB BRASS
7	600183	1	GAUGE 0-60 PSI
8	600940	4	WASHER-FENDER M8 X 24 ZP
9	620268	1	FTG-ELBOW 90 3/4 MPT X 1/4 HB NYLON
10	620277	1	ACCUMULATOR
11	620278-1	1	SOLENOID ASSY, WATER, 1/4 FPT 12V 250PSI
12	620279	1	VALVE-PRES REGULATOR, 1/4 FPT 5-125PSI
13	620280	1	VALVE-CONTROL TEE, 1/4 MPT
14	620735	1	PLATE, MOUNT, NOZZLE, LONG
15	620736	1	PLATE, MOUNT, NOZZLE, SHORT
16	620738	1	FTG-ADAPTER 1/2 MPT TO 1/4 MPT
17	710030	3	SCR-PHMS 10-32 X 1-3/8 SS
18	711228	4	SCR-HH 5/16-18 X .75 ZP GR 5
19	711350	4	NUT-NYLOC 10-32 ZP
20	711380	2	NUT-NYLOC 3/8-16 ZP
21	711425	2	NUT-FLANGED WIZZ 1/4-20 ZP
22	711503	4	WASHER-FLAT #10 X .50 ZP
23	718357	1	SWITCH, CONTURA LEFT, ON/ON

Parts List - 620739			
ITEM	PART #	QTY	DESCRIPTION
24	731146	2	CLAMP - WIRE & TUBE .875/.406 DIA STEEL
25	770137	2	MAGNET, 1.26" OD X .315 THK, 75LB
26	828488	24	HOSE-1/4 NYLOBRAID
27	829106	1	FTG-ADAPTER 1/4 MPT X 1/4 HB BRASS
28	829129	2	CLAMP - SCREW .313" to .875" DIA 301SS
29	830708	2	FTG-REDUCER 3/8 MPT X 1/4 FPT BRASS
30	831306	2	FTG-ELBOW 90 ST 1/4 MPT X 1/4 FPT BRASS
31	831327	3	FTG-ADAPTER 1/4 FPT X 1/4 HB BRASS
32	833140	2	CONNECTOR-BODY INLET
33	833141	2	CAP
34	833142	2	GASKET-CAP
35	3302338	11	CLAMP - SCREW .25" to .625" DIA 301SS
36	3331278-1	1	PUMP ASSY-SOLUTION 1.6GPM 60 PSI 12V
37	3337964	1	WATER TANK - 7 GAL W/3/4" FTG
38	3338435	1	WDT - COMPRESSOR MNT
39	3339519	2	NOZZLE, SPRAY TIP 1100050
40	3400044	1	SCR-HH 10-32 X .75 ZP SERR FLANGE
41	712301	4	WASHER-FLAT 3/8 ZP
42	3401683	1	FTG-TEE 1/4 HB X 1/4 HB X 1/4 HB PP
43	3402010	2	SCR-HEX 3/8-16 X 1.25 SS
44	620734	1	HARNESS ASSY, DUST SUPPRESSION
45	740099-B	5	CABLE TIE-SMALL (BLACK)
46	828062-B	15	CABLE TIE-LARGE (BLACK)

OPTION - STANDARD HOPPER WITH RHINO LINING GROUP (600703)

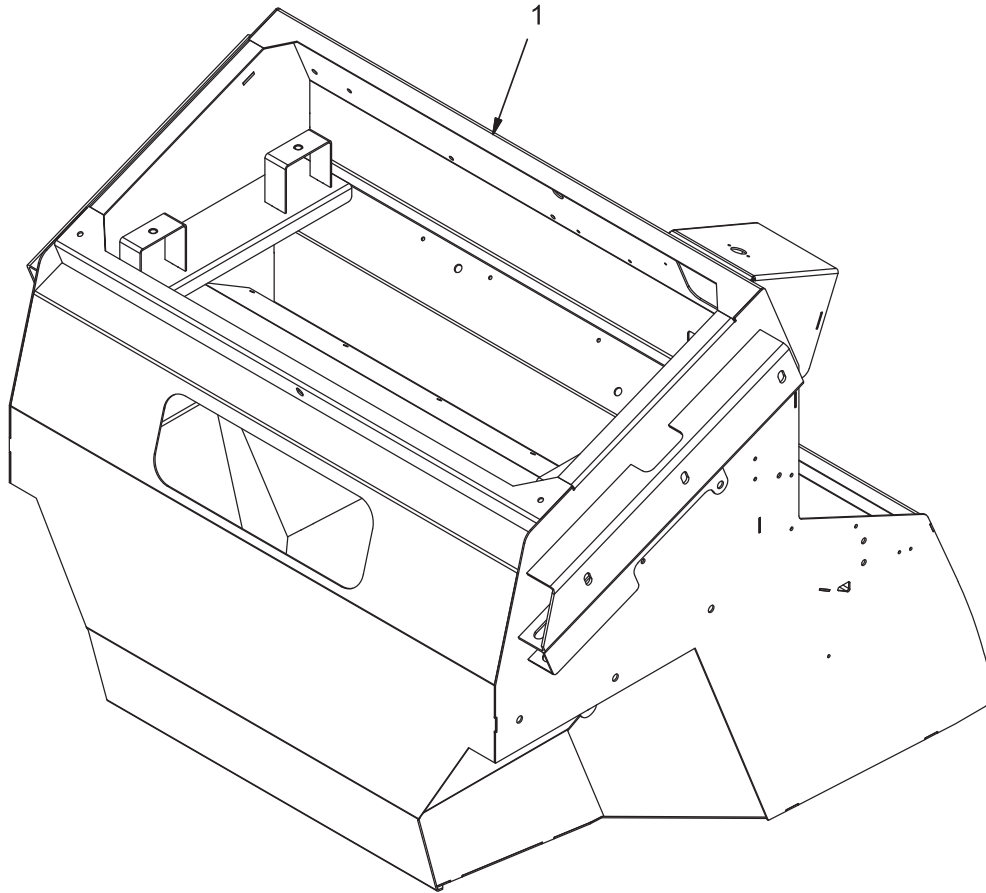


REV A

OPTION - STANDARD HOPPER WITH RHINO LINING GROUP (600703)

Parts List - 600703			
ITEM	PART NO.	QTY	DESCRIPTION
1	600703-LIN	1	HOPPER WITH RHINO LINING

OPTION - DUAL SIDE BROOM HOPPER WITH RHINO LINING GROUP (600704)



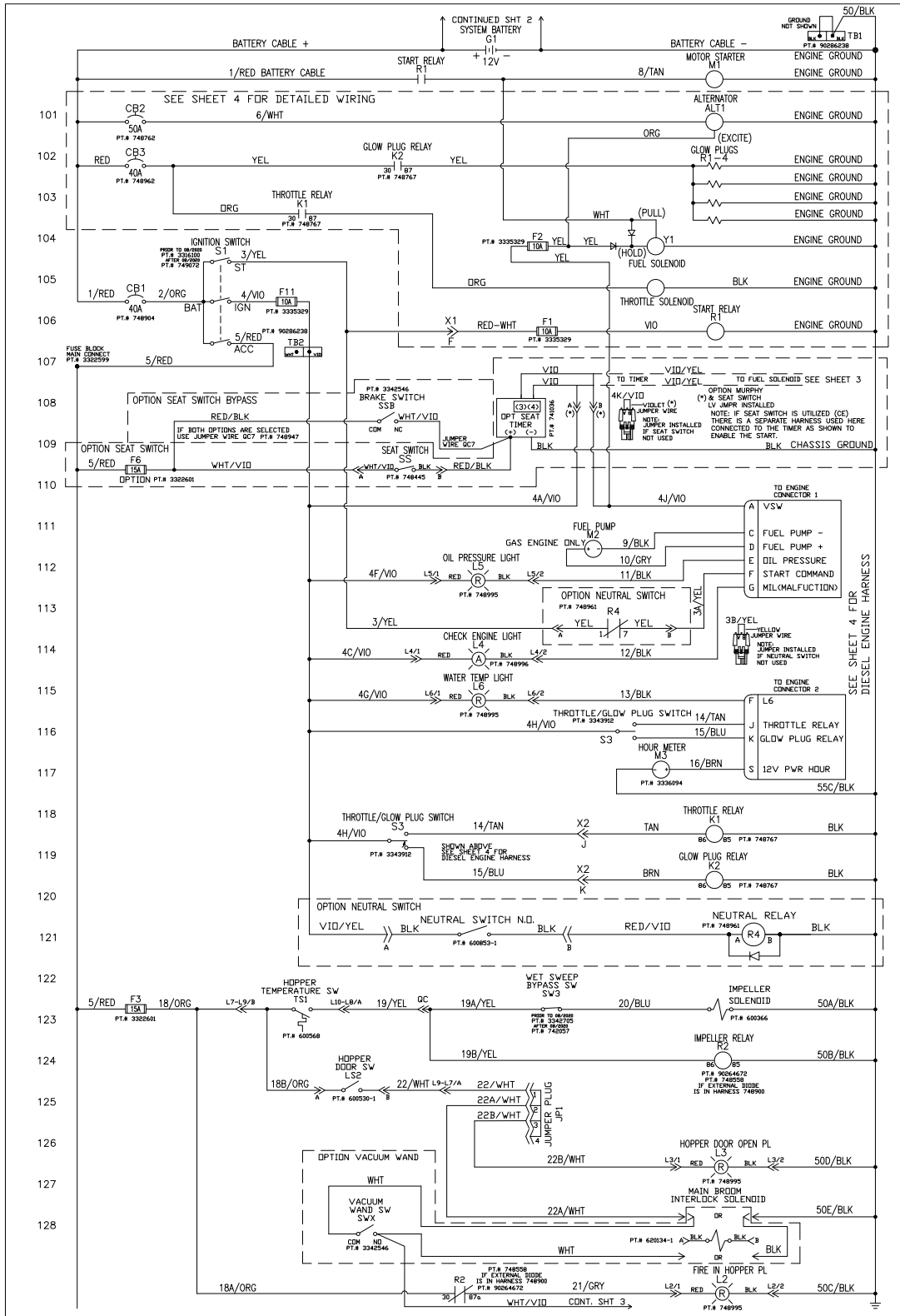
REV A

OPTION - DUAL SIDE BROOM HOPPER WITH RHINO LINING GROUP (600704)

Parts List - 600704			
ITEM	PART NO.	QTY	DESCRIPTION
1	600704-LIN	1	DUAL SIDE BROOM HOPPER WITH RHINO LINING

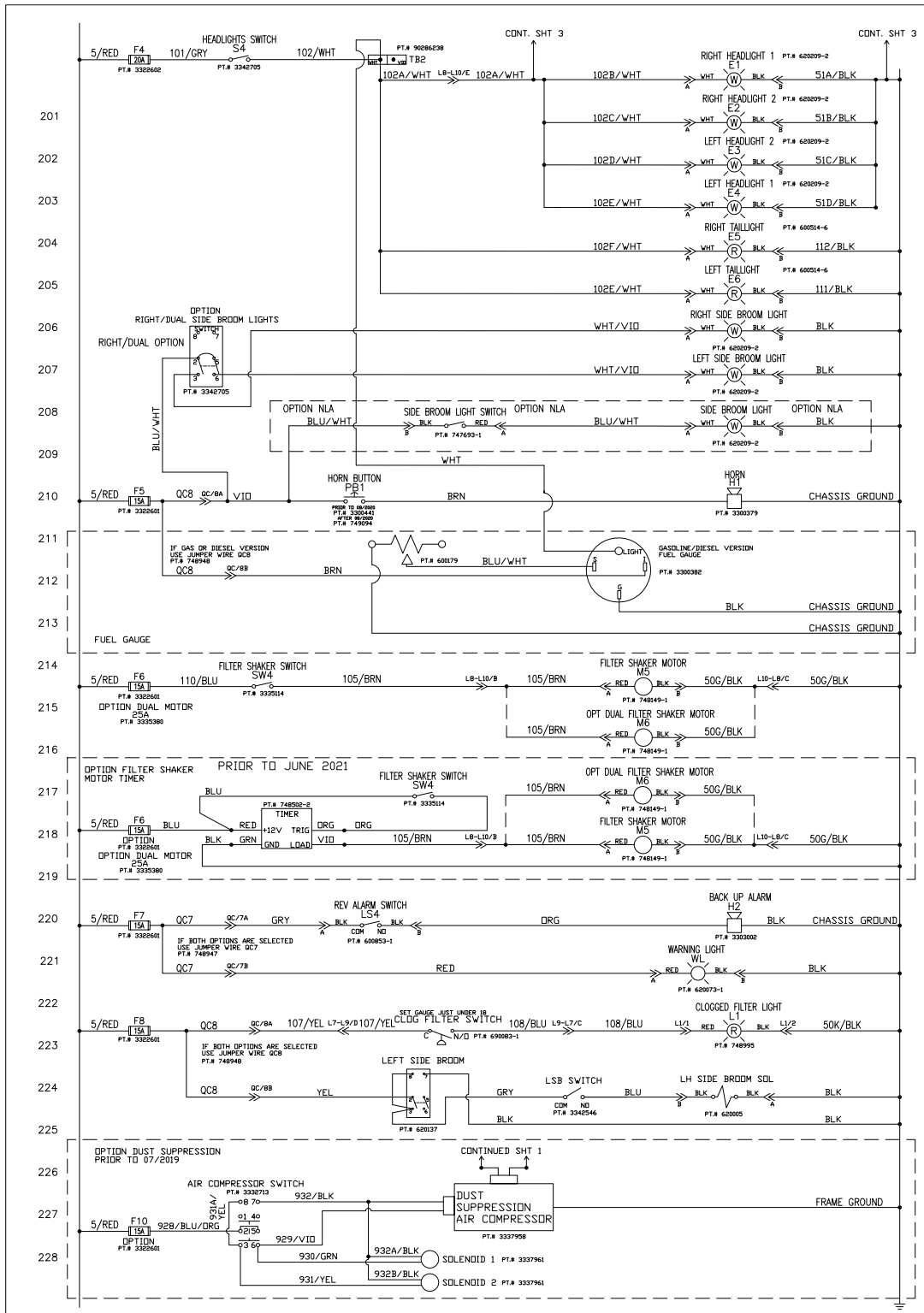
LAYOUTS - ELECTRICAL/HYDRAULIC

ATLAS ELECTRICAL SCHEMATIC LAYOUT - DIESEL



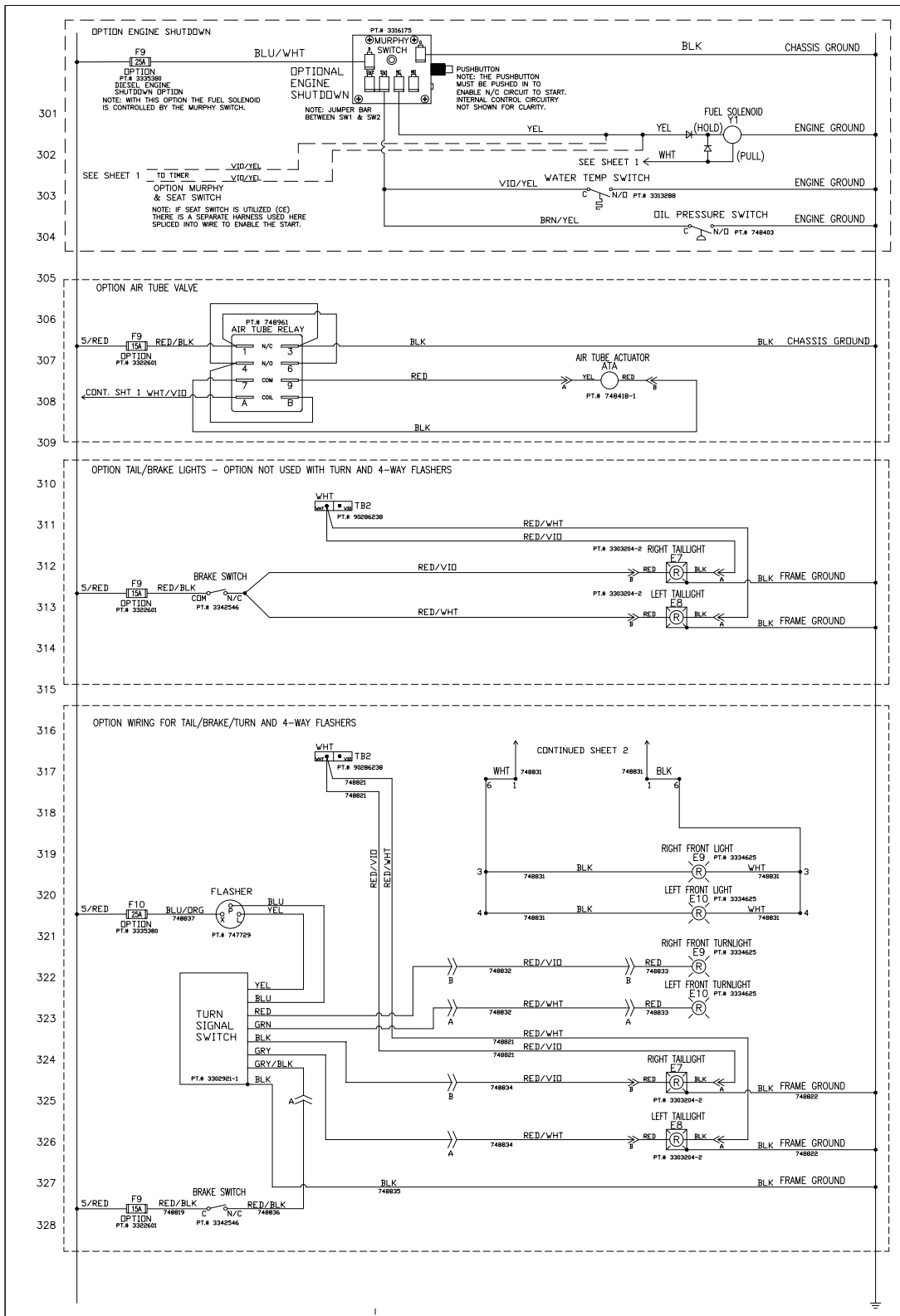
3397503 P1, REV J
06/28/2021

ATLAS ELECTRICAL SCHEMATIC LAYOUT - DIESEL



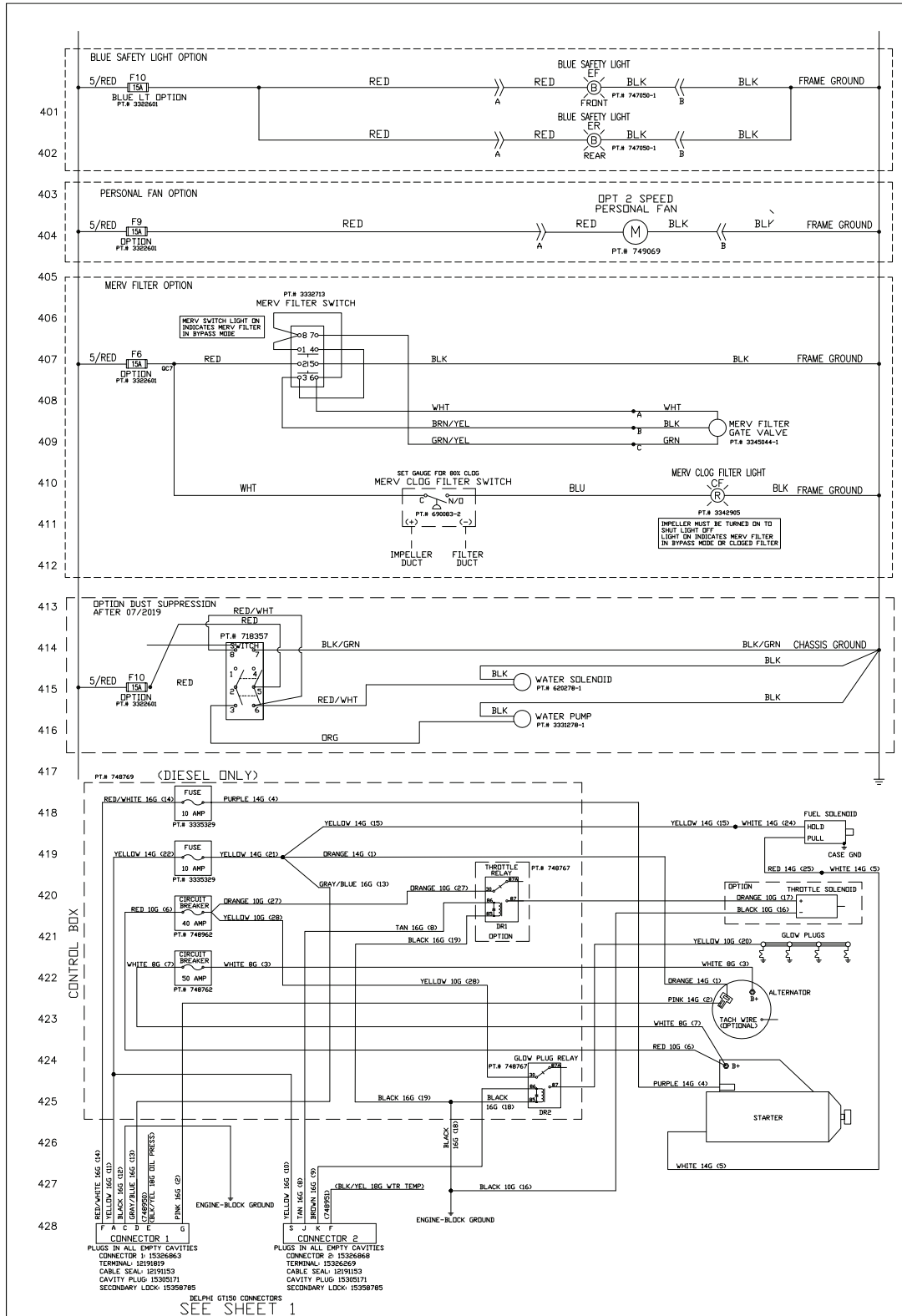
3397503 P2, REV J
06/28/2021

ATLAS ELECTRICAL SCHEMATIC LAYOUT - DIESEL



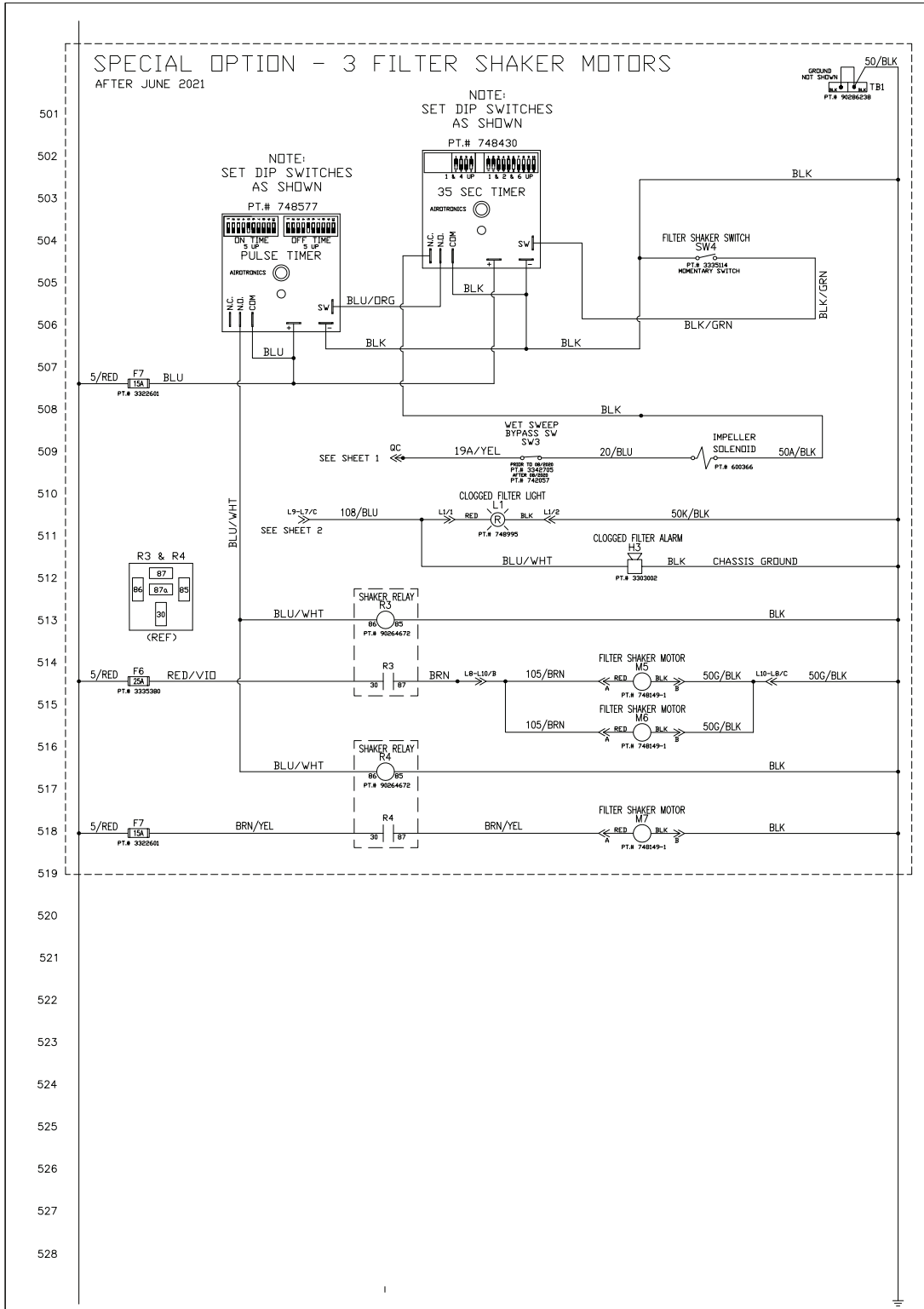
3397503 P3, REV J
06/28/2011

ATLAS ELECTRICAL SCHEMATIC LAYOUT - DIESEL

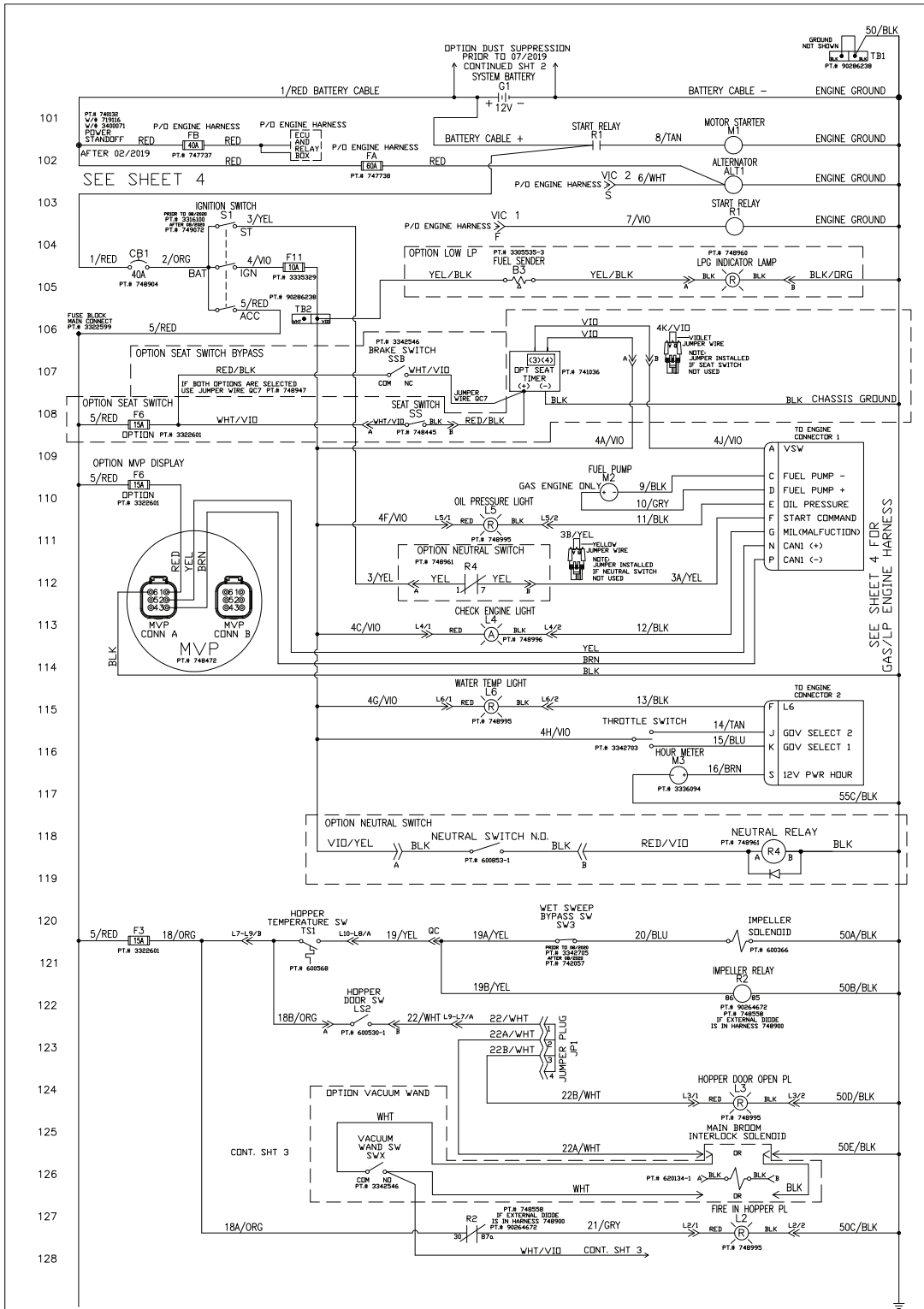


3397503 P4, REV J
06/28/2021

ATLAS ELECTRICAL SCHEMATIC LAYOUT - DIESEL

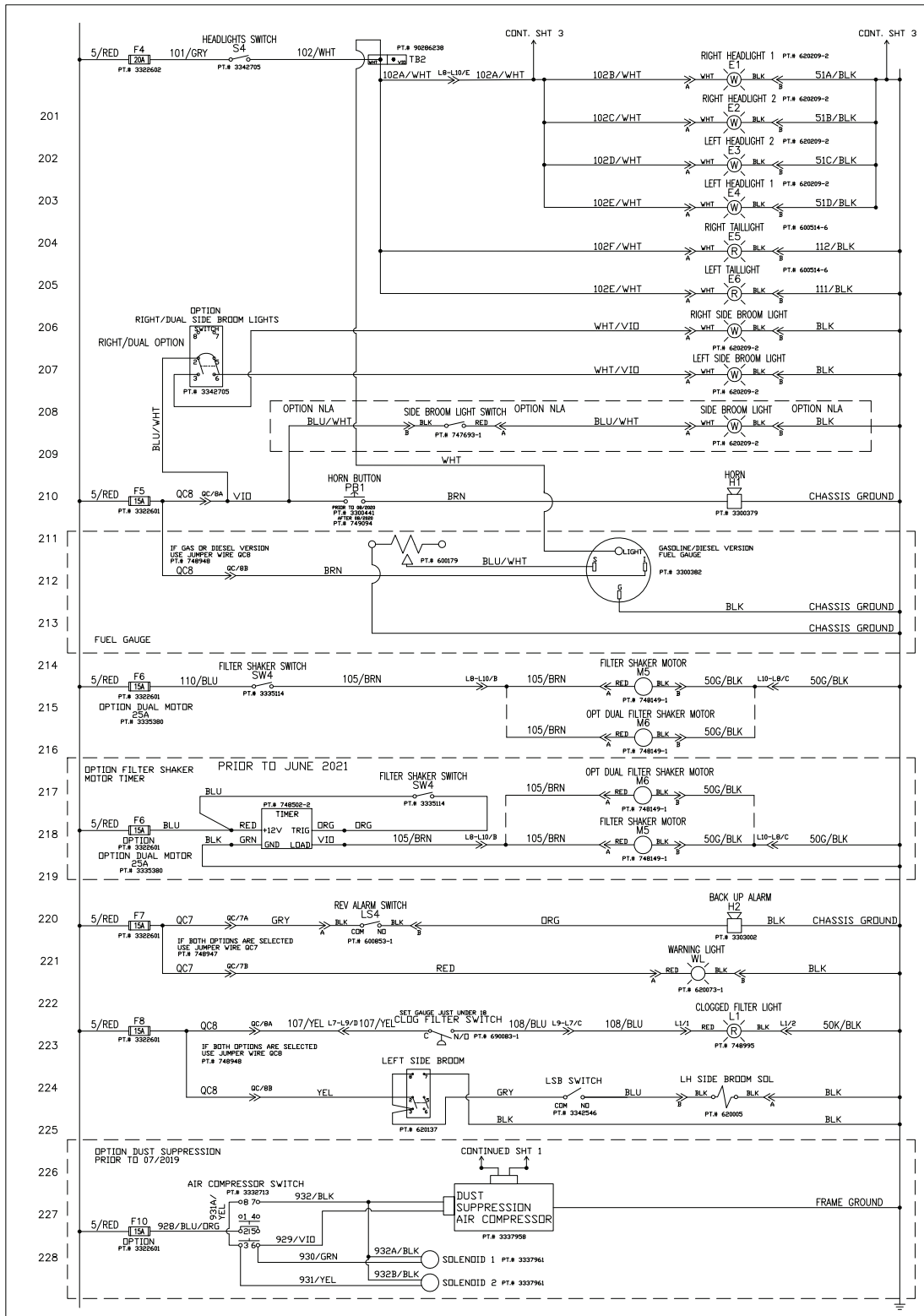


ATLAS ELECTRICAL SCHEMATIC LAYOUT - GAS & LPG



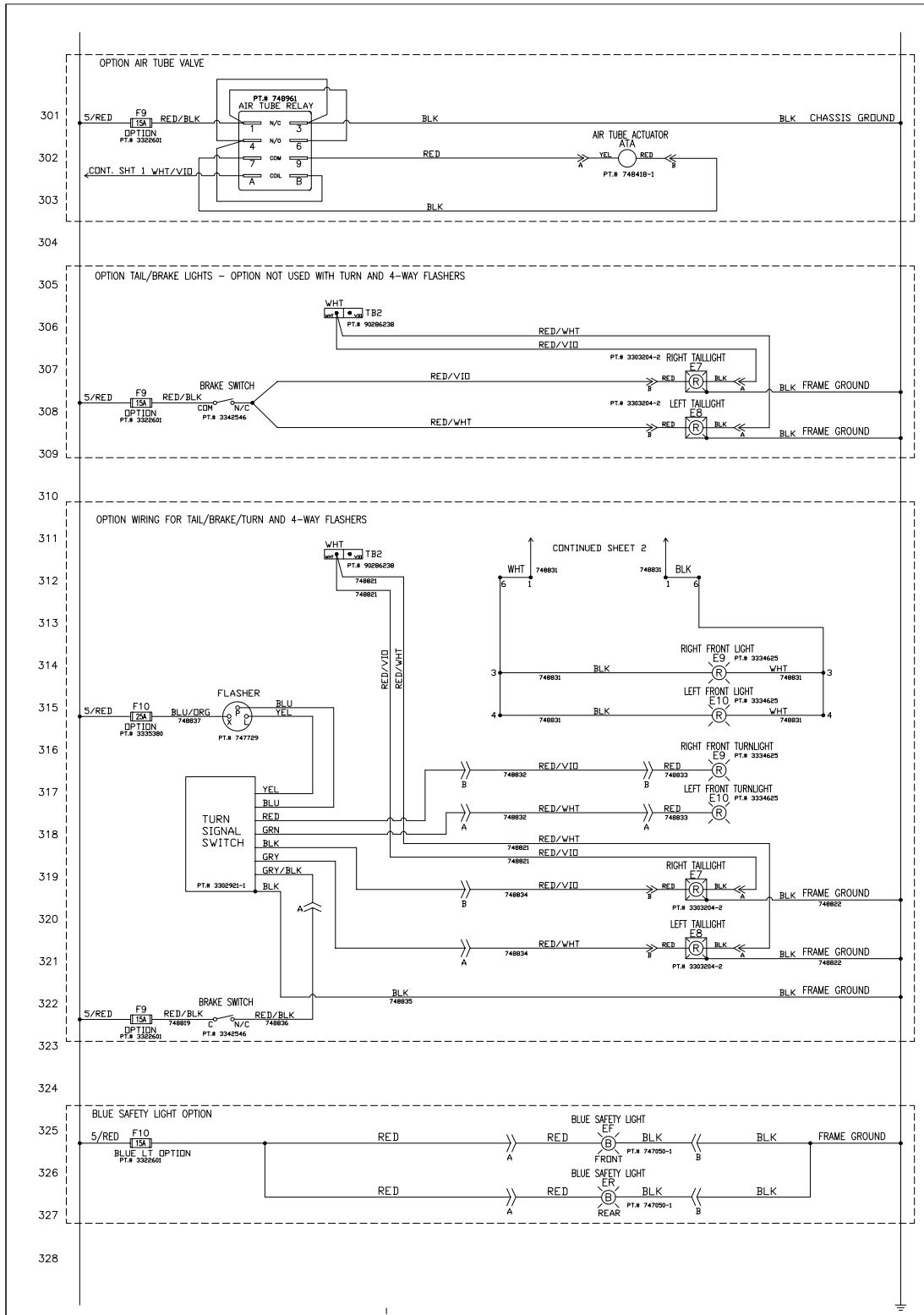
3397500 P1, REV J
06/28/2021

ATLAS ELECTRICAL SCHEMATIC LAYOUT - GAS & LPG



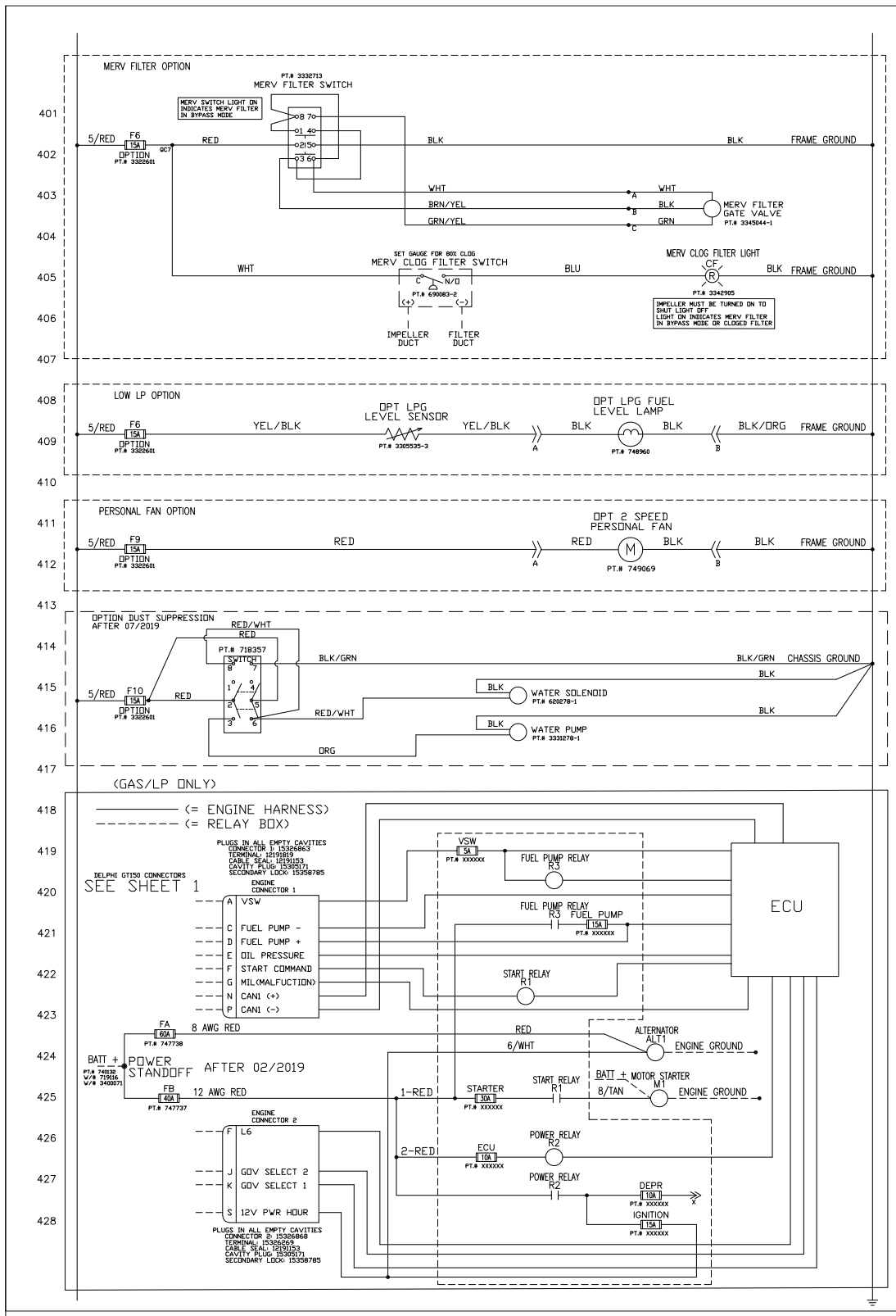
3397500 P2, REV J
06/28/2021

ATLAS ELECTRICAL SCHEMATIC LAYOUT - GAS & LPG



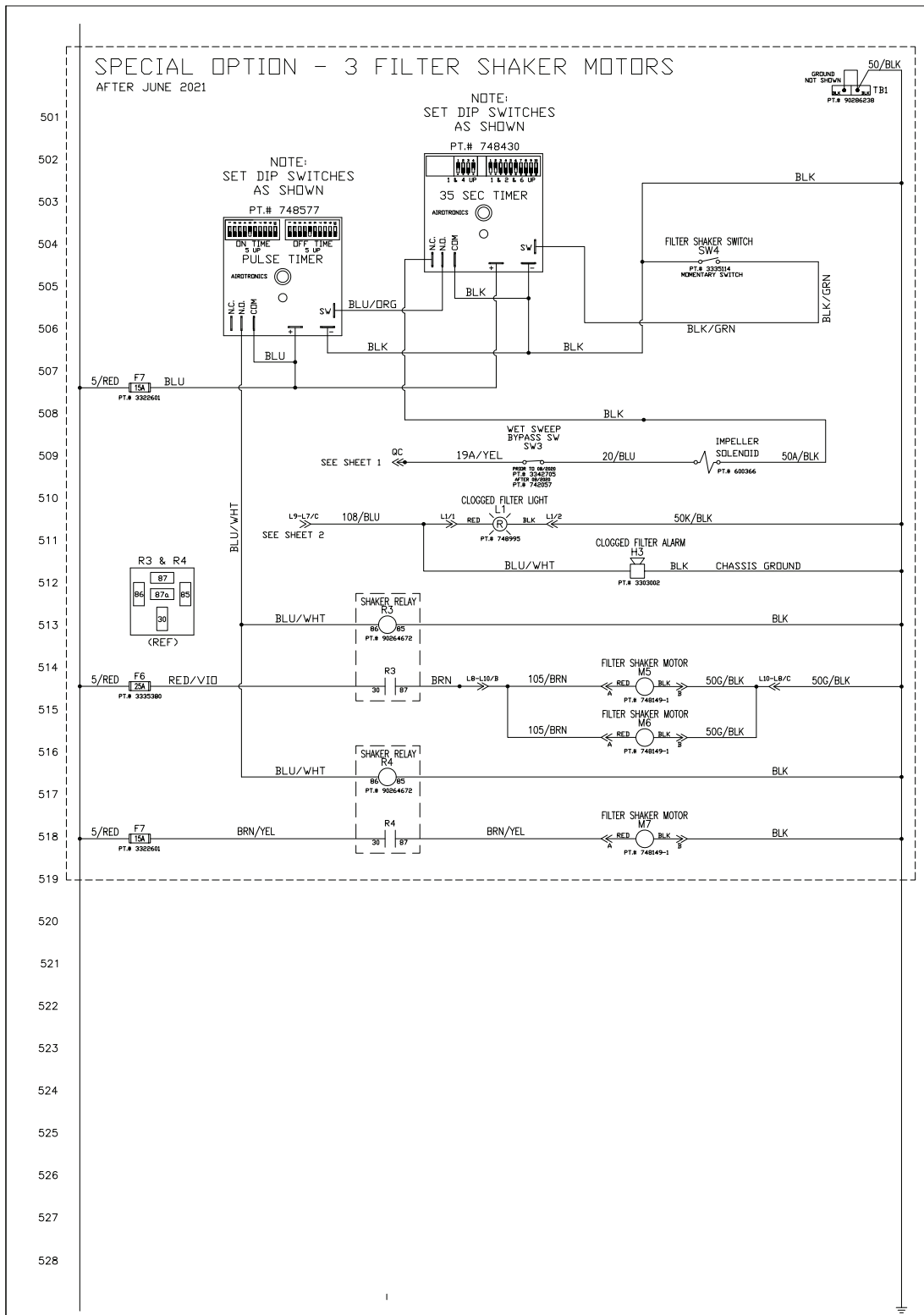
3397500 P3, REV J
06/28/2021

ATLAS ELECTRICAL SCHEMATIC LAYOUT - GAS & LPG



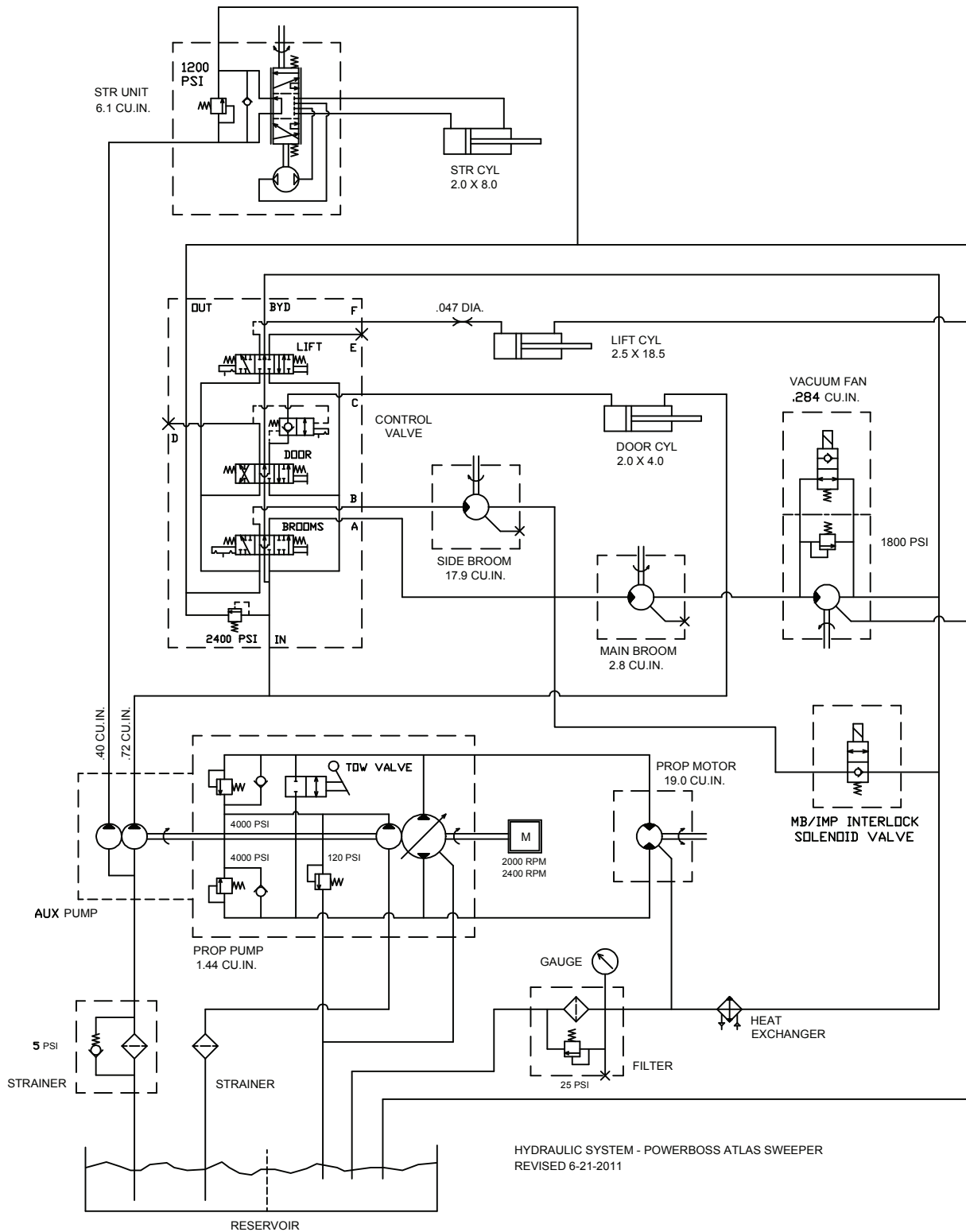
3397500 P4, REV J
06/28/2021

ATLAS ELECTRICAL SCHEMATIC LAYOUT - GAS & LPG



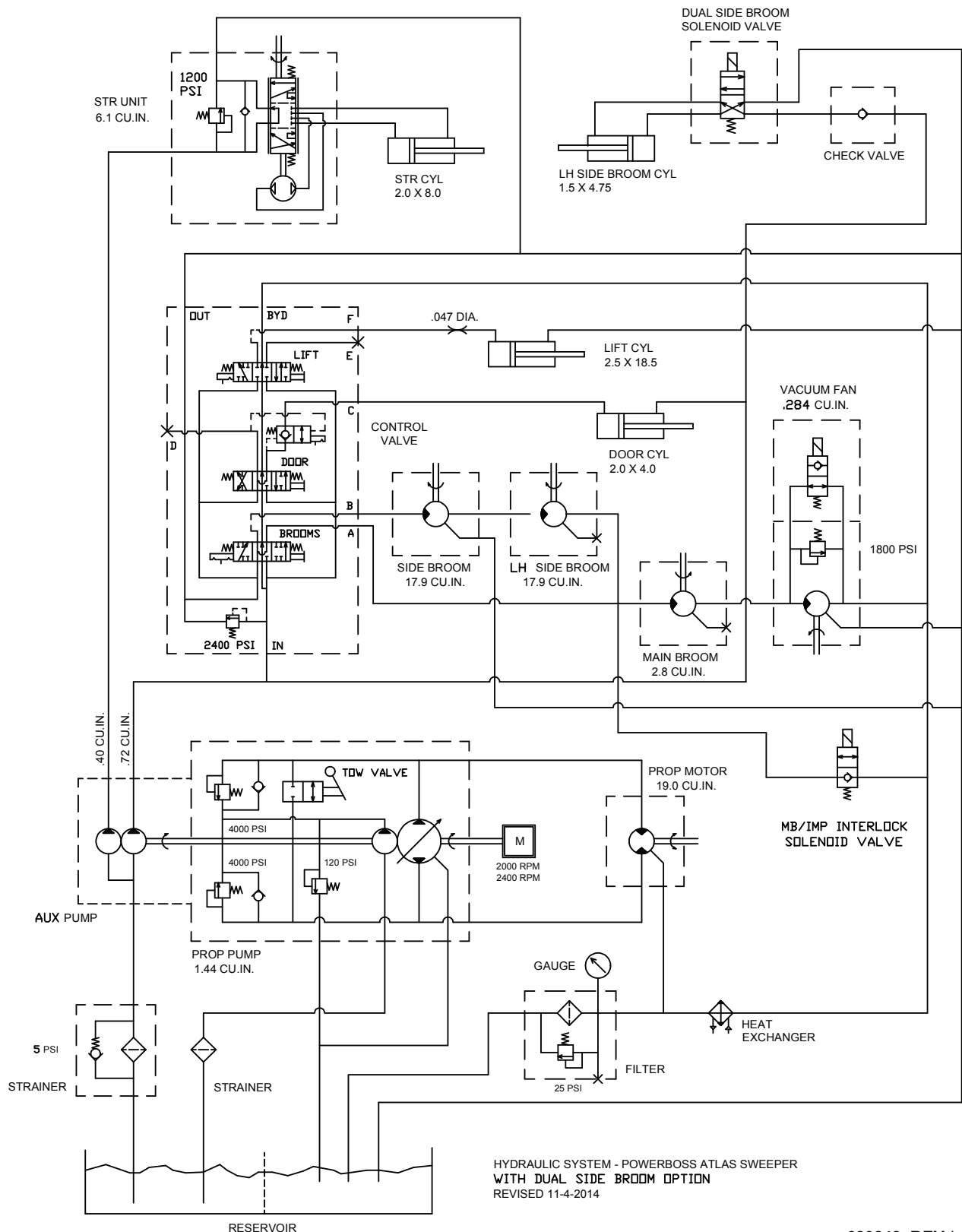
3397500 P5, REV J
06/28/2021

ATLAS HYDRAULIC SYSTEM LAYOUT



620247, REV *
06-21-2011

ATLAS HYDRAULIC SYSTEM LAYOUT WITH DUAL SIDE BROOM



620248, REV *
11-04-2011

PowerBoss®
The Power of Clean

“The Power of Clean”

**PowerBoss® is a Full Line Manufacturer of Sweepers and Scrubbers,
for Industrial Facilities.**

PowerBoss®, Minuteman International, Inc. 14N845 U.S. Route 20 Pingree Grove, Illinois 60140
Phone: 800-323-9420 www.PowerBoss.com Email: tech@powerboss.com
A Member of the Hako Group

Atlas Sweeper #4100053 Rev. R 02/24

PowerBoss® Copyright 2011-2015